

Ordering Code: EL10G-242404-OI

10G BASE SINGLE PORT TRANSFORMER

- Compliant with IEEE 802.3 standard.
- Cable interface for isolation and low common mode emissions.
- RoHS compliant
- Operating temperature range:-40°C to +85°C.
- Storage temperature range:-40°C to +125°C.

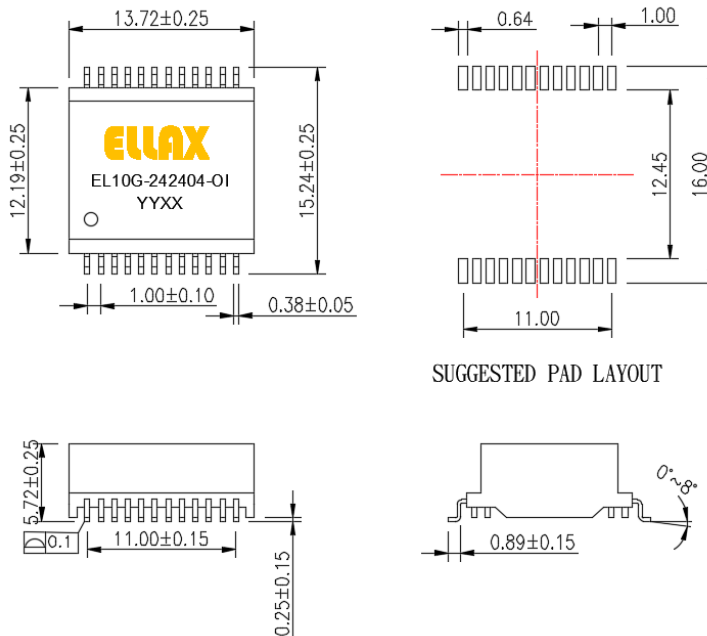
Electrical Specifications @ 25°C

Part Number	Turns Ratio (±2%)	OCL(μH Min) @100KHz/0.1V	Insertion Loss (dB Max)			DCMR (dB Min)		HI-POT (Vrms)
			1MHz-100MHz	200 MHz	500 MHz	1-250 MHz	250-500 MHz	
EL10G-24102-OI	1CT:1CT	120	-0.55	-0.77	-2.0	-30	-22	1500

Continue

Part Number	Return Loss (dB Min)						Cross Talk (dB Min)			CMRR (dB Min)		
	1 MHz	100 MHz	200 MHz	300 MHz	400 MHz	500 MHz	1 MHz	350 MHz	500 MHz	1-100 MHz	100-300 MHz	300-500 MHz
EL10G-24102-OI	-20	-20	-18	-15	-10	-8	-34	-23	-23	-35	-30	-25

Mechanicals:



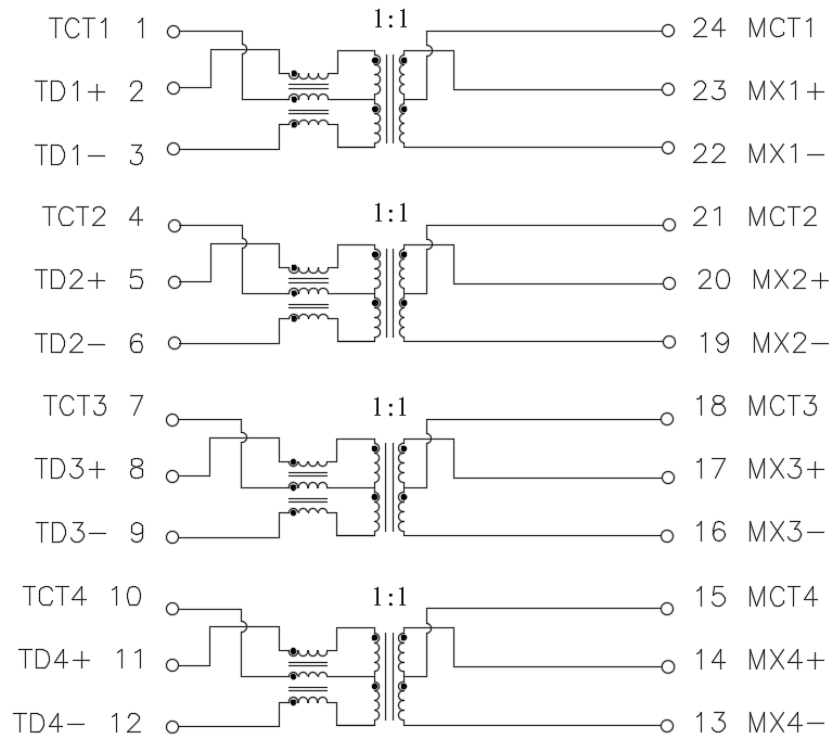
Units:mm Tolerances XX.X0:±0.25mm
0.XX:±0.13mm

Part Number: EL10G-242404-OI

10G BASE SINGLE PORT TRANSFORMER

Page: 2/2

Schematics:



Package:

-300pcs/reel

-1,800/carton