

Ordering Code: EL10G-245418-OI

10G BASE SINGLE PORT TRANSFORMER

- Design for 10G Base-T application, meet IEEE802.3 standard.
- RoHS compliant and Halogen Free.
- Operating temperature range:-20°C to +105°C.
- Storage temperature range:-40°C to +85°C.

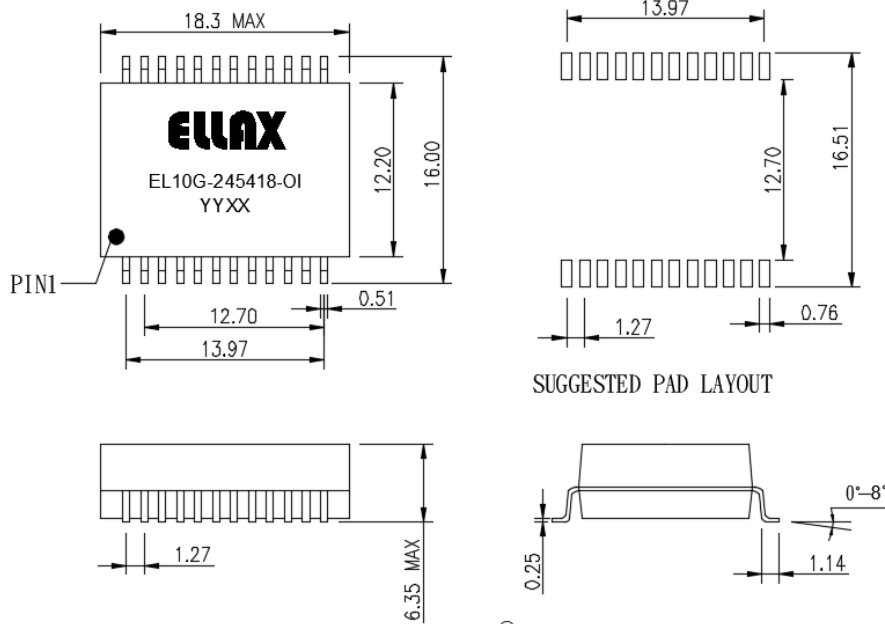
**Electrical Specifications @ 25°C**

Part Number	Turns Ratio (±2%)	OCL(μH Min) @100KHz/0.1V	Insertion Loss (dB Max)		DCMR (dB Min)		HI-POT (Vrms)
			1-150 MHz	200-400 MHz	1-250 MHz	250-500 MHz	
EL10G-245418-OI	1CT:1CT	160	-1.0	-2.0	-30	-22	1500

**Continue**

Part Number	Return Loss (dB Min)				Cross Talk (dB Min)		CMRR (dB Min)		
	1-100 MHz	200-300 MHz	400 MHz	500 MHz	1-100 MHz	100-500 MHz	1-100 MHz	100-300 MHz	300-500 MHz
EL10G-245418-OI	-18	-12	-11	-8	-40	-30	-35	-30	-25

**Mechanicals:**



Units:mm Tolerances XX.X0:±0.25mm  
0.XX:±0.05mm

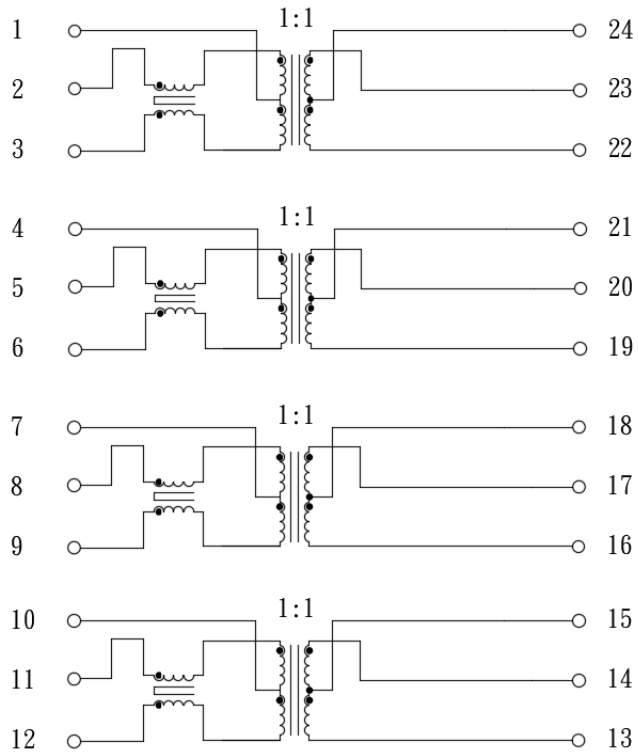
Part Number: EL10G-245418-OI

10G BASE SINGLE PORT TRANSFORMER

Page: 2/2

**Schematics:**

---



**Packing:**

---

-400pcs/Reel

-2,400pcs/Carton