

Ordering Code: EL10G-485003-OS

10G BASE DUAL PORT TRANSFORMER

- Compliant with IEEE 802.3 standard.
- RoHS compliant.
- Operating temperature range:-0°C to +70°C.
- Storage temperature range:-25°C to +85°C.

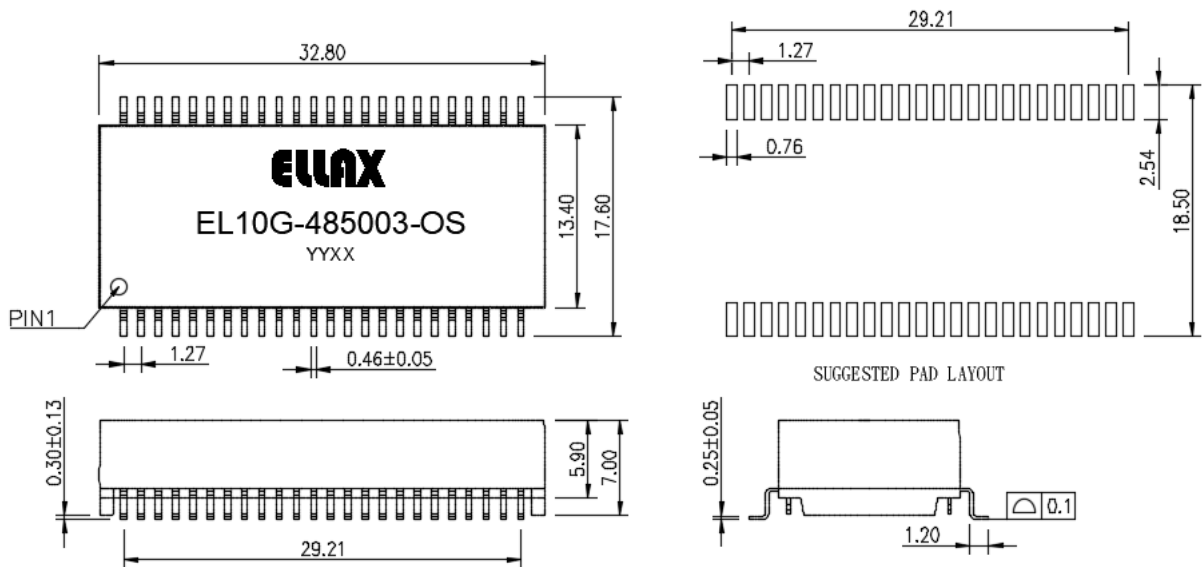
Electrical Specifications @ 25°C

Part Number	Turns Ratio (±2%)	OCL(μH Min) @100KHz/0.1V	Insertion Loss (dB Max)			DCMR (dB Min)		HI-POT (Vrms)
			1-300MHz	400MHz	500MHz	1-250 MHz	250-500 MHz	
EL10G-485003-OS	1CT:1CT	120	-1.0	-1.5	-2.0	-30	-22	1500

Continue

Part Number	Return Loss (dB Min)				Cross Talk (dB Min)	
	1-100MHz	200-300MHz	400MHz	500MHz	1-100 MHz	100-500 MHz
EL10G-485003-OS	-18	-12	-11	-9	-40	-30

Mechanicals:



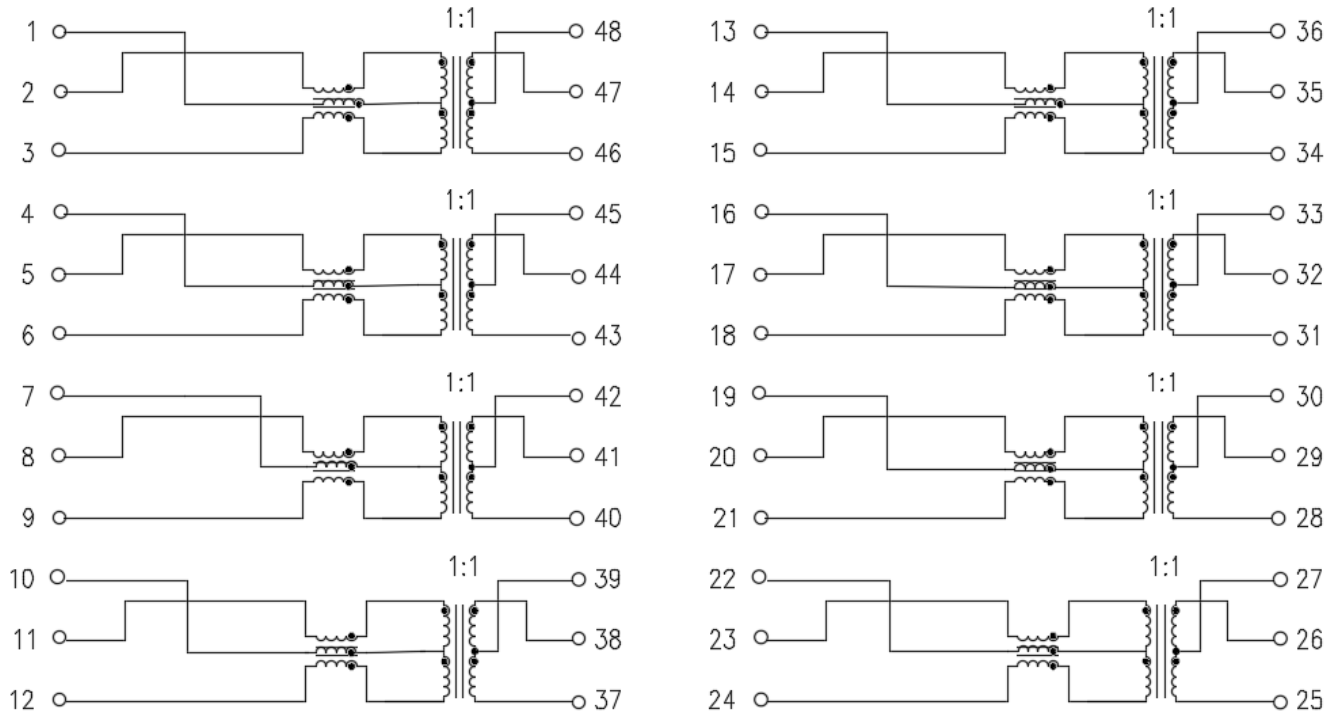
Units:mm Tolerances XX.XX:±0.25mm

Part Number: EL10G-485003-OS

10G BASE DUAL PORT TRANSFORMER

Page: 2/2

Schematics:



Packing:

- 350pcs/Reel
- 1050pcs/Carton