

Ordering Code: EL1M-242002-OI

100 BASE DUAL PORT TRANSFORMER

- Compliant with IEEE 802.3 standard.
- RoHS compliant.
- Operating temperature range: -20°C to +105°C.
- Storage temperature range: -20°C to +105°C.

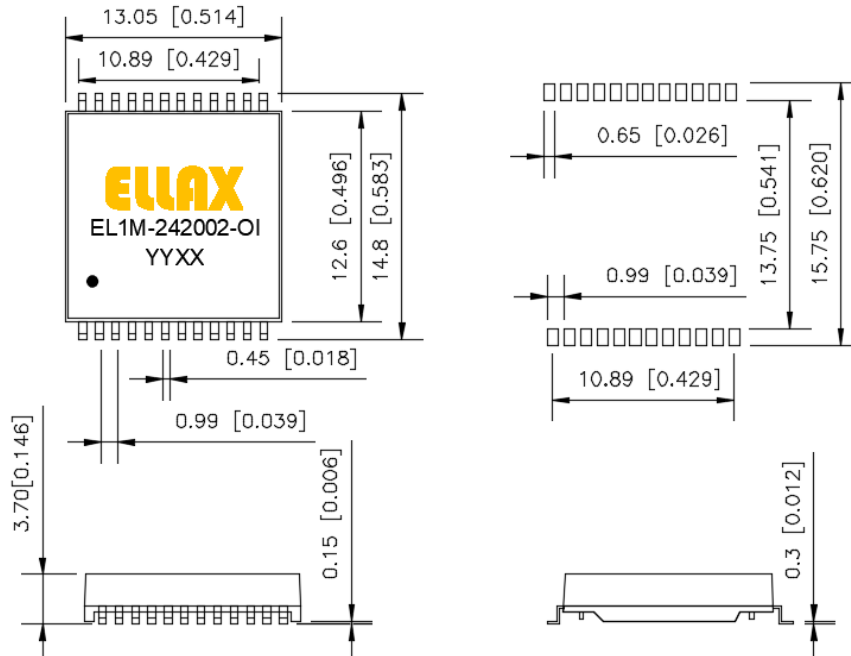
Electrical Specifications @ 25°C

Part Number	Turns Ratio (±2%)	OCL(μH Min) @100KHz/0.1V With 8mA DC BIAS	Insertion Loss (dB Max)		CMRR (dB Min)	HI-POT (Vrms)
			1MHz-100MHz		1MHz-100MHz	1mA
EL1M-242002-OI	1CT:1CT	350	-1.0		-35	1500

Continue

Part Number	Return Loss (dB Min)		Cross Talk (dB Min)			DC Resistance (ohms Max)
	1-30MHz	60-80MHz	30 MHz	60 MHz	100 MHz	
EL1M-242002-OI	-18	-12	-40	-35	-30	1.2 ohms Max.

Mechanicals:



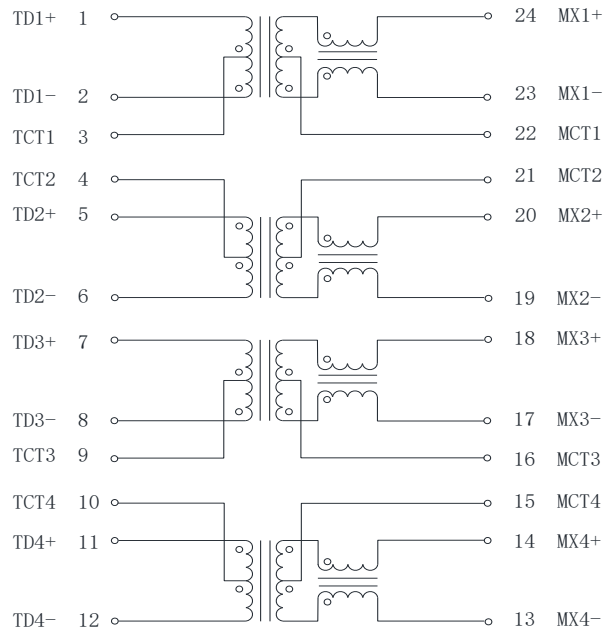
Dimension:mm[Inch]±0.25[0.010]

Part Number: EL1M-242002-OI

100 BASE DUAL PORT TRANSFORMER

Page: 2/2

Schematics:



Package:

-700pcs/reel

-1,400pcs/box

-4,200pcs/carton