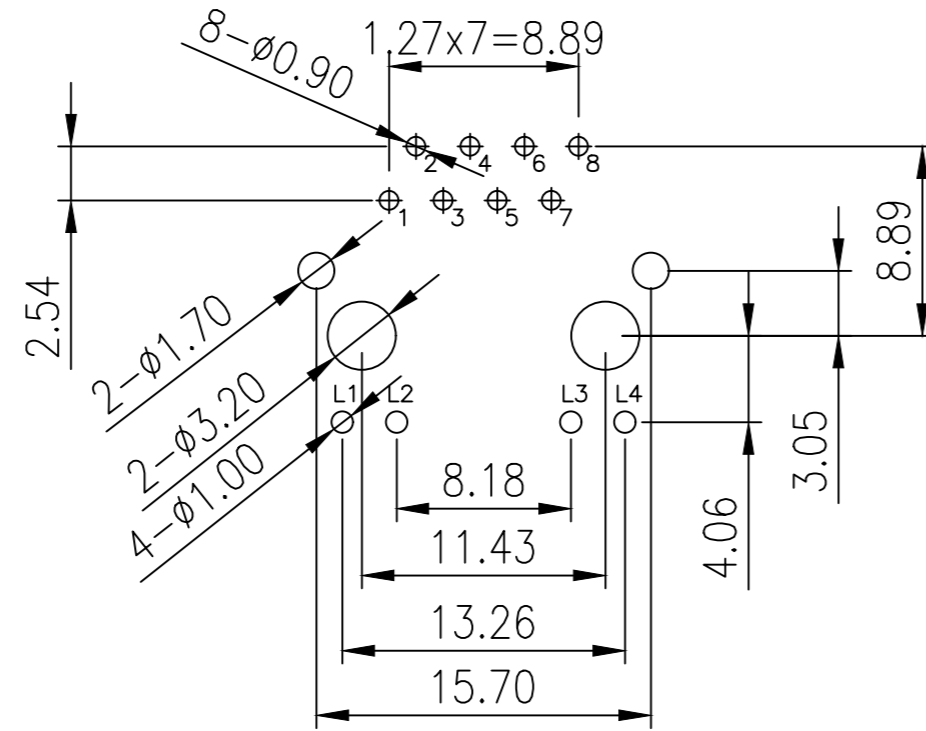
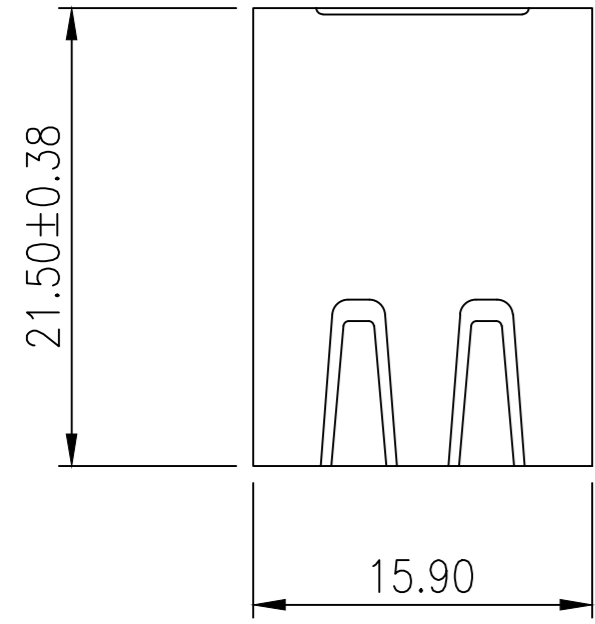


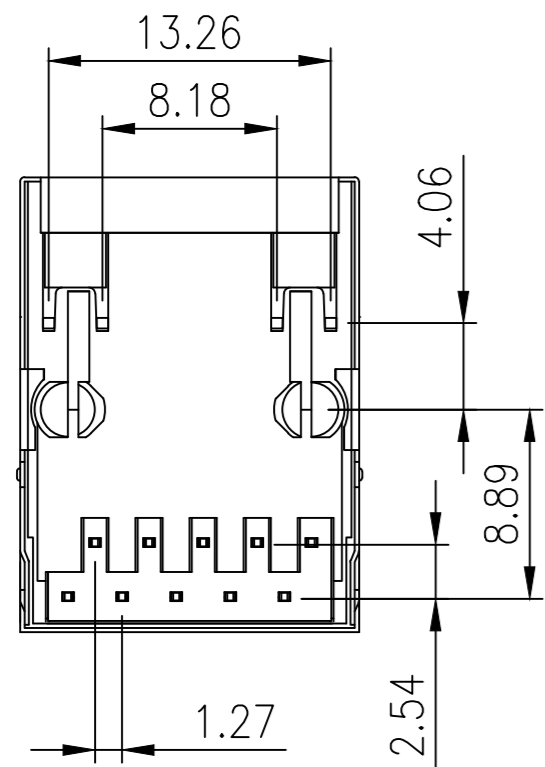
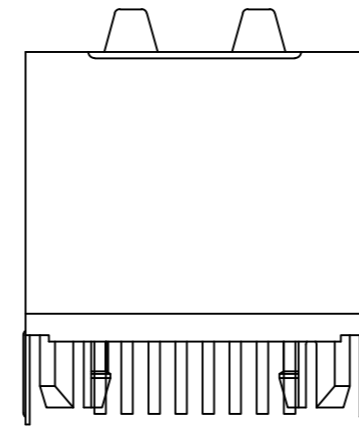
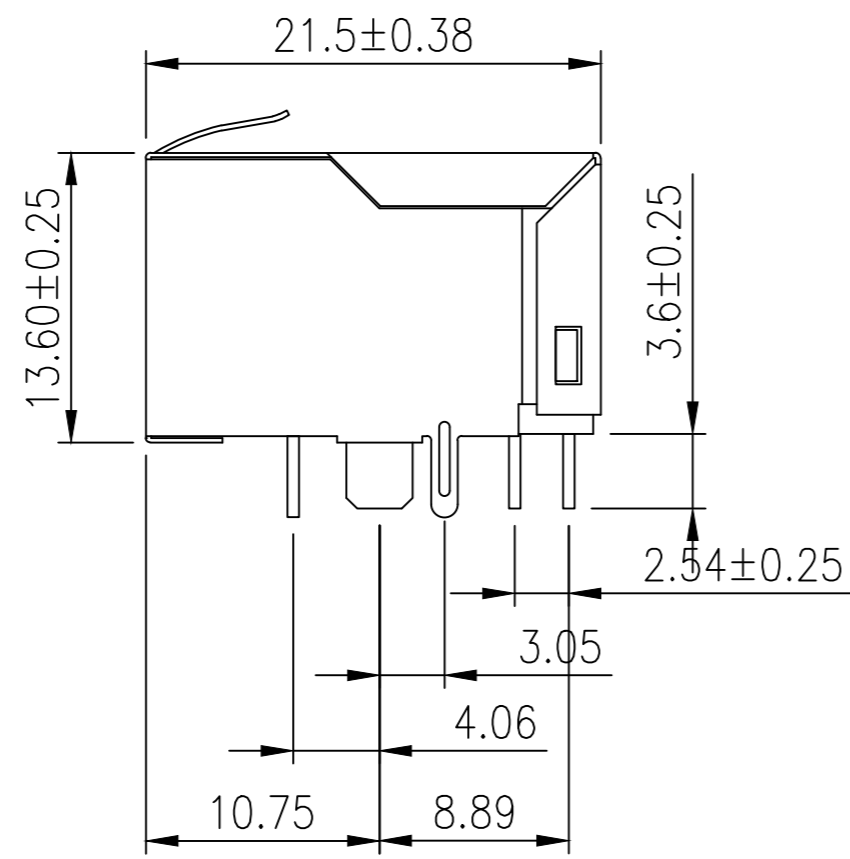
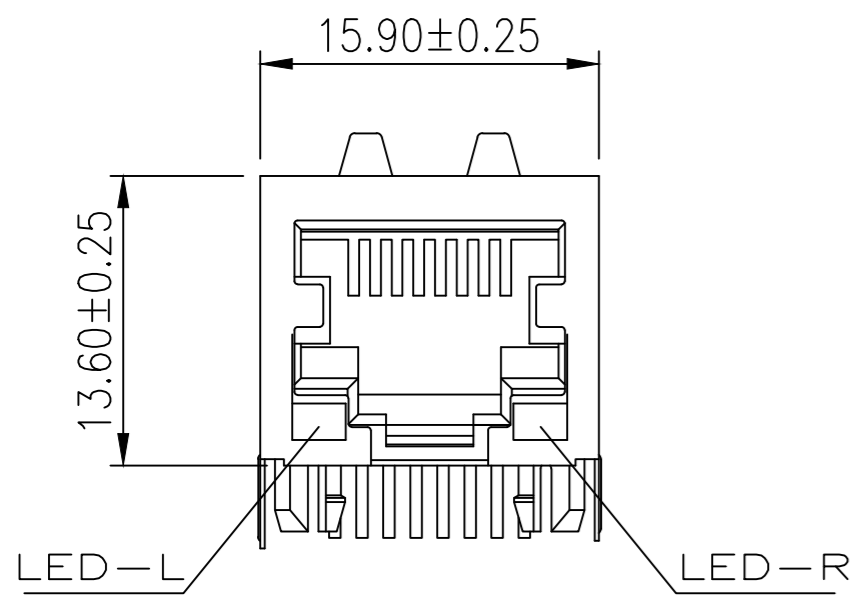
RoHS Compliant

REV	MODIFICATION	DATE	DRAW	APPROVE

Mechanical:



PCB Layout



NOTE:

1. Shielded – 0.20mm THICKNESS BRASS C2680 H. PLATING NICKEL 20u”Min.
2. Housing– Standard Material Nylon66,Glass Filled Polyester UL94V-0 Standard Color Black.
3. RJ Terminal– Plastic:Nylon66, UL94V-0,Standard Color Black. Pin:0.35mm Thickness Phos-Bronze C5210 EH. Plating:Nickel40u”~60u” for all and Sn 100% ,and Gold Plating.
4. Input Terminal– Nylon66,Glass Filled,UL94V-0, Standard Color Black. Pin:0.35mm SUS430. Plating:Nickel40u”~60u” for all and Sn 100%.

QC : Inspection Item	DIMENSION IN mm [Inch]		<b>ELLAX CORPORATION</b>	
	TOLERANCE UNLESS OTHERWISE SPECIFIED		TITLE RJ45 1X1 TAB-DOWN 10/100 WITH SURGE PROTECTION	
	.X± 0.38	X.°± 2.0°	DRAWING NUMBER 131S0324RB1	
	.XX± 0.20	.X°± 1.0°		
	.XXX± 0.10		DRAW KONGLEI 2019,08,20	
APPROVE WP 2019,08,20	CHECK Corey 2019,08,20	PROJ.  SHEET X OF Y	SCALE RATIO	SIZE A3 REV A

RoHS Compliant

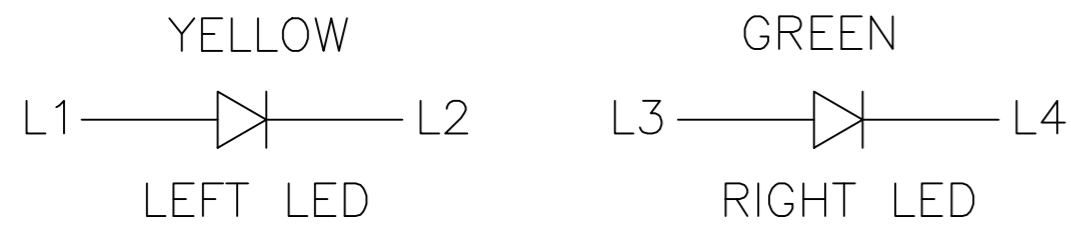
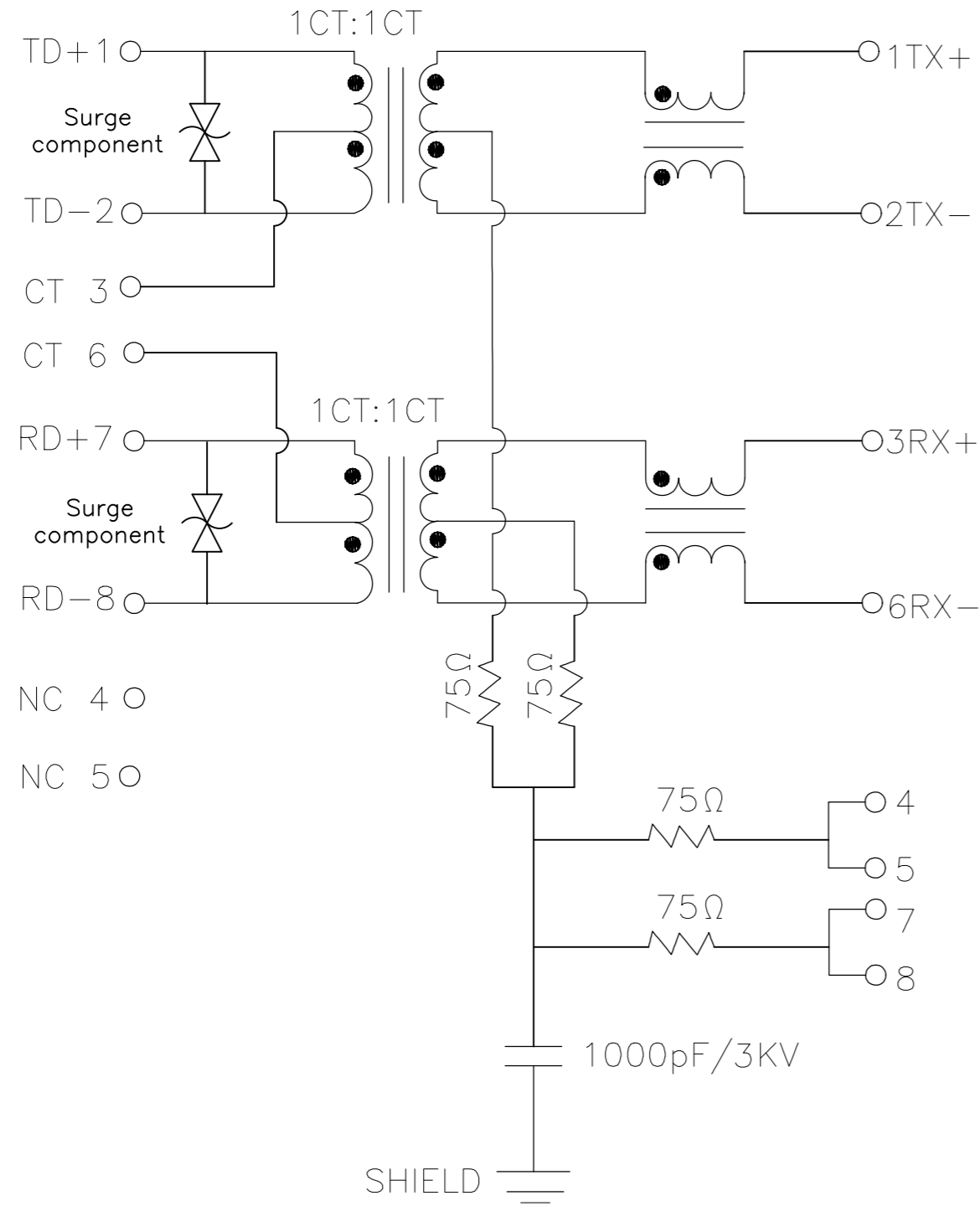
REV	MODIFICATION	DATE	DRAW	APPROVE

Schematic:

Type S03

PCB SIDE

CABLE SIDE



Turns Ratio (±2%)		OCL (uH Min.) @100 KHz/0.1V with 8mA DC Bias	Cross talk (dB Min.)				Hi-POT 1.0 mA (V)	
TX	RX		0.5-10 MHz	30 MHz	50 MHz	100 MHz	WITHOUT CAPACITANCE	WITH CAPACITANCE
1CT:1CT	1CT:1CT	350	-50	-40	-35	-30	1500 AC	2250 DC

Insertion Loss (dB Max.)		Return Loss (dB Min.) @ Load 100 OHM					CMR (dB Min.)
1-100 MHz	100-125 MHz (10/100/1000)	1-30 MHz	30-50 MHz	60 MHz	60-80 MHz	80-100 MHz (10/100/1000)	1-100 MHz
-1.0	-1.2	-18	-16	-14	-12	-10	-30

ESD protection:  
IEC 61000-4-2(ESD)15KV(Air),8KV(Contact)  
Surge protection:  
IEC 61000-4-5(Lightning)24A(8/20 uS)

Part Number:

131S0324RB1

- Plating: 1:Gold 6u"
- LED Type
- Standard operation temp.
- Tab locate: rear 3.05
- With upper EMI Finger.
- Schematic Type.
- Series No.

Code	RJ45 Plating			LED Code				
	Contact area	Solder tail	Under plating	Left LED		Right LED		
F	3u" gold	100u" Tin Min.	40u" Nickel Min.	A	Green	-	Yellow	-
1	6u" gold			B	Yellow	-	Green	-
2	15u" gold			C	Green	-	Green	-
3	30u" gold			D	-	Green	-	Yellow
4	50u" gold			E	-	Yellow	-	Green
				F	Yellow	-	Orange	Green
				G	Orange	Green	Yellow	-
				H	Green	-	-	Yellow
				0	-	-	-	-

Part Number:

XXX XXX XX X X X

- ① Series No.
- ② Transformer Type.
- ③ Shield Type.
- ④ R=Standard operation temp.(0°C to +70°C)  
H=Industrial operation temp.(-40°C to +85°C)
- ⑤ LED Code:See left table.
- ⑥ RJ45 Plating

Inspection Item	DIMENSION IN mm [Inch]			
	TOLERANCE UNLESS OTHERWISE SPECIFIED		TITLE	
	.X± 0.38   X.°± 2.0°		RJ45 1X1 TAB-DOWN 10/100 WITH SURGE PROTECTION	
	.XX± 0.20   .X°± 1.0°		DRAWING NUMBER	
	.XXX± 0.10		131S0324RB1	
APPROVE	CHECK	DRAW	PROJ.	SHEET X OF Y
WP 2019,08,20	Corey 2019,08,20	KONGLEI 2019,08,20	PROJ.	A3
			SCALE RATIO	REV A