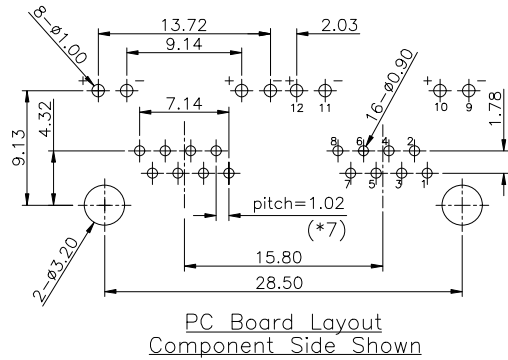
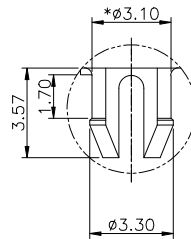
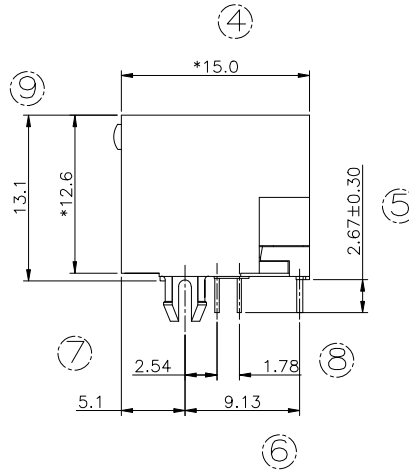
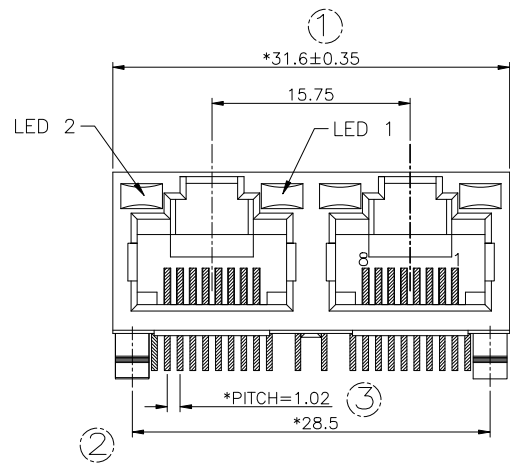




REVISION RECORD 修改紀錄					
REV	ECO	DESCRIPTION	DATE	DRFT	CHKD



PART NUMBER: EL2J88-XX0AMXX

0-W/O LOGO

1-3u", 2-6u"
3-15u", 4-30u"
5-50u" F-GOLD FLASH

3-LED1:YELLOW, LED2:GREEN

D-NO SHIELD STAMPED PIN.

NOTES:

ELECTRICAL:

- VOLTAGE RATING : 125 VAC RMS.
- CURRENT RATING : 1.5 AMP.
- CONTACT RESISTANCE : 30 MILLIOHMS MAX.
- INSULATION RESISTANCE: 1000 MEGOHMS MIN @ 500 VDC.
- DIELECTRIC STRENGTH : 1000 VAC RMS 60Hz, 1MIN.
- LED RATINGS: FORWARD VOLTAGE: 2.2 VOLTS TYPICAL.
REVERSE VOLTAGE: 5 VOLTS MAXIMUM .
- OPERATING: 750 CYCLES MIN.

MECHANICAL:

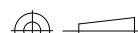
- HOUSING MATERIAL : PBT UL94V-0./ COLOR-YELLOW 114C.
- INSERT MATERIAL : PBT UL94V-0./ COLOR-YELLOW 114C.
- BACK PLATE MATERIAL : PBT UL94V-0./ COLOR-YELLOW 114C.
- LED SIZE : 3.1*1.9*4.1*P=2.54mm.
- CONTACT MATERIAL : PHOSPHOR BRONZE T=0.35mm.
- PLATING : GOLD PLATING OVER NICKEL.
- PCB RETENTION PRE-SOLDER : 1 LB MIN.
- PCB RETENTION POST-SOLDER: 10 LBS MIN.

ENVIRONMENTAL:

- STORAGE : -40°C TO +85°C.
- OPERATION: -40°C TO +85°C.
- WAVE SOLDERING TEMPERATURE: 230°C ~250°C (3~5 SECONDS).
- RoHS COMPLIANT.

MATES WITH MODULAR PLUG CONFORMING TO
FCC PART 68, SUBPART F.
CUL FILE NO. E345295

單位: mm	DFTO: 1111	DATE: 2019.04.25
長度公差	角度公差	CHKD: Eason
.0±0.25	0°±5°	APPVL: W.B.Huang
.00±0.15		DATE: 2019.04.25
.000±0.10		脫模角:
		顏色:
		MATERIAL:
		材質:
		TREAT:
		處理:
		QTY:
		數量:
		SCALE:
		比例 1:1



THIRD ANGLE PROJECTION

ELLAX CORPORATION.

TITLE:
LED GANG JACK 1*2 (W/O SHIELD)

DWG NO.	EL2J88-030AMD2	SIZE	REV
DRAWING NO:	EL2J88-XX0AMXX_A	A4	A
PART NO:			1 of 1