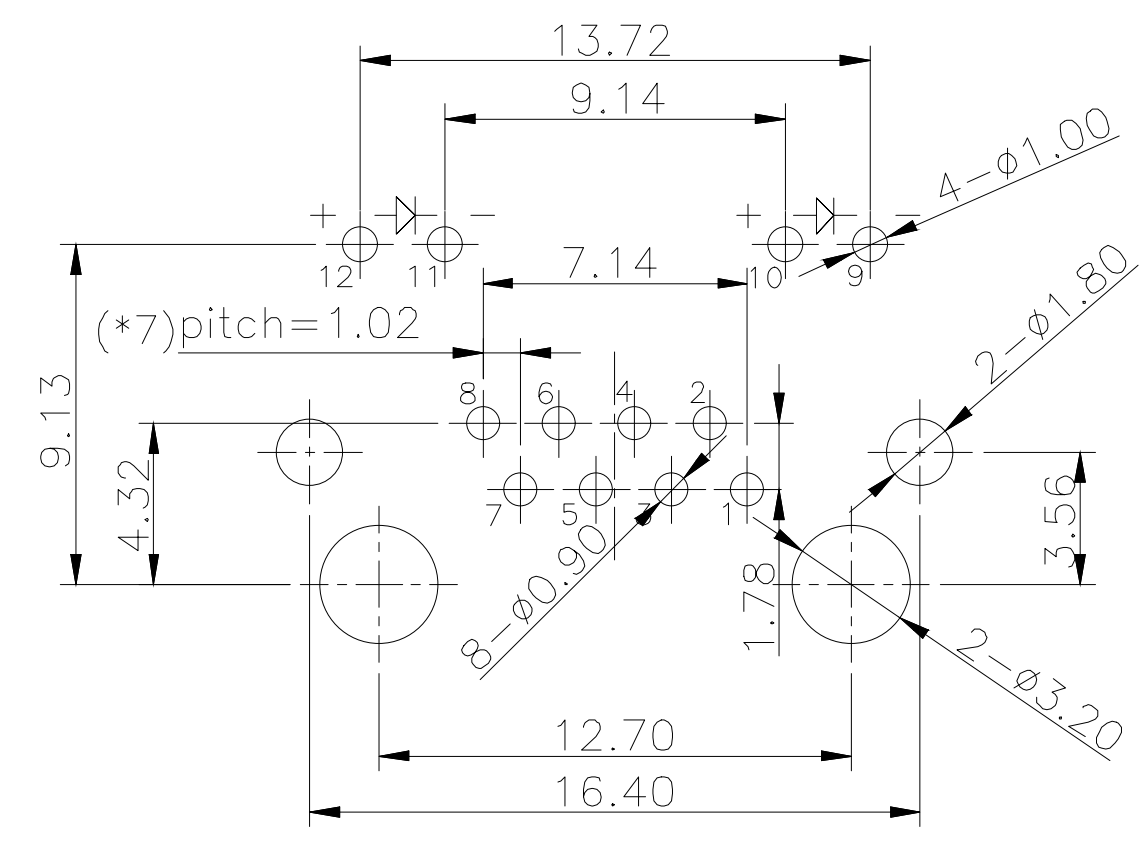
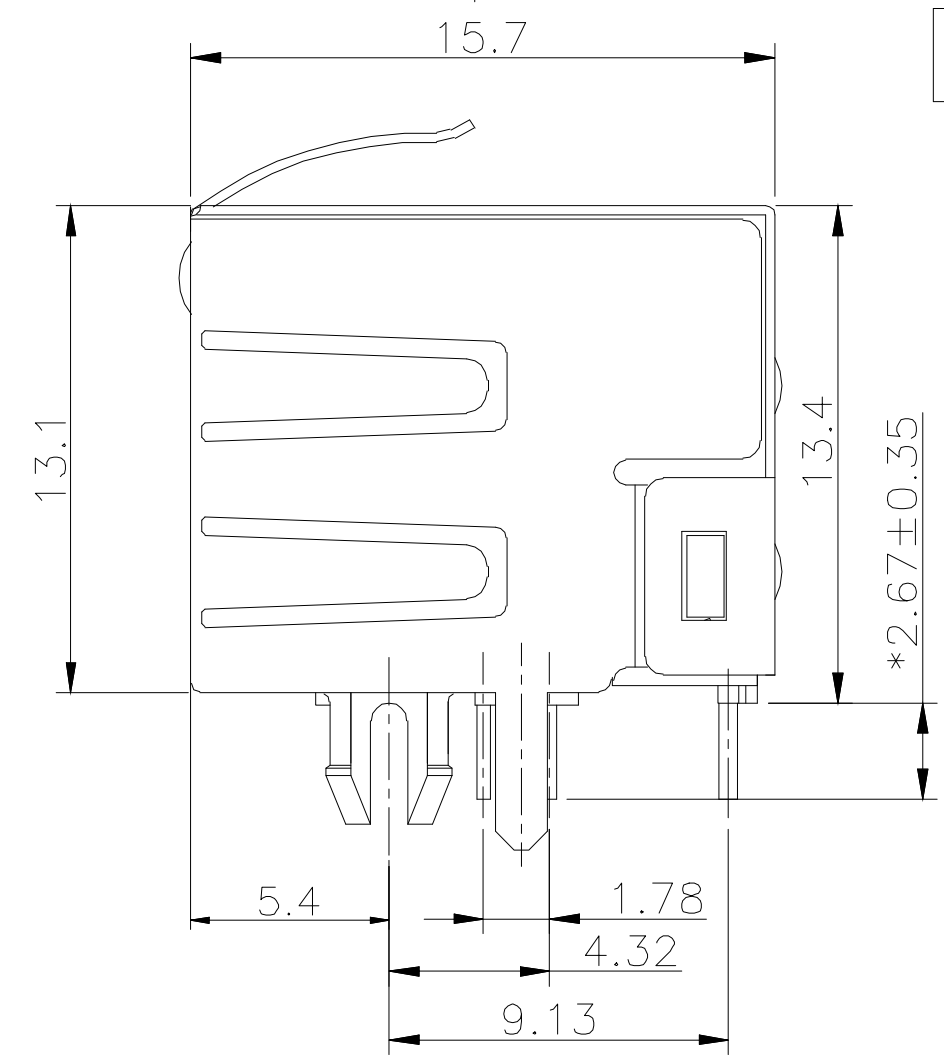
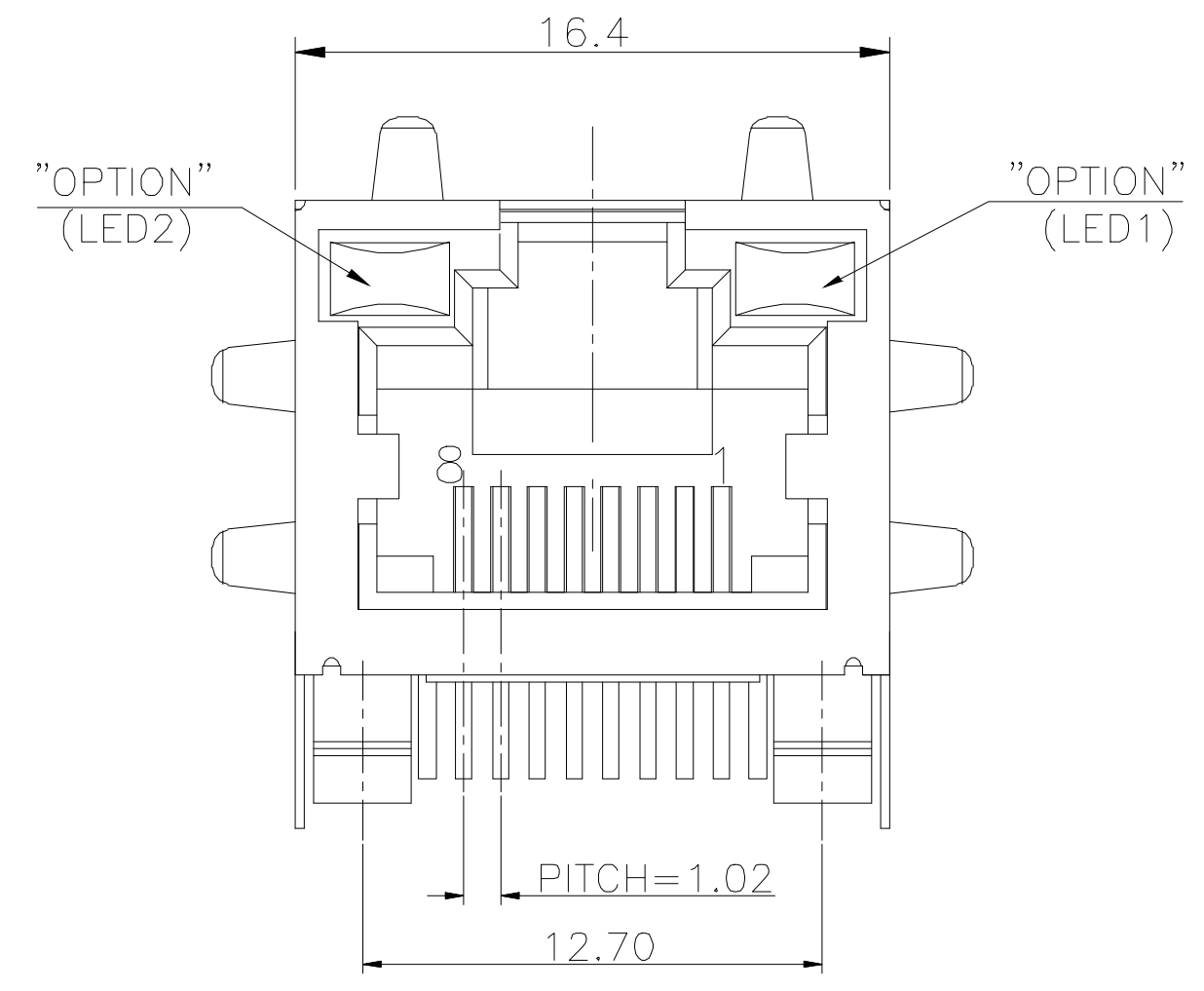


REVISION RECORD 修改紀錄					
REV	ECD	DESCRIPTION	DATE	DRFT	CHKD



NOTES:

ELECTRICAL:

- VOLTAGE RATING : 1.5 AMP.
- CURRENT RATING : 125 VAC RMS.
- CONTACT RESISTANCE : 30 MILLIOHMS MAX.
- INSULATION RESISTANCE: 1000 MEGOHMS MIN @ 500 VDC.
- DIELECTRIC STRENGTH : 1000 VDC RMS 60Hz, 1MIN.
- LED RATINGS: FORWARD VOLTAGE: 2.2 VOLTS TYPICAL. REVERSE VOLTAGE: 5 VOLTS MAXIMUM.
- OPERATING: 750 CYCLES MIN.

MECHANICAL:

- HOUSING MATERIAL : NYLON UL94V-0./COLOR:BLACK.
- LED SIZE : 3.2\*2.0\*4.0\*P=2.54mm.
- SHIELD MATERIAL : COPPER ALLOY.
- CONTACT MATERIAL : PHOSPHOR BRONZE 0.35mm THICKNESS OR φ0.46mm.
- PLATING : GOLD PLATING OVER NICKEL.
- PCB RETENTION PRE-SOLDER : 1 LB MIN.
- PCB RETENTION POST-SOLDER: 10 LBS MIN.

ENVIRONMENTAL:

- STORAGE : -40°C TO +85°C.
- OPERATION: -40°C TO +85°C.
- WAVE SOLDERING TEMPERATURE: 250~260°C(5~10 SECONDS).
- RoHS COMPLIANT.

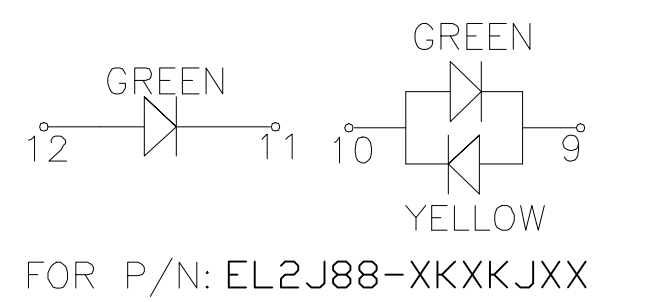
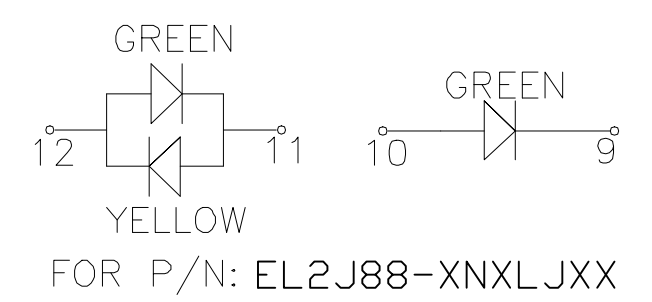
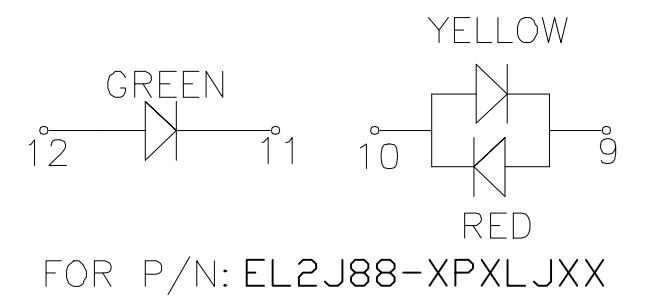
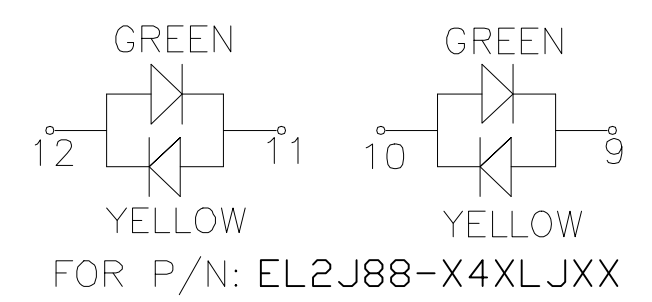
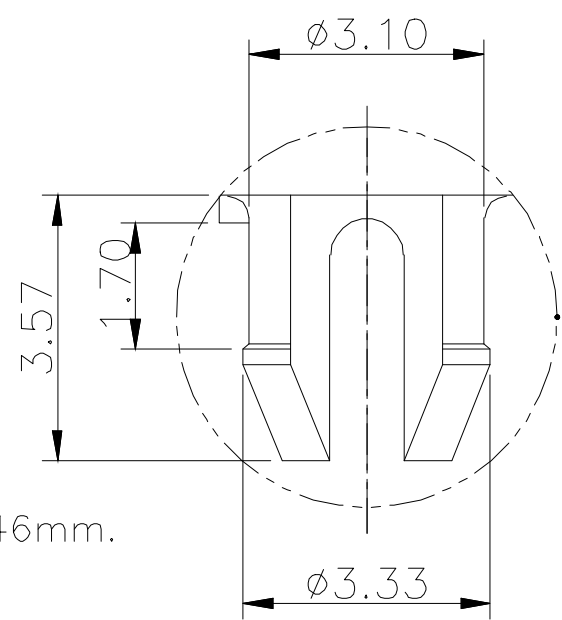
MATES WITH MODULAR PLUG CONFORMING TO  
FCC PART 68, SUBPART F.  
CUL FILE NO. E345295  
PART NUMBER: EL2J88-XXXLJXX

0-W/O LOGO  
PLATING:1-3u" 2-6u" 3-15u"  
4-30u" 5-50u" F-GOLD FLASH

D-STAMPED PIN.  
J-ROUND PIN.

- 1-LED1:GREEN ,LED2:YELLOW
- 2-LED1:GREEN ,LED2:GREEN
- 3-LED1:YELLOW ,LED2:GREEN
- 4-LED1:G+Y ,LED2:G+Y
- 5-LED1:RED ,LED2:GREEN
- 7-LED1:YELLOW ,LED2:YELLOW
- N-LED1:G+Y ,LED2:GREEN
- P-LED1:Y+R ,LED2:GREEN
- E-LED1:GREEN ,LED2:RED.
- K-LED1:GREEN ,LED2:G+Y

- 1-W/O TAB
- 2-W/ TOP TABS.
- 3-W/ SIDE TABS.
- 4-W/ TOP TABS AND SIDE TABS.



單位: mm		DFTO: Rose	DATE: 2019.06.06
長度公差	角度公差	CHKD: Eason	DATE: 2019.06.06
.0±0.25	0°±5°	APPVL: W.B.Huang	DATE: 2019.06.06
.00±0.15		脫模角:	顏色:
.000±0.10			MATERIAL: 材質
 THIRD ANGLE PROJECTION		TREAT: 處理	DWG NO. EL2J88-044LJJF
		QTY: 數量	DRAWING NO: 圖檔編號 EL2J88-XXXLJXX
		SCALE: 比例 1:1	PART NO: 零件編號

**ELLAX CORPORATION**

TITLE: RJ45 Side Entry LED JACK		SIZE	REV
DWG NO.	EL2J88-044LJJF	A4	A
DRAWING NO: 圖檔編號	EL2J88-XXXLJXX	1 of 1	