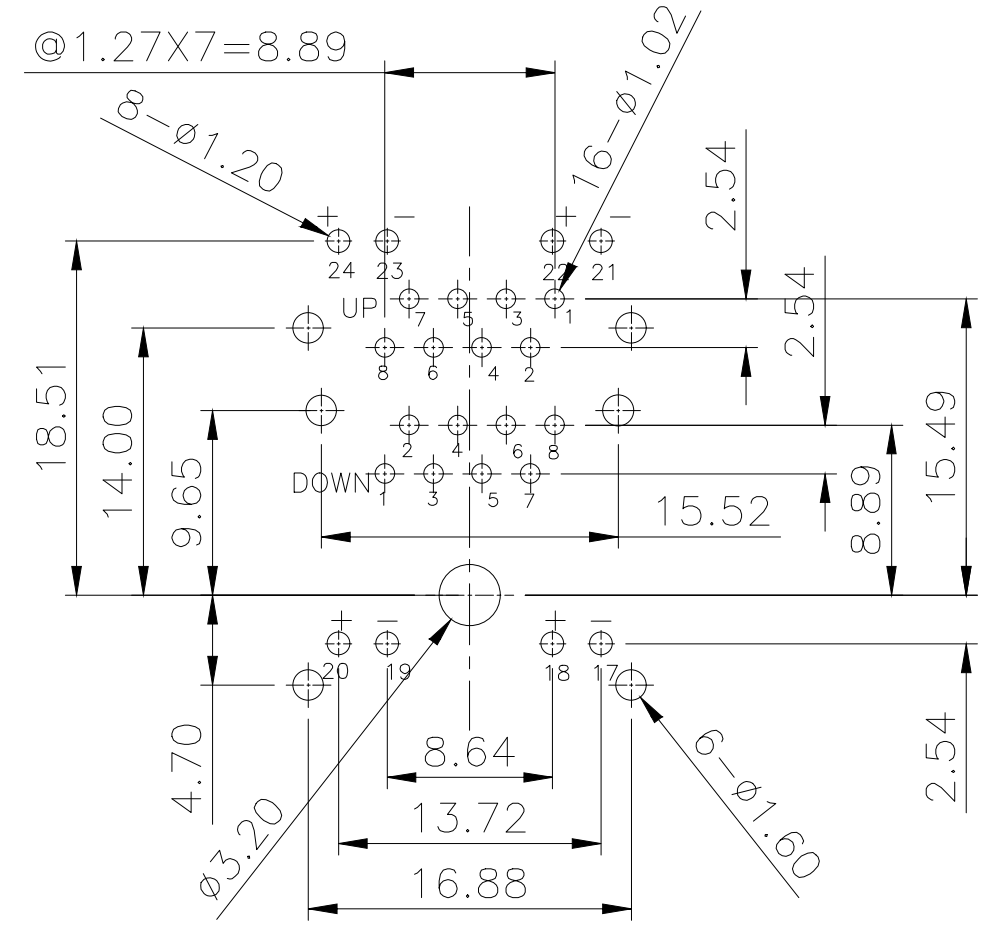
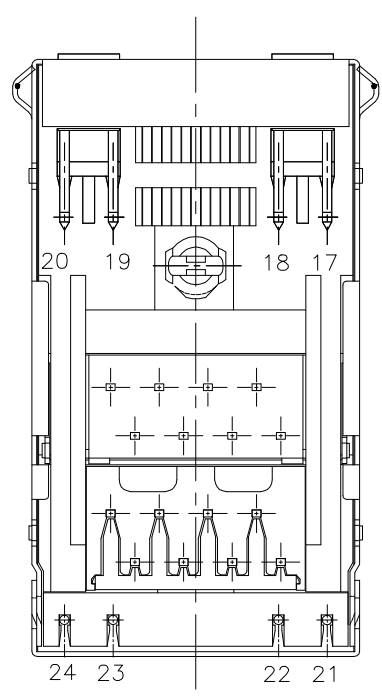
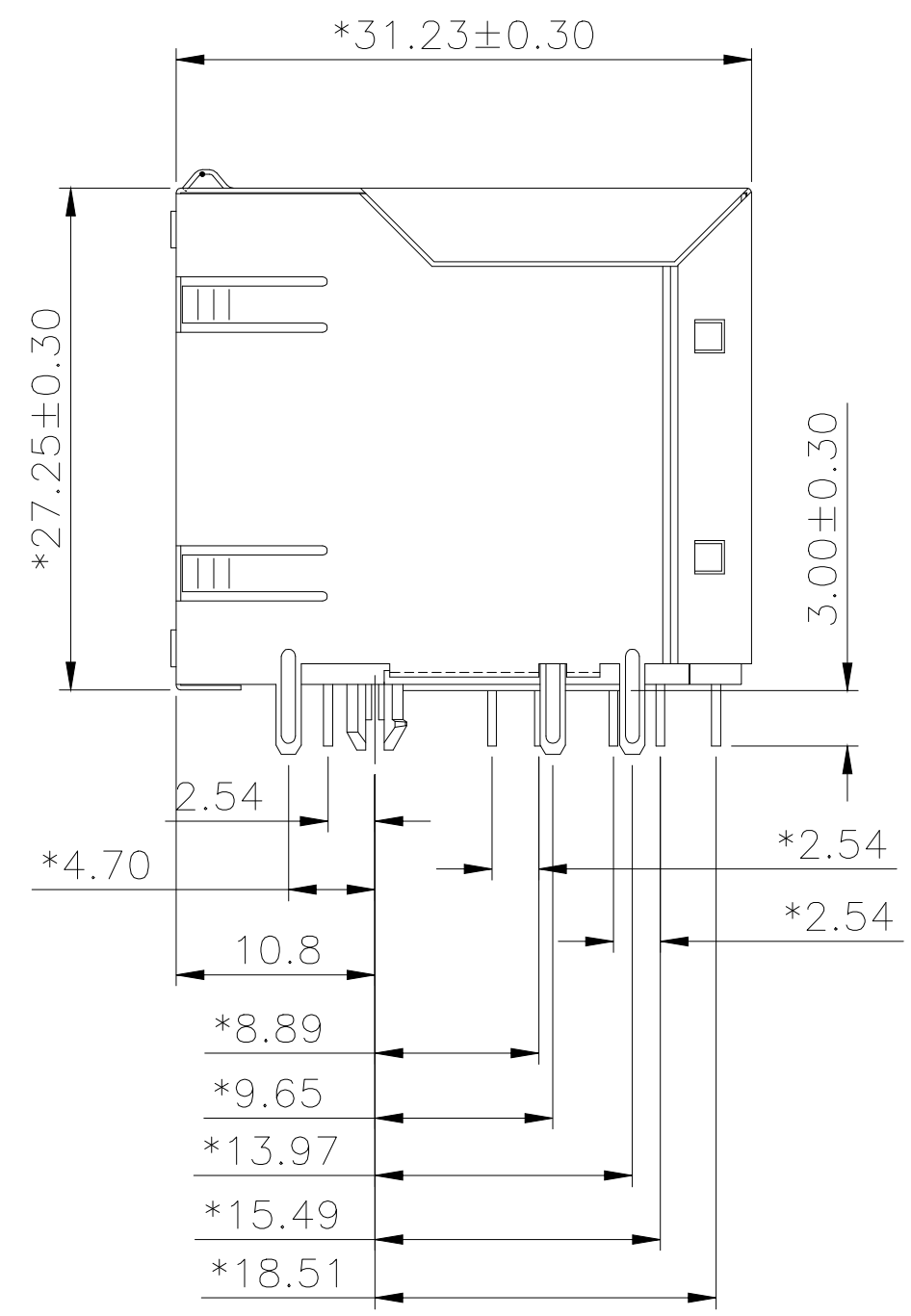
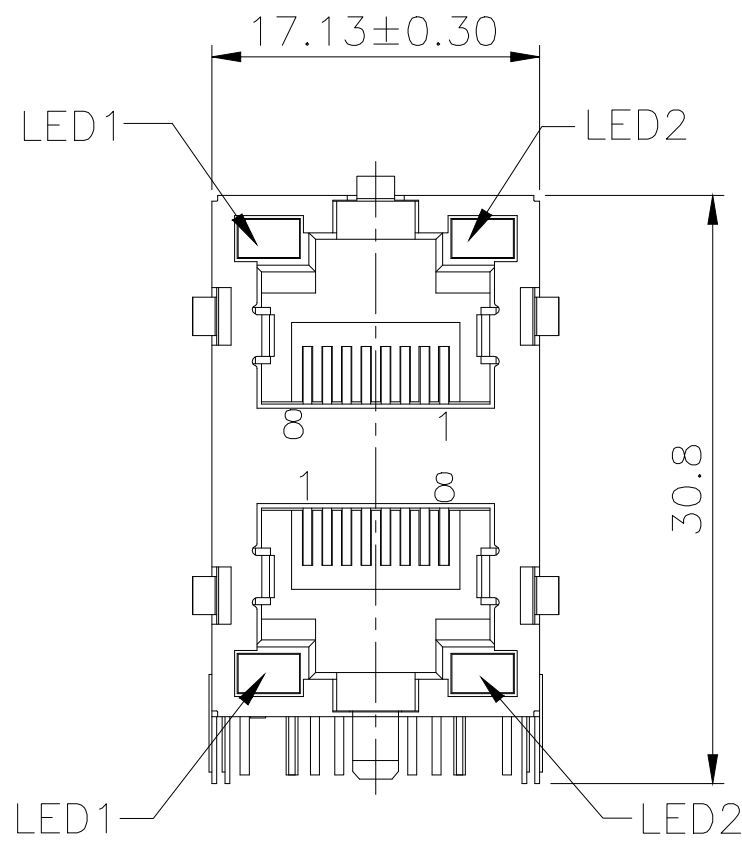


REVISION RECORD 修改紀錄					
REV	ECO	DESCRIPTION	DATE	DRFT	CHKD



PC Board Layout t=1.6mm  
Component Side Shown

NOTES:

ELECTRICAL:

- VOLTAGE RATING : 125 VAC RMS.
- CURRENT RATING : 1.5 AMP.
- CONTACT RESISTANCE : 50 MILLIOHMS MAX.
- INSULATION RESISTANCE: 1000 MEGOHMS MIN @ 500 VDC.
- DIELECTRIC STRENGTH : 1000 VAC RMS 60Hz, 1MIN.

MECHANICAL:

- HOUSING MATERIAL : PBT UL94V-0./COLOR:BLACK.
- CONTACT MATERIAL : PHOSPHOR BRONZE t=0.35mm.
- PLATING : GOLD PLATING OVER NICKEL.
- OPERATING LIFE : 750 CYCLES MIN.
- PCB RETENTION PRE-SOLDER : 1 LB MIN.
- PCB RETENTION POST-SOLDER: 10 LBS MIN.
- LED COLOR : OPTION

ENVIRONMENTAL:

- STORAGE : -40°C TO +85°C.
- OPERATION: -40°C TO +85°C.
- WAVE SOLDERING TEMPERRATURE: 255~265°C(5~10 SECONDS).
- RoHS COMPLIANT.

MATES WITH MODULAR PLUG CONFORMING TO  
FCC PART 68, SUBPART F.  
CUL FILE NO. E345295

PART NUMBER: EL2J88-XXXL2BX

- 0-W/Ø LOGO
- 1-W/Ø TAB
- 1-W/ TOP and Side TABS
- PLATING: 1-3u" 2-6u"  
3-15u" 4-30u"  
5-50u" F-GOLD FLASH

- A-LED1:GREEN, LED2:GREEN
- B-LED1:GREEN, LED2:ORANGE
- C-LED1:GREEN, LED2:YELLOW
- L-LED1:YELLOW, LED2:GREEN
- D-LED1:G+R, LED2:G+R
- F-LED1:ORANGE, LED2:GREEN
- N-LED1:G+Y, LED2:GREEN

單位: mm		DFTO: Rose	DATE: 2017.04.16
長度公差	角度公差	CHKD: Jerry	DATE: 2017.04.16
.0±0.25	0°±5°	APPVL: W.B.Huang	DATE: 2017.04.16
.00±0.15		脫模角:	顏色:
.000±0.10			MATERIAL: 材質
<p>THIRD ANGLE PROJECTION</p>		TREAT: 處理	DWG NO. EL2J88-0C1L2B2
		QTY: 數量	DRAWING NO: 圖檔編號 EL2J88-XXXL2BX
		SCALE: 比例 1:1	PART NO: 零件編號

**ELLAX CORPORATION**

TITLE: 2x1 RJ45 Stacked Jack LED			
DWG NO.	EL2J88-0C1L2B2	SIZE	REV
DRAWING NO:	EL2J88-XXXL2BX	A4	A
PART NO:		1 of 1	