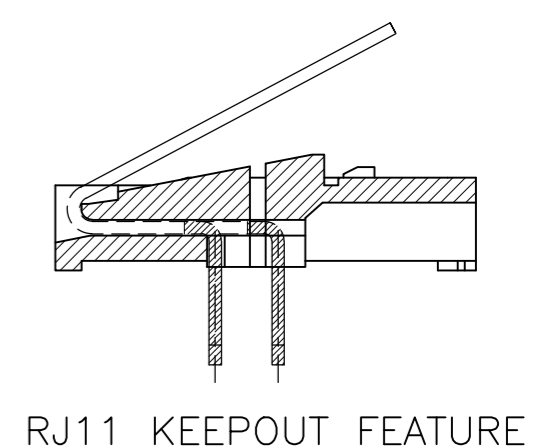
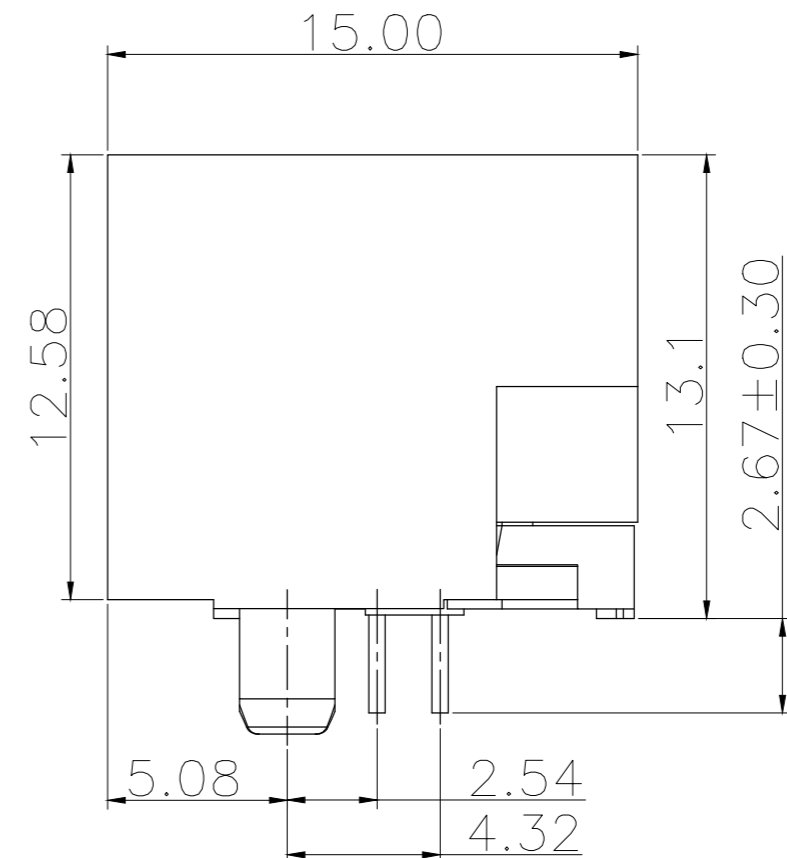
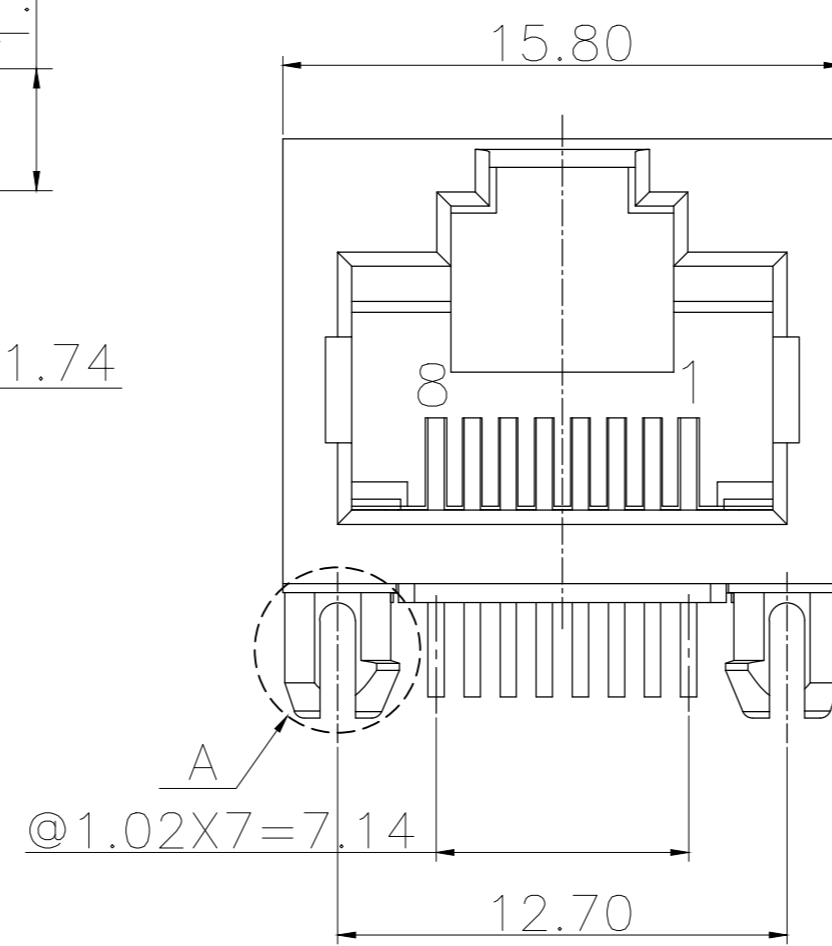
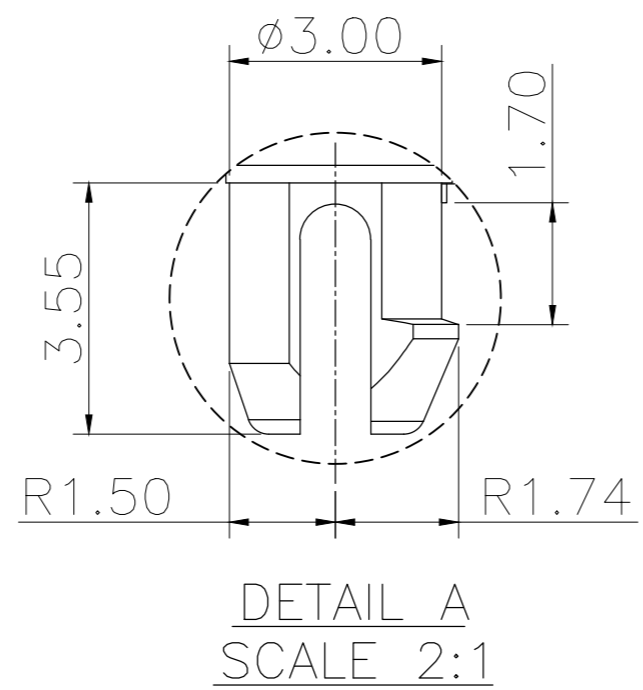
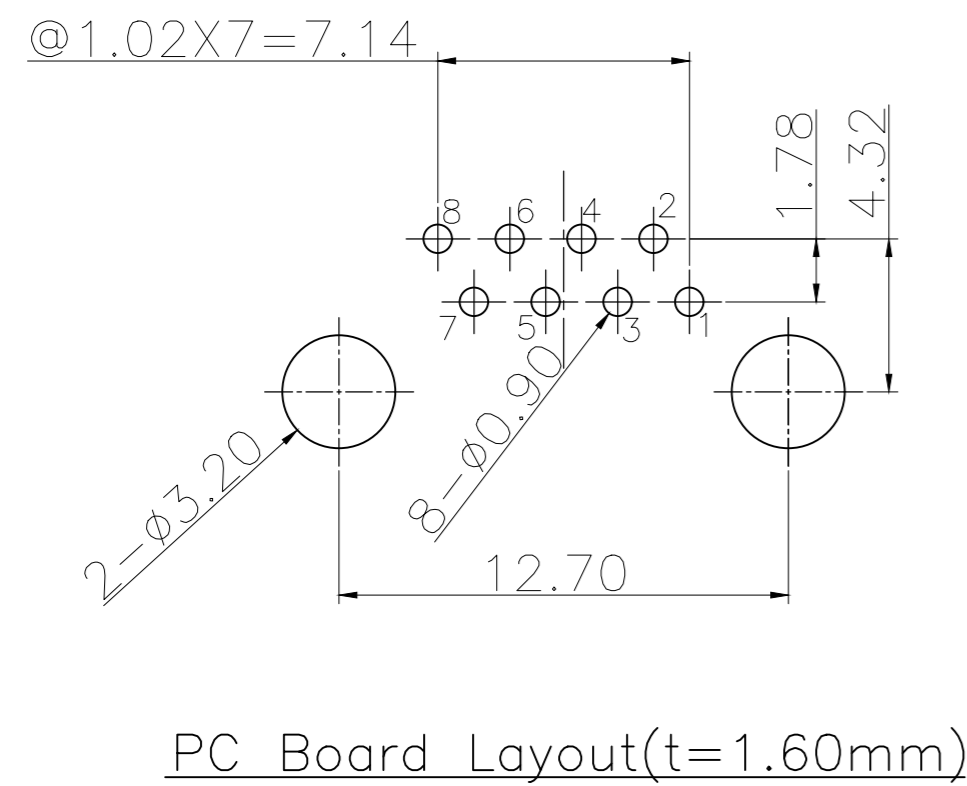


REVISION RECORD 修改紀錄					
REV	ECO	DESCRIPTION	DATE	DRFT	CHKD



**NOTES:**

**ELECTRICAL:**

- VOLTAGE RATING : 125 VAC RMS.
- CURRENT RATING : 1.5 AMP.
- CONTACT RESISTANCE : 30 MILLIOHMS MAX.
- INSULATION RESISTANCE: 1000 MEGOHMS MIN @ 500 VDC.
- DIELECTRIC STRENGTH : 1000 VDC RMS 60Hz, 1MIN.
- OPERATING: 750 CYCLES MIN.

**MECHANICAL:**

- HOUSING MATERIAL : NYLON UL94V-0.
- INSERT MATERIAL : NYLON UL94V-0.
- CONTACT MATERIAL : PHOSPHOR BRONZE T=0.35mm
- PLATING : GOLD PLATING OVER NICKEL.
- PCB RETENTION PRE-SOLDER: 1 LB MIN.
- PCB RETENTION POST-SOLDER: 10 LBS MIN.

**ENVIRONMENTAL:**

- STORAGE : -40°C TO +85°C.
- OPERATION: -40°C TO +85°C.
- WAVE SOLDERING TEMPERRATURE: 230°C~240°C(3~5 SECONDS).
- RoHS COMPLIANT.

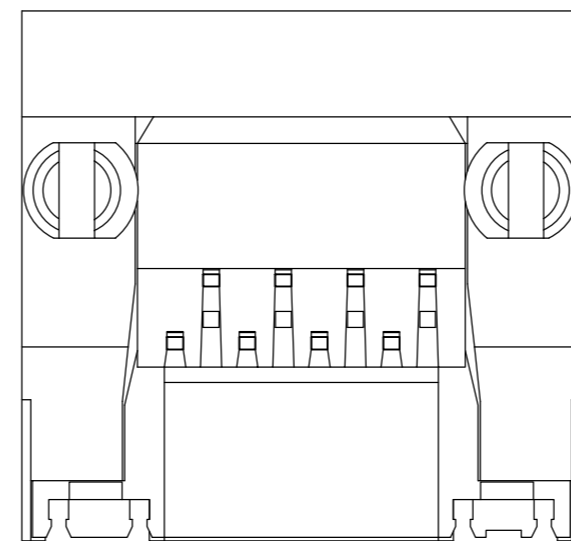
MATES WITH MODULAR PLUG CONFORMING TO  
FCC PART 68, SUBPART F.  
CUL FILE NO.E345295

PART NUMBER: EL2J8X-JAXXS1X

8-8C

- 15-W/O LOGO, BLACK
- 17-W/O LOGO, YELLOW
- 18-W/O LOGO, BLUE(300C)

- 1-3u" 2-6u"
- 3-15u" 4-30u"
- 5-50u" F-GOLD FLASH



單位: mm		DFTO: ina	DATE: 2019.07.05
長度公差	角度公差	CHKD: Allen	DATE: 2019.07.05
.0±0.25	0°±5°	APPVL: W.B.Huang	DATE: 2019.07.05
.00±0.15		脫模角:	顏色:
.000±0.10			MATERIAL: 材質
<p>THIRD ANGLE PROJECTION</p>		TREAT: 處理	DWG NO.
		QTY: 數量	DRAWING NO: 圖檔編號
		SCALE: 比例	PART NO: 零件編號

**ELLAX CORPORATION.**

TITLE:  
TOP ENTRY GANG JACK 1\*1 W/O SHIELD

DWG NO.	EL2J88-JA18S15	SIZE	REV
DRAWING NO: 圖檔編號	EL2J88-JAXXS1X_A	A4	A
PART NO: 零件編號			1 of 1