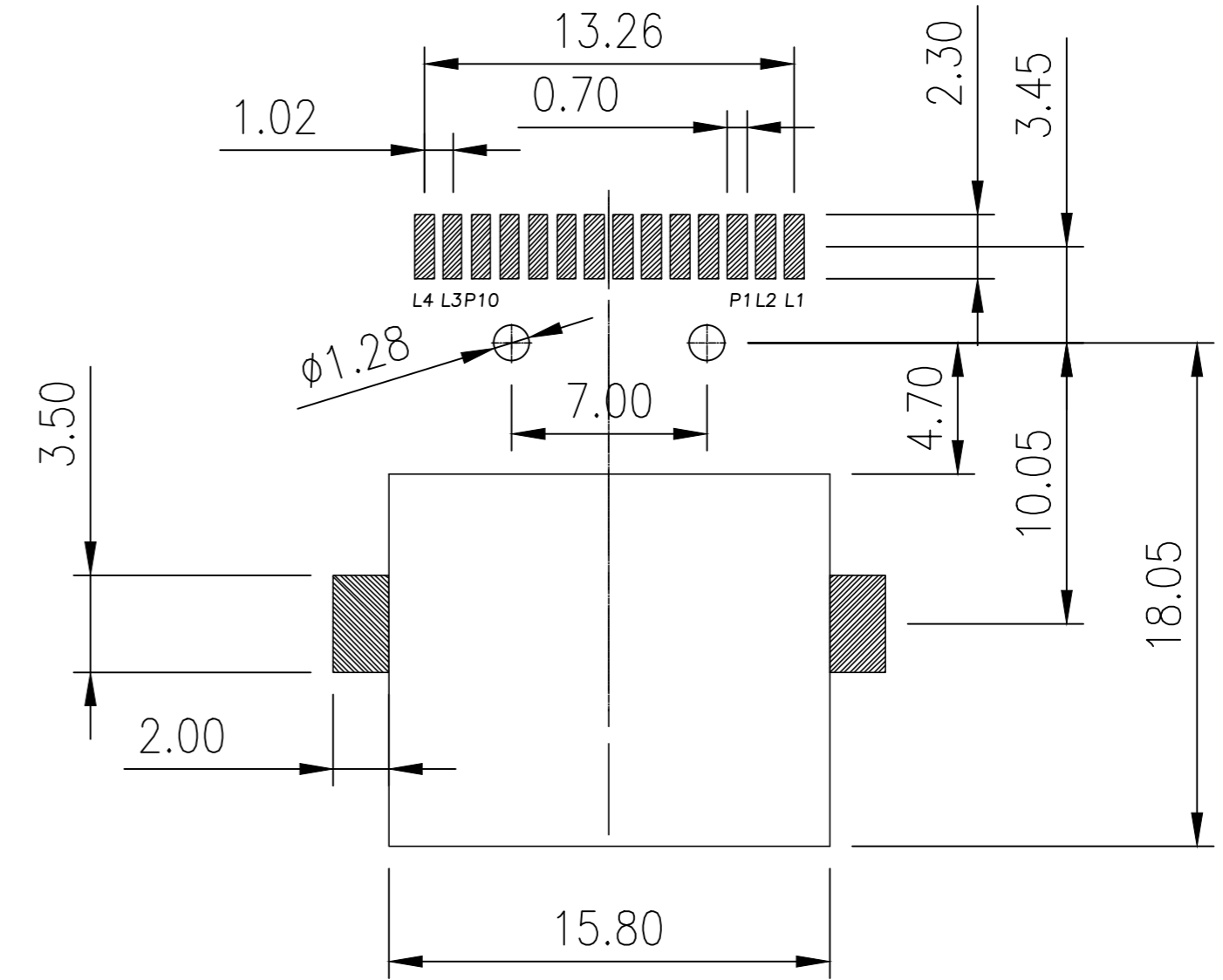
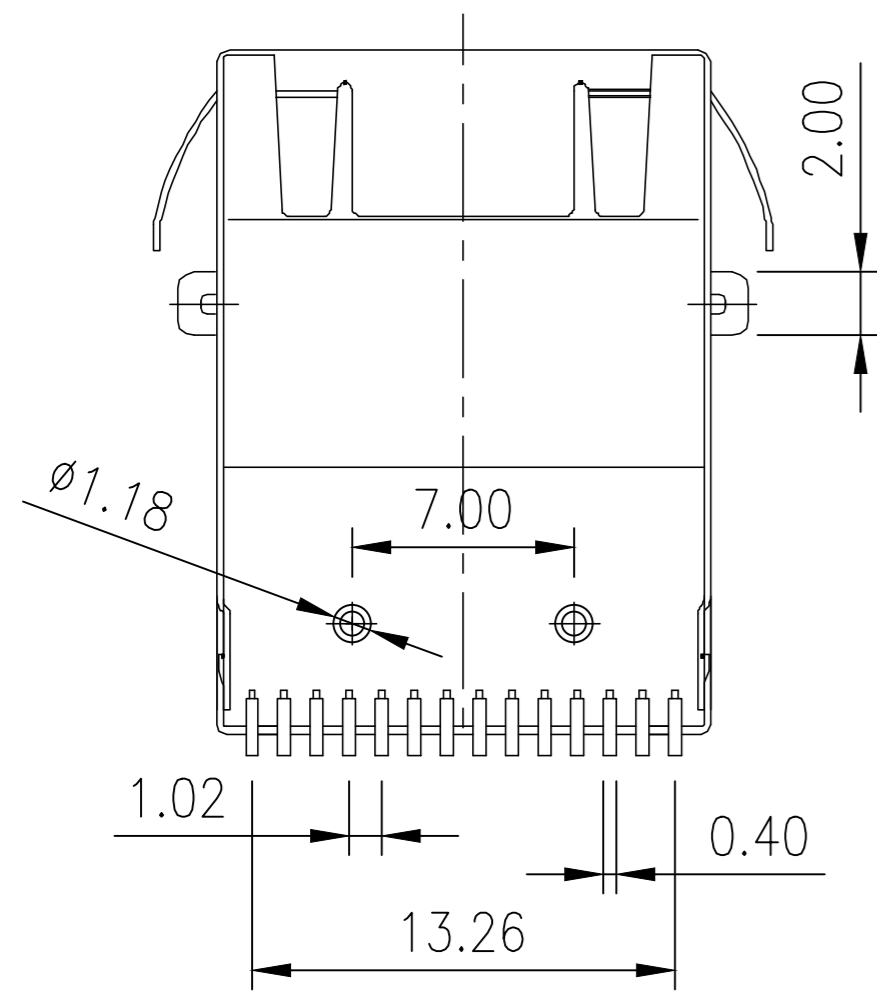
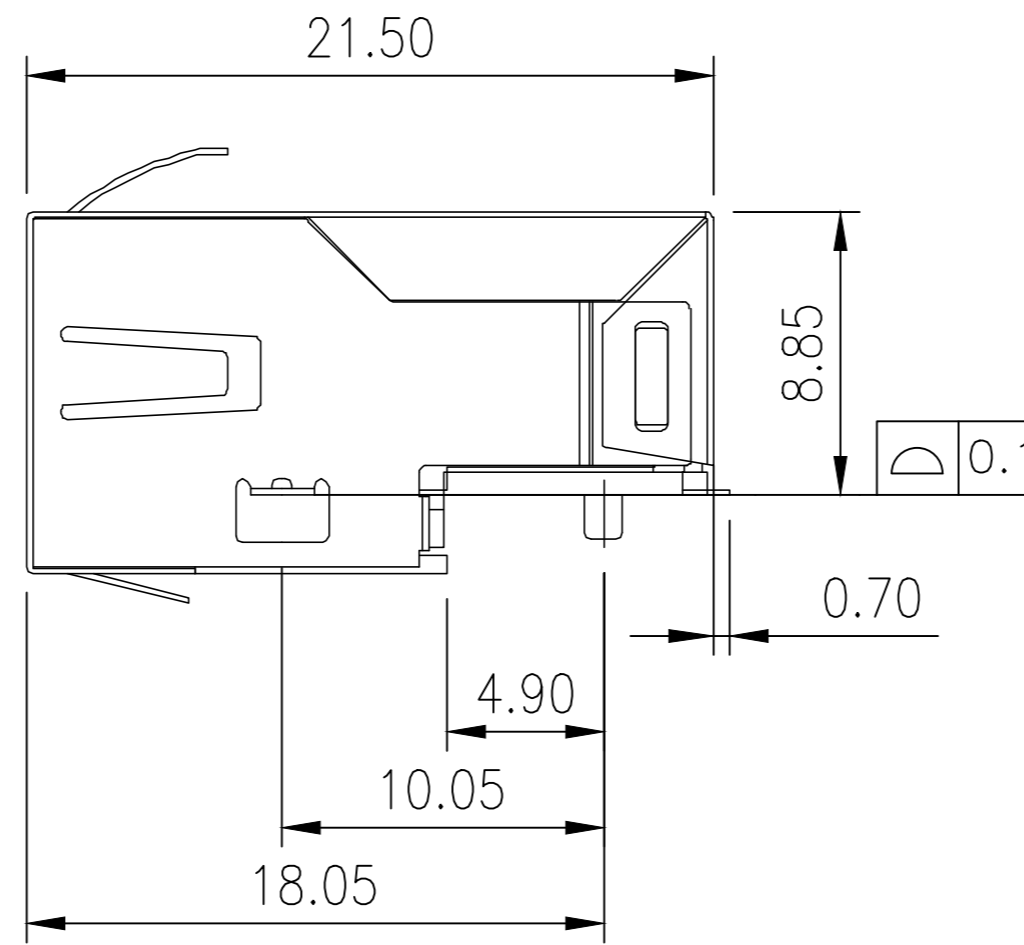
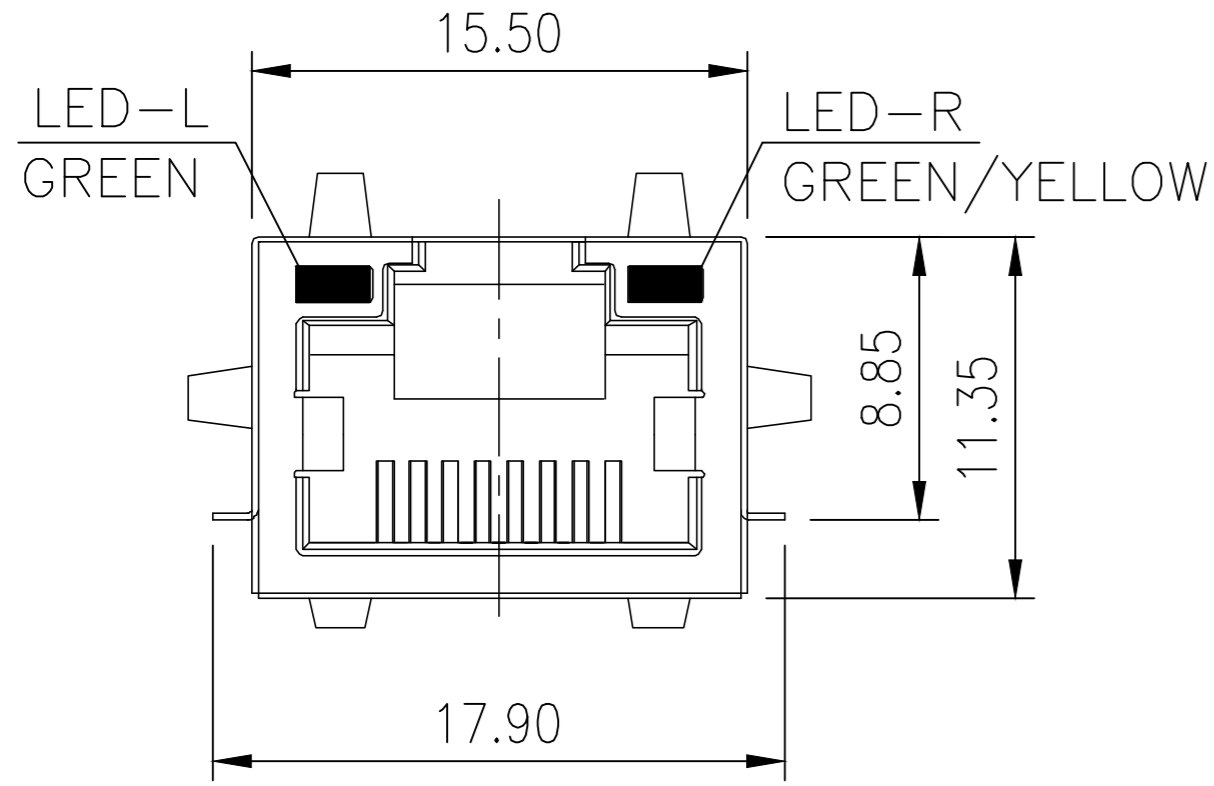


RoHS Compliant

REV	MODIFICATION	DATE	DRAW	APPROVE

Mechanical:



PCB LAYOUT

Connect Material:

Housing and inserter: LCP, UL 94V-0, Black

Shield: Copper alloy

Shield Plating: Nickel

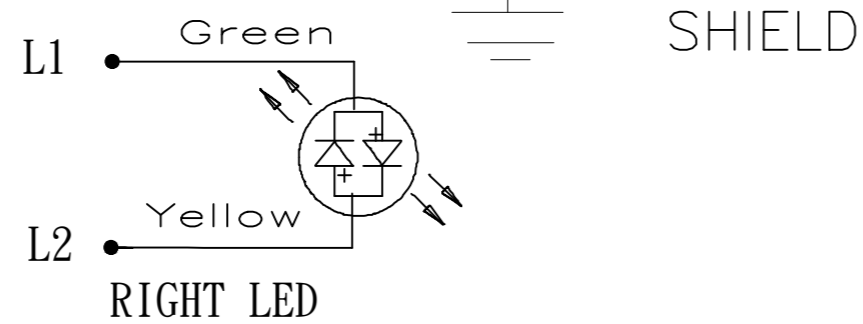
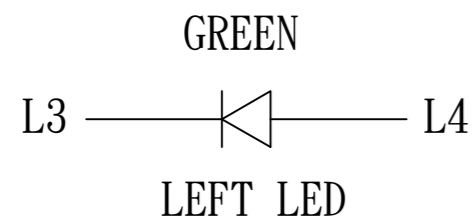
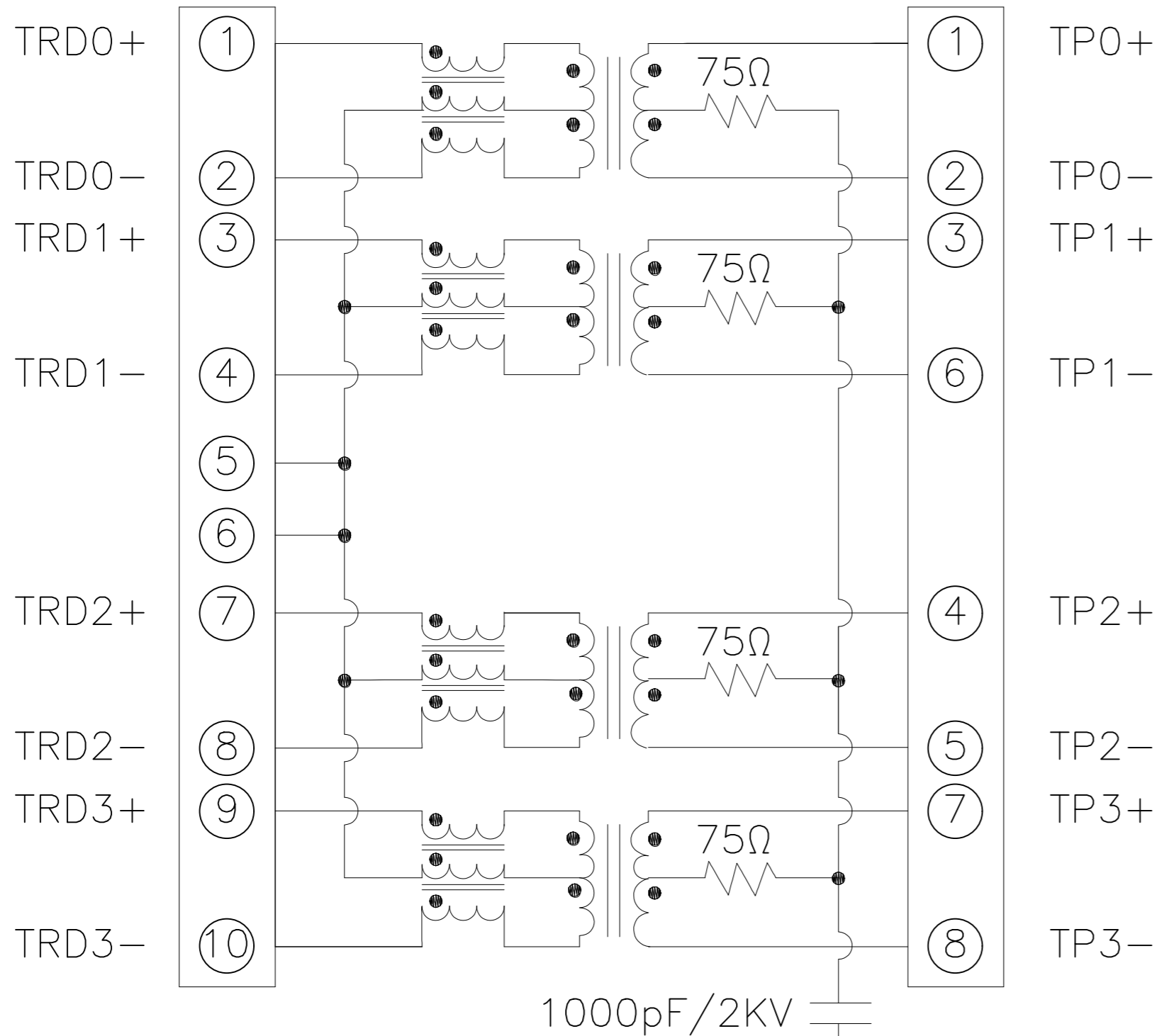
Contacts: 0.35mm thick phosphor bronze plated with 30u" gold in contact area

QC : Inspection Item	DIMENSION IN mm [Inch]		ELLAX CORPORATION	
	TOLERANCE UNLESS OTHERWISE SPECIFIED			
	.X ± 0.38	X.° ± 2.0°	DRAWING NUMBER 651EG2J4RA3	
	.XX ± 0.20	.X° ± 1.0°	DRAW KONGLEI 2019,07,25	
	.XXX ± 0.10		PROJ. SHEET X OF Y SCALE RATIO SIZE A3 REV P1	
APPROVE Corey 2019,07,25	CHECK Eason 2019,07,25			

RoHS Compliant

Schematic:

Type EG2



REV	MODIFICATION	DATE	DRAW	APPROVE

ELECTRICAL CHARACTERISTICS AT +25°C UNLESS OTHER SPECIFIED
MEETS IEEE 802.3 SPECIFICATION

PARAMETER	SPECIFICATIONS	
OPERATING TEMPERATURE	0°C TO +70°C	
TURNS RATIO	1.00 ± 2%	
POLARITY	PER SCHEMATIC	
INSERTION LOSS (SDD21&SDD12)	1-50MHz	50-125MHz
	-0.5 dB MAX	-1.0 dB MAX
PHY-SIDE RETURN LOSS (SDD11-Zref=100 OHMS ± 1%)	1-40MHz	40-200MHz
	-20 dB MIN	-20+15*LOG ₁₀ (f/40) dB MIN
LINE-SIDE RETURN LOSS (SDD22-Zref=100 OHMS ± 1%)	1-40MHz	40-200MHz
	-20 dB MIN	-20+15*LOG ₁₀ (f/40) dB MIN
INDUCTANCE (OCL)	120 uH MIN @ 100KHz, 100mV	
CROSSTALK, ADJACENT CHANNELS (SDD21-ADJ.)	1-125MHz	
	-30 dB MIN	
COMMON MODE REJECTION RATIO (SCC21)	30-200MHz	
	-30 dB MIN	
COMM. TO DIFF REJECTION RATIO (SCC12)	10-125MHz	
	-45+f/35 dB MIN	
INPUT-OUTPUT ISOLATION	2250 VDC FOR 60 SECONDS	

NOTE: f IS FREQUENCY IN MHz.

Code	RJ45 Plating			LED Code			
	Contact area	Solder tail	Under plating	Left LED		Right LED	
F	3u" gold	100u" Tin Min.	40u" Nickel Min.	+L3, -L4	-L3, +L4	+L1, -L2	-L1, +L2
1	6u" gold			Green	-	Yellow	-
2	15u" gold			Yellow	-	Green	-
3	30u" gold			Green	-	Green	-
4	50u" gold			-	Green	-	Yellow
A				Green	-	Green	-
B				-	Green	-	Yellow
C				Yellow	-	Orange	Green
D				Orange	Green	Yellow	-
E				-	Green	Green	Yellow
F				-	Green	Green	Yellow

Part Number:

XXX XXX XX X X X
① ② ③ ④ ⑤ ⑥

- ① Series No.
- ② Transformer Type.
- ③ Shield Type.
- ④ R=Standard operation temp. (0°C to +70°C)
H=Industrial operation temp. (-40°C to +85°C)
- ⑤ LED Code: See left table.
- ⑥ RJ45 Plating

Inspection Item	DIMENSION IN mm [Inch]			
	TOLERANCE UNLESS OTHERWISE SPECIFIED			
	.X ± 0.38	X.° ± 2.0°	TITLE	1x1 2.5G SMD Type
	.XX ± 0.20	.X° ± 1.0°	DRAWING NUMBER	651EG2J4RA3
	.XXX ± 0.10		DRAW	KONGLEI 2019,07,25
APPROVE	CHECK	PROJ.	SHEET X OF Y	
Corey 2019,07,25	Eason 2019,07,25		SCALE RATIO	
		SIZE	A3	
		REV	P1	