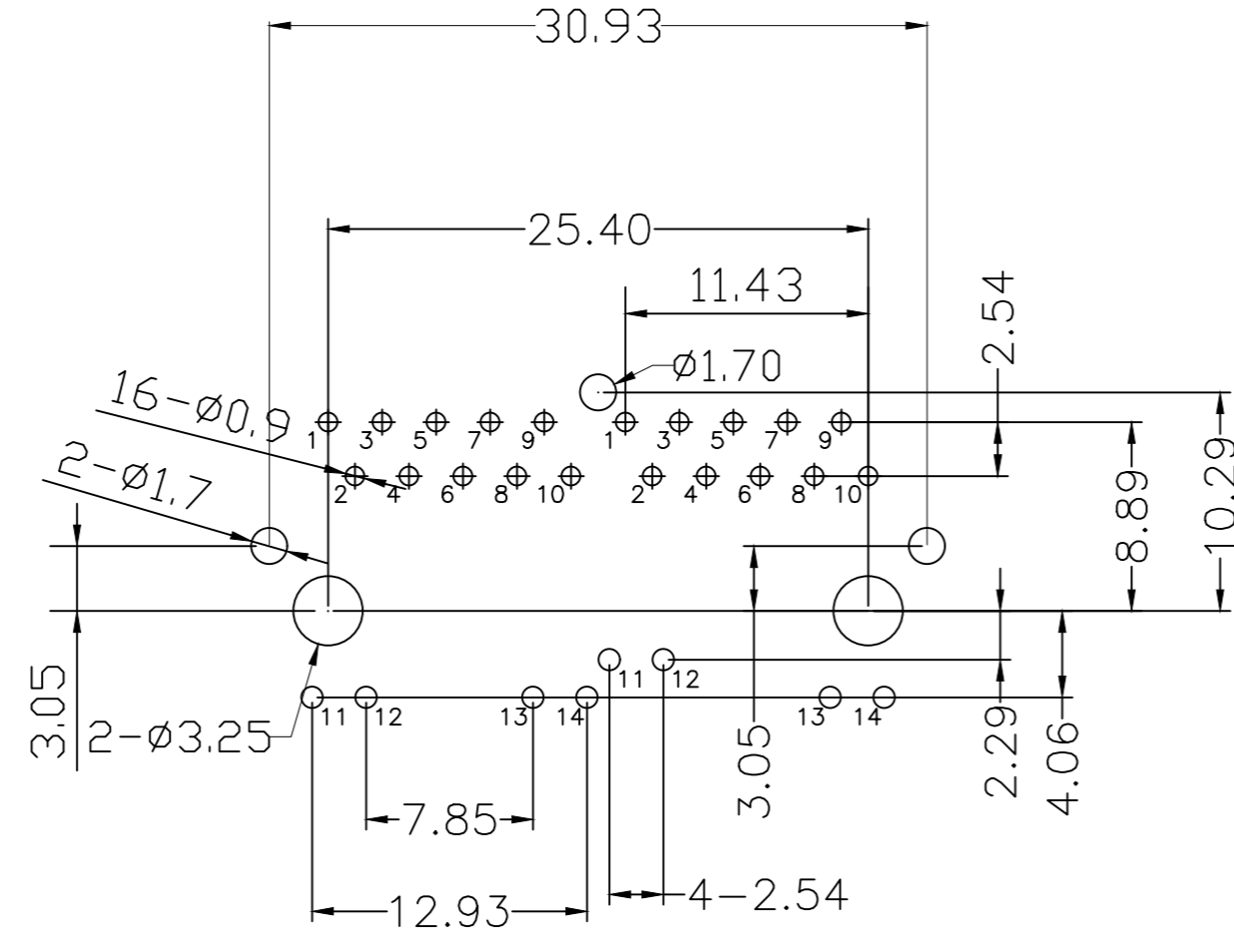
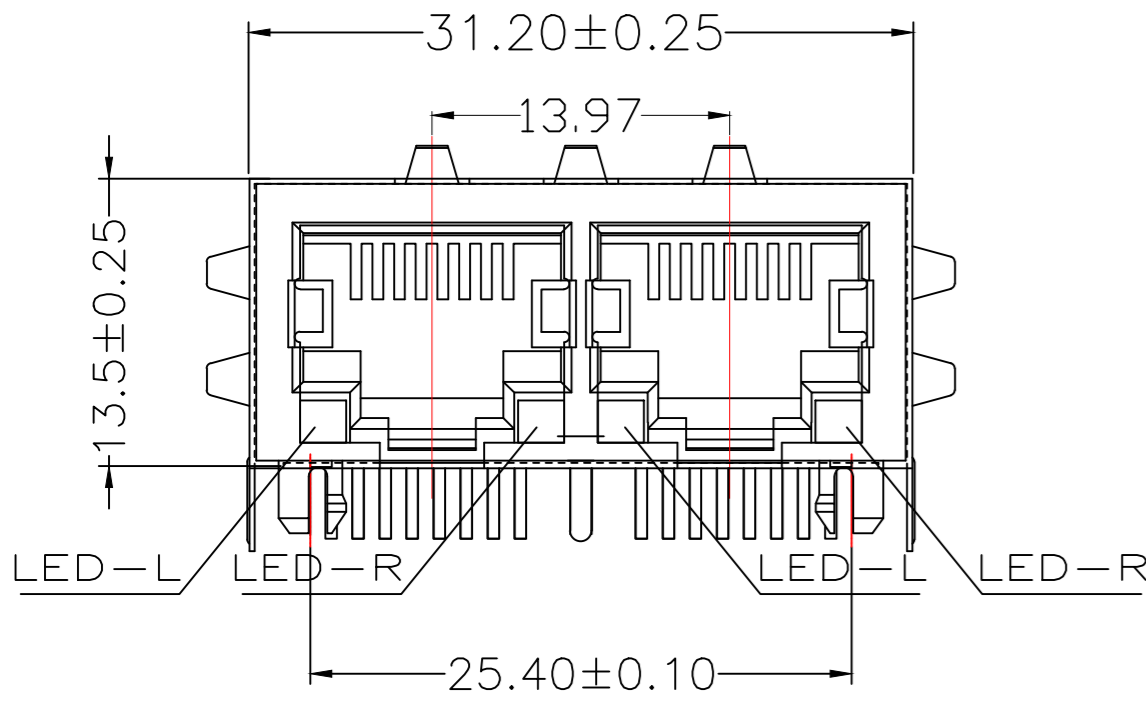
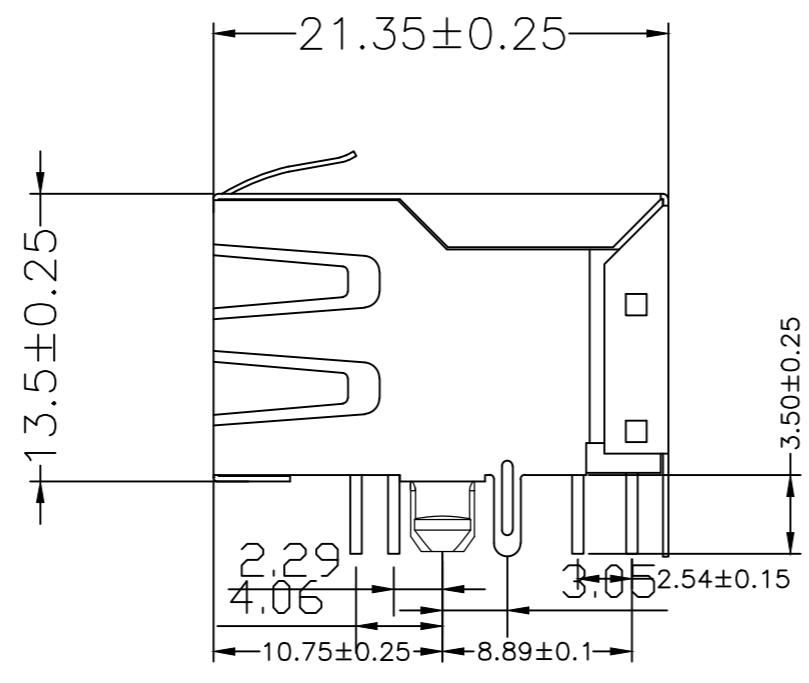
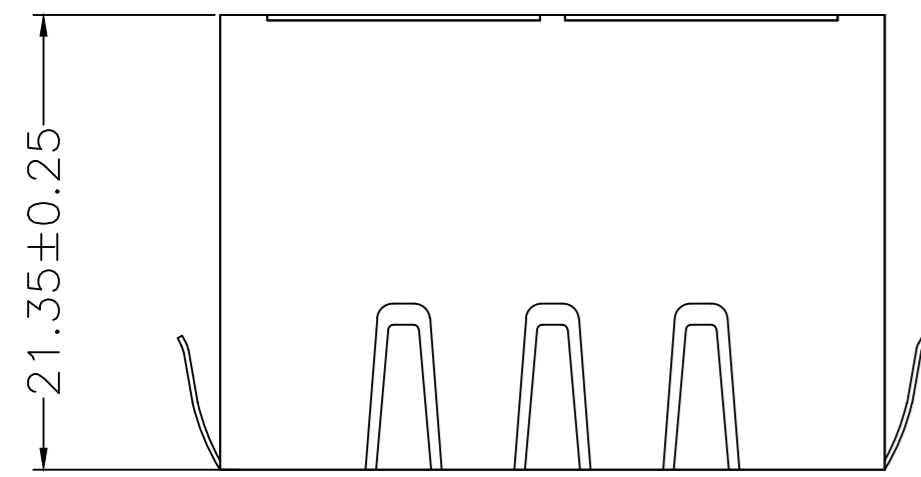


RoHS Compliant

REV	MODIFICATION	DATE	DRAW	APPROVE

Mechanical:



PCB Layout

NOTE:

1. Shielded - 0.20mm THICKNESS BRASS C2680 H. PLATING NICKEL 20u"Min.
2. Housing- Standard Material Nylon66, Glass Filled Polyester UL94V-0 Standed Color Black.
3. RJ Terminal- Plastic: Nylon66, UL94V-0, Standard Color Black. Pin: 0.35mm Thickness Phos-Bronze C5210 EH. Plating: Nickel 40u"~60u" for all and Sn 100%, and Gold Plating.
4. Input Terminal- Nylon66, Glass Filled, UL94V-0, Standard Color Black. Pin: 0.35mm SUS430. Plating: Nickel 40u"~60u" for all and Sn 100%.

QC Inspection Item	DIMENSION IN mm [Inch]		ELLAX CORPORATION				
	TOLERANCE UNLESS OTHERWISE SPECIFIED						TITLE 1x2 Tab down 2.5G Base-T
	.X ± 0.38	X.° ± 2.0°	DRAWING NUMBER 132EG2J4RA2				
	.XX ± 0.20	.X° ± 1.0°	DRAW KONGLEI 2018,10,04				
.XXX ± 0.10		APPROVE Corey 2018,10,04		CHECK Alen 2018,10,04		PROJ. SHEET X OF Y SCALE RATIO SIZE A3 REV P1	

RoHS Compliant

REV	MODIFICATION	DATE	DRAW	APPROVE

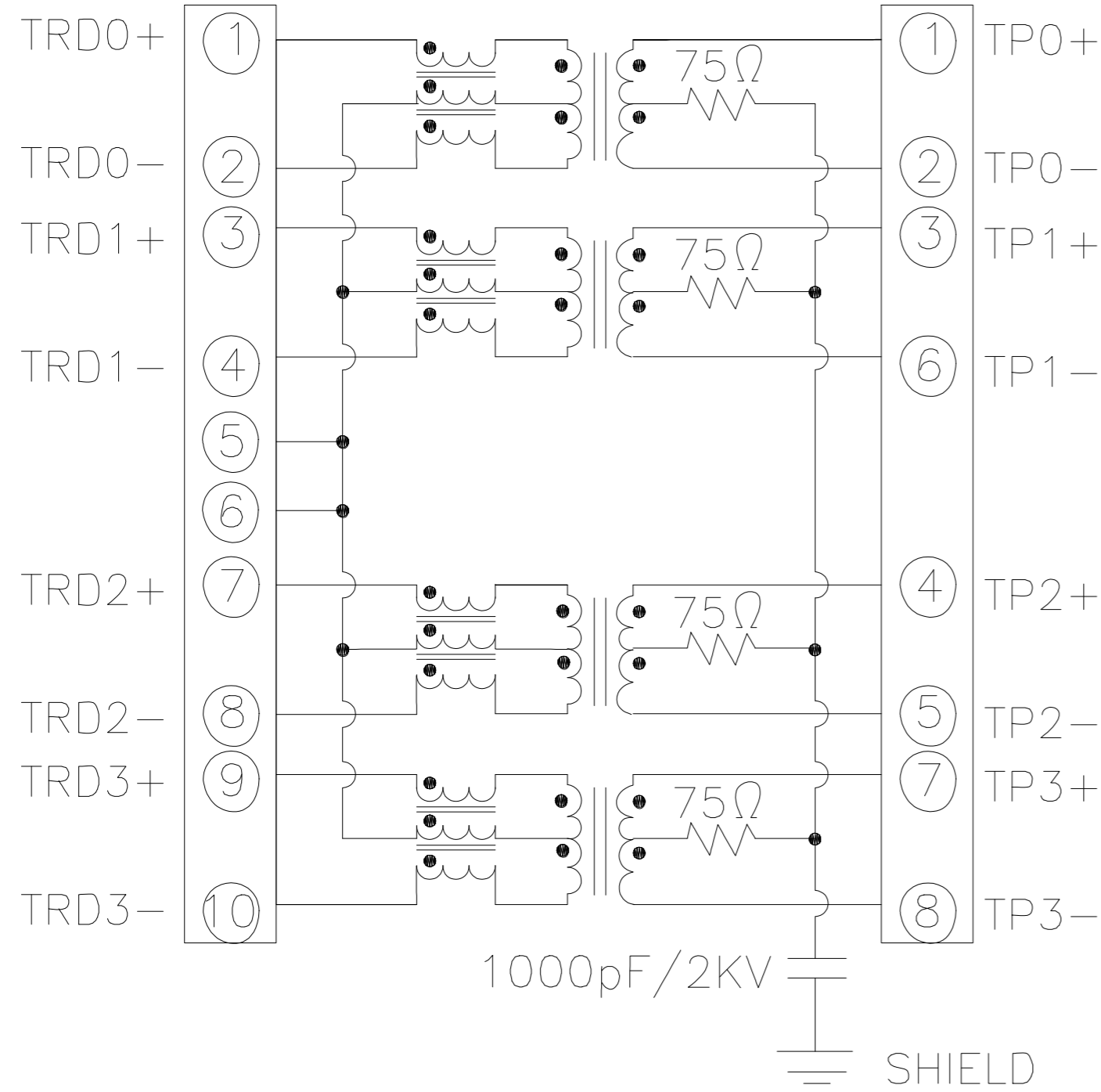
Schematic:

Type EG2

ELECTRICAL CHARACTERISTICS AT +25°C UNLESS OTHER SPECIFIED
MEETS IEEE 802.3 SPECIFICATION

PCB SIDE

CABLE SIDE

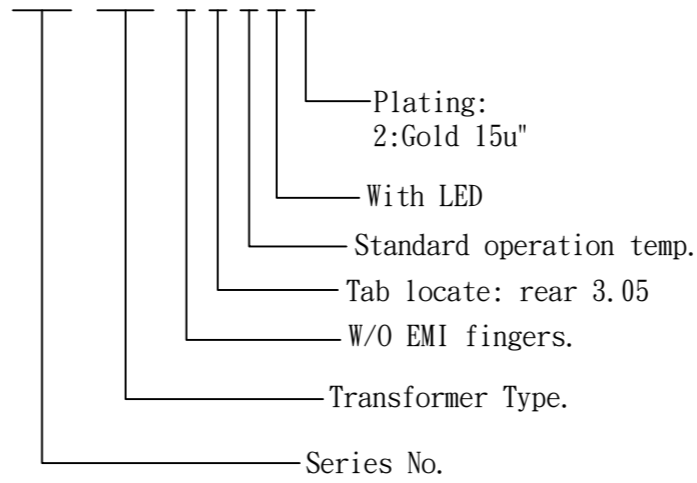


PARAMETER	SPECIFICATIONS	
OPERATING TEMPERATURE	0°C TO +70°C	
TURNS RATIO	1.00 ± 2%	
POLARITY	PER SCHEMATIC	
INSERTION LOSS (SDD21&SDD12)	1-50MHz	50-125MHz
	-0.5 dB MAX	-1.0 dB MAX
PHY-SIDE RETURN LOSS (SDD11-Zref=100 OHMS ± 1%)	1-40MHz	40-200MHz
	-20 dB MIN	-20+15*LOG10(f/40) dB MIN
LINE-SIDE RETURN LOSS (SDD22-Zref=100 OHMS ± 1%)	1-40MHz	40-200MHz
	-20 dB MIN	-20+15*LOG10(f/40) dB MIN
INDUCTANCE (OCL)	120 uH MIN @ 100KHz, 100mV	
CROSSTALK, ADJACENT CHANNELS (SDD21-ADJ.)	1-125MHz	
	-30 dB MIN	
COMMON MODE REJECTION RATIO (SCC21)	30-200MHz	
	-30 dB MIN	
COMM. TO DIFF REJECTION RATIO (SCC12)	10-125MHz	
	-45+f/35 dB MIN	
INPUT-OUTPUT ISOLATION	2250 VDC FOR 60 SECONDS	

NOTE: f IS FREQUENCY IN MHZ.

Part Number:

132EG2J4RA2



Code	RJ45 Plating			LED Code			
	Contact area	Solder tail	Under plating	Left LED		Right LED	
F	3u" gold	100u" Tin Min.	40u" Nickel Min.	A	Green	-	Yellow
1	6u" gold			B	Yellow	-	Green
2	15u" gold			C	Green	-	Green
3	30u" gold			D	-	Green	Yellow
4	50u" gold			E	-	Yellow	Green
				F	Yellow	-	Orange
				G	Orange	Green	Yellow
				L	Yellow	-	Green
				0	-	-	Orange

Part Number:

XXX XXX XX X X X

① ② ③ ④ ⑤ ⑥

- ① Series No.
- ② Transformer Type.
- ③ Shield Type.
- ④ R=Standard operation temp. (0°C to +70°C)
H=Industrial operation temp. (-40°C to +85°C)
- ⑤ LED Code: See left table.
- ⑥ RJ45 Plating

QC Inspection Item	DIMENSION IN mm [Inch]			
	TOLERANCE UNLESS OTHERWISE SPECIFIED			
	.X ± 0.38	X.° ± 2.0°	TITLE	1x2 Tab down 2.5G Base-T
	.XX ± 0.20	.X° ± 1.0°	DRAWING NUMBER	132EG2J4RA2
.XXX ± 0.10		DRAW	KONGLEI 2018,10,04	
APPROVE	CHECK	PROJ.		
Corey 2018,10,04	Alen 2018,10,04	SCALE	RATIO	
		SIZE	A3	
		REV	P1	