

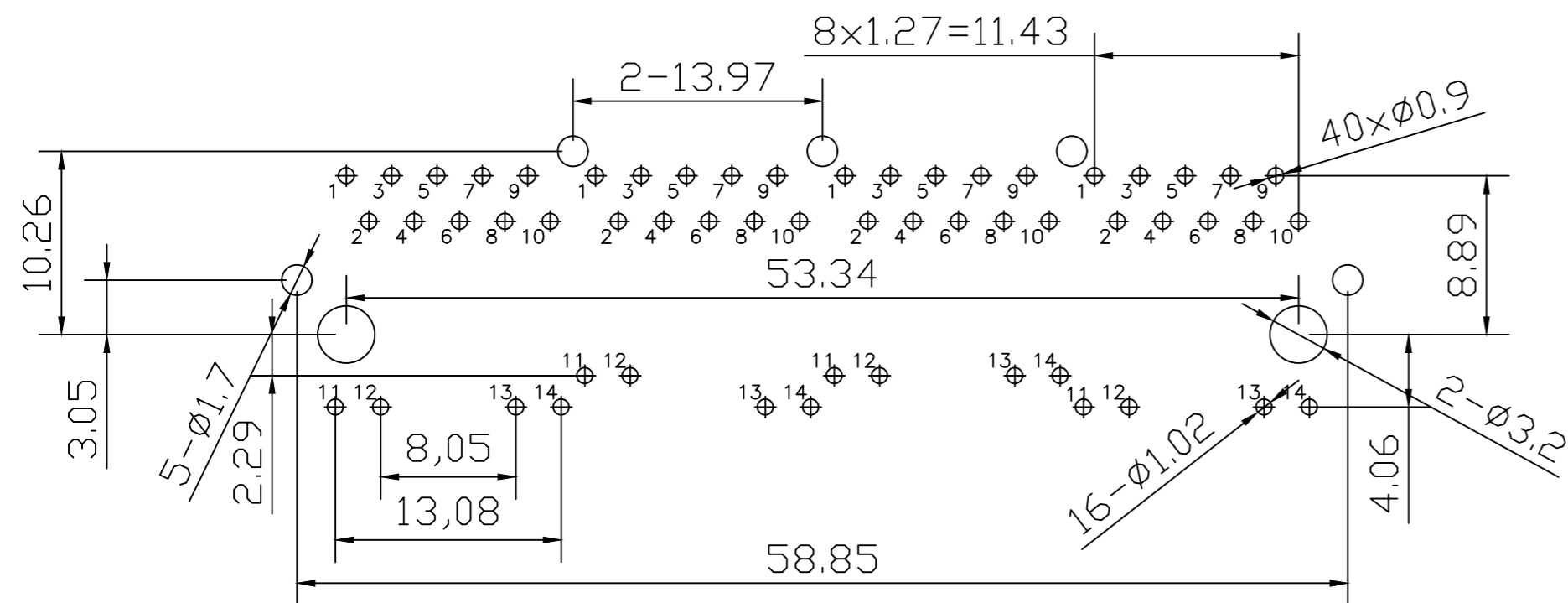
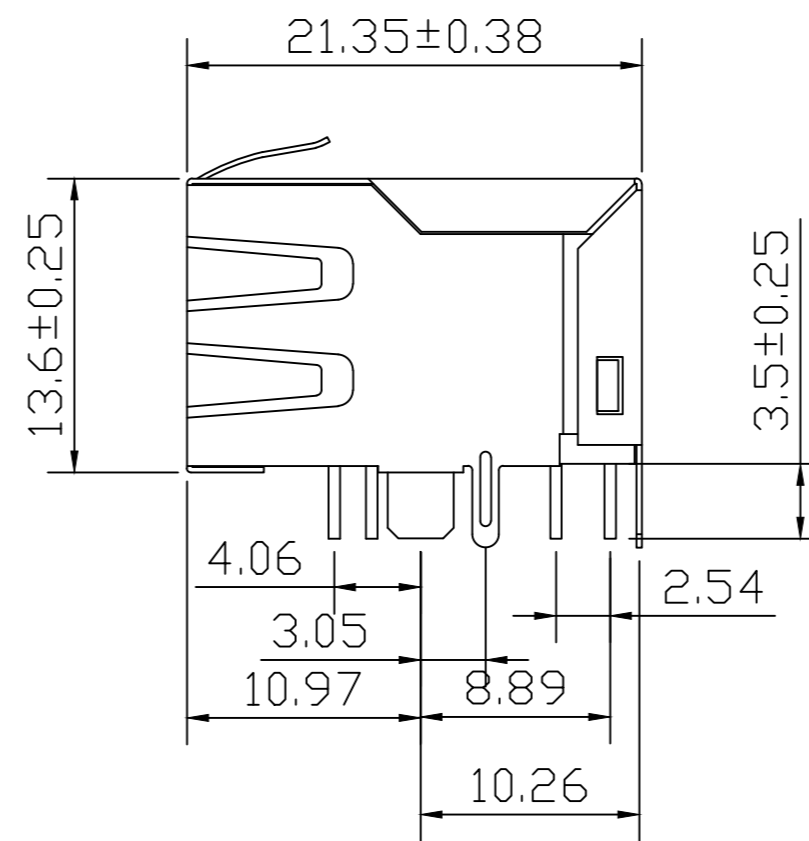
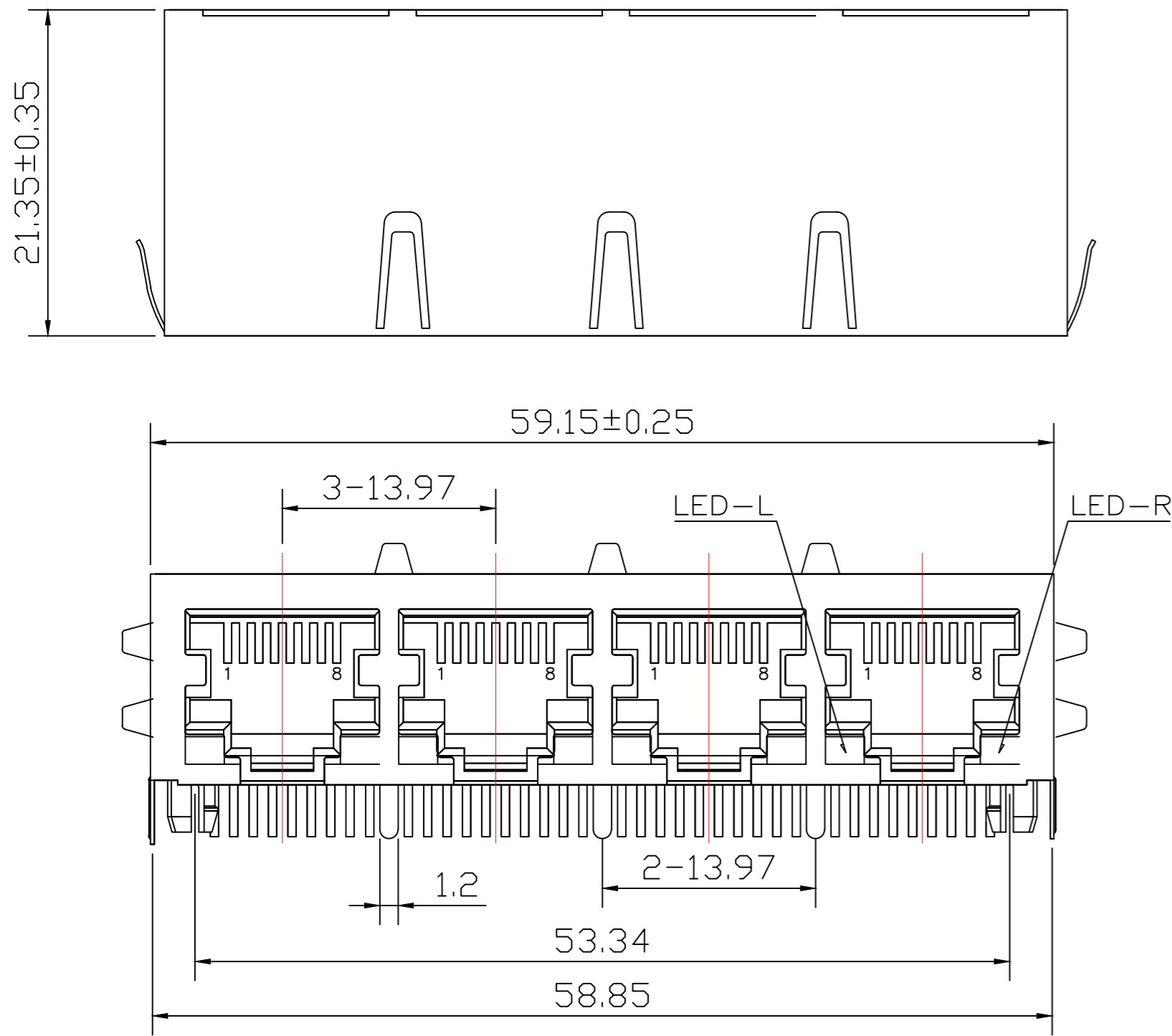
RoHS Compliant

| REV | MODIFICATION | DATE | DRAW | APPROVE |
|-----|--------------|------|------|---------|
| | | | | |
| | | | | |

Mechanical:

NOTE:

1. Shielded - 0.20mm THICKNESS BRASS C2680 H. PLATING NICKEL 20u"Min.
2. Housing- Standard Material Nylon66, Glass Filled Polyester UL94V-0 Standed Color Black.
3. RJ Terminal- Plastic: Nylon66, UL94V-0, Standard Color Black. Pin: 0.35mm Thickness Phos-Bronze C5210 EH. Plating: Nickel 40u"~60u" for all and Sn 100% ,and Gold Plating.
4. Input Terminal- Nylon66, Glass Filled, UL94V-0, Standard Color Black. Pin: 0.35mm SUS430. Plating: Nickel 40u"~60u" for all and Sn 100%.



PCB Layout

| | | | | |
|--------------------|--------------------------------------|--------------------------------|-------------------------------|---|
| QC Inspection Item | DIMENSION IN mm [Inch] | | ELLAX CORPORATION | |
| | TOLERANCE UNLESS OTHERWISE SPECIFIED | | | |
| | .X ± 0.38 | X.° ± 2.0° | DRAWING NUMBER 134EG2J4RB2 | |
| | .XX ± 0.20 | .X° ± 1.0° | DRAW KONGLEI 2018,10,04 | |
| .XXX ± 0.10 | | APPROVE Corey 2018,10,04 | CHECK Alen 2018,10,04 | PROJ. SHEET X OF Y SCALE RATIO SIZE A3 REV P1 |

RoHS Compliant

| | | | | |
|-----|--------------|------|------|---------|
| REV | MODIFICATION | DATE | DRAW | APPROVE |
| | | | | |
| | | | | |

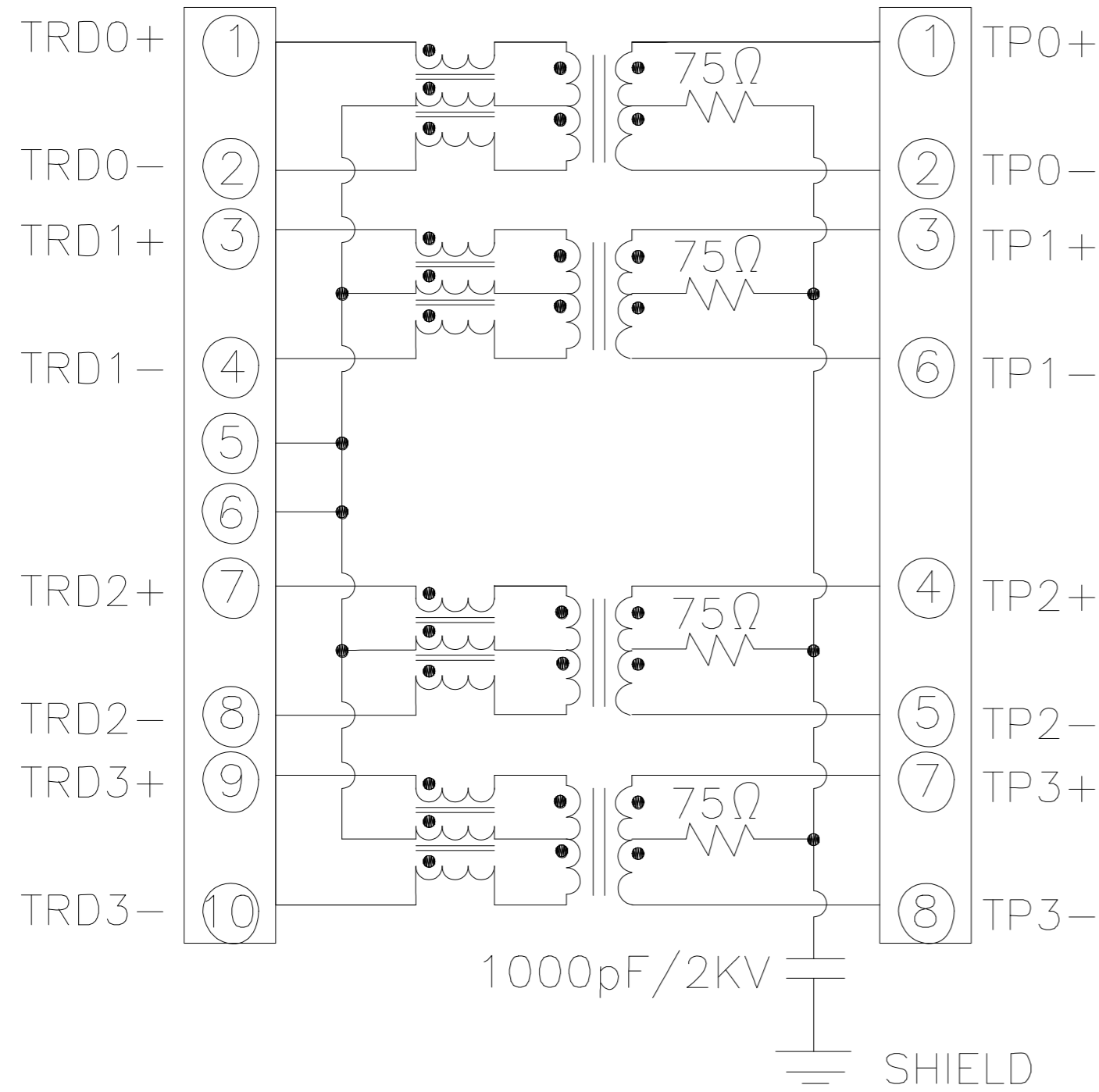
Schematic:

Type EG2

ELECTRICAL CHARACTERISTICS AT +25°C UNLESS OTHER SPECIFIED
MEETS IEEE 802.3 SPECIFICATION

PCB SIDE

CABLE SIDE

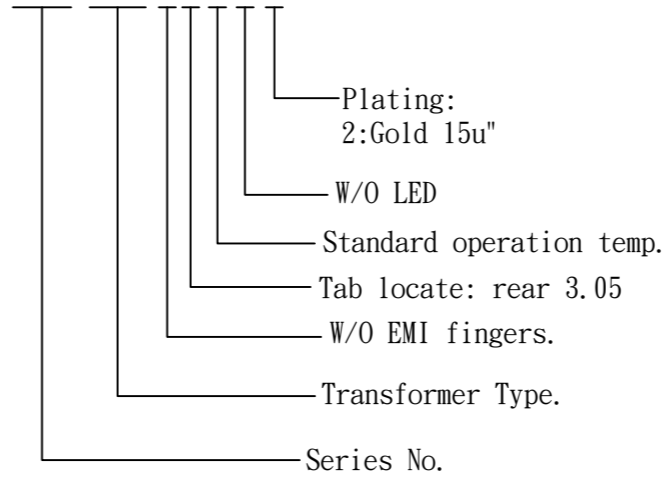


| PARAMETER | SPECIFICATIONS | |
|--|----------------------------|--|
| OPERATING TEMPERATURE | 0°C TO +70°C | |
| TURNS RATIO | 1.00 ± 2% | |
| POLARITY | PER SCHEMATIC | |
| INSERTION LOSS (SDD21&SDD12) | 1-50MHz | 50-125MHz |
| | -0.5 dB MAX | -1.0 dB MAX |
| PHY-SIDE RETURN LOSS (SDD11-Zref=100 OHMS ± 1%) | 1-40MHz | 40-200MHz |
| | -20 dB MIN | -20+15*LOG ₁₀ (f/40) dB MIN |
| LINE-SIDE RETURN LOSS (SDD22-Zref=100 OHMS ± 1%) | 1-40MHz | 40-200MHz |
| | -20 dB MIN | -20+15*LOG ₁₀ (f/40) dB MIN |
| INDUCTANCE (OCL) | 120 uH MIN @ 100KHz, 100mV | |
| CROSSTALK, ADJACENT CHANNELS (SDD21-ADJ.) | 1-125MHz | |
| | -30 dB MIN | |
| COMMON MODE REJECTION RATIO (SCC21) | 30-200MHz | |
| | -30 dB MIN | |
| COMM. TO DIFF REJECTION RATIO (SCC12) | 10-125MHz | |
| | -45+f/35 dB MIN | |
| INPUT-OUTPUT ISOLATION | 2250 VDC FOR 60 SECONDS | |

NOTE: f IS FREQUENCY IN MHZ.

Part Number:

134EG2J4RB2



| Code | RJ45 Plating | | | LED Code | | | | |
|------|--------------|----------------|------------------|----------|--------|-----------|--------|--------|
| | Contact area | Solder tail | Under plating | Left LED | | Right LED | | |
| F | 3u" gold | 100u" Tin Min. | 40u" Nickel Min. | A | Green | - | Yellow | - |
| 1 | 6u" gold | | | B | Yellow | - | Green | - |
| 2 | 15u" gold | | | C | Green | - | Green | - |
| 3 | 30u" gold | | | D | - | Green | - | Yellow |
| 4 | 50u" gold | | | E | - | Yellow | - | Green |
| | | | | F | Yellow | - | Orange | Green |
| | | | | G | Orange | Green | Yellow | - |
| | | | | L | Yellow | - | Green | Orange |
| | | | | 0 | - | - | - | - |

Part Number:

XXX XXX XX X X X

① ② ③ ④ ⑤ ⑥

- ① Series No.
- ② Transformer Type.
- ③ Shield Type.
- ④ R=Standard operation temp. (0°C to +70°C)
H=Industrial operation temp. (-40°C to +85°C)
- ⑤ LED Code: See left table.
- ⑥ RJ45 Plating

| | | | | |
|---------------------|--------------------------------------|------------|-----------------------|--------------------------|
| QC Inspection Item | DIMENSION IN mm [Inch] | | | |
| | TOLERANCE UNLESS OTHERWISE SPECIFIED | | | |
| | .X ± 0.38 | X.° ± 2.0° | TITLE | 1x4 Tab down 2.5G Base-T |
| | .XX ± 0.20 | .X° ± 1.0° | DRAWING NUMBER | 134EG2J4RB2 |
| .XXX ± 0.10 | | DRAW | KONGLEI 2018,10,04 | |
| APPROVE | CHECK | PROJ. | | |
| Corey 2018,10,04 | Alen 2018,10,04 | SCALE | RATIO | |
| | | SIZE | A3 | |
| | | REV | P1 | |