

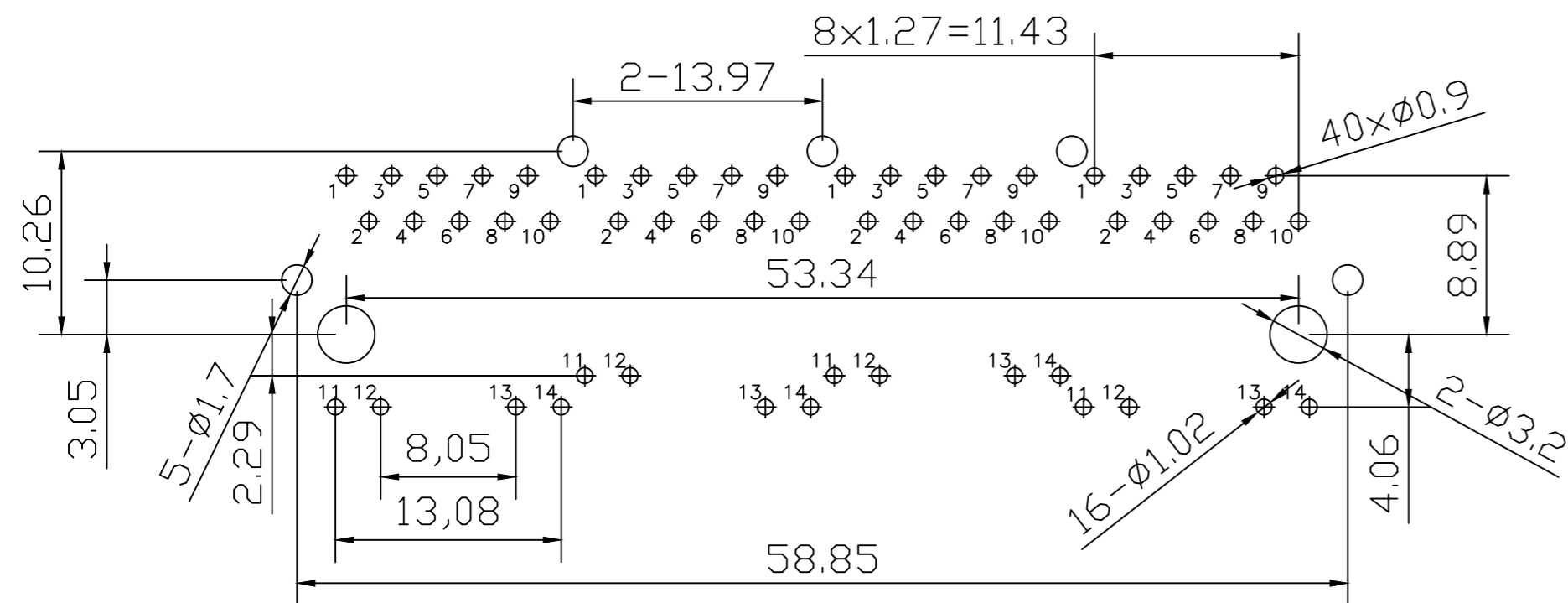
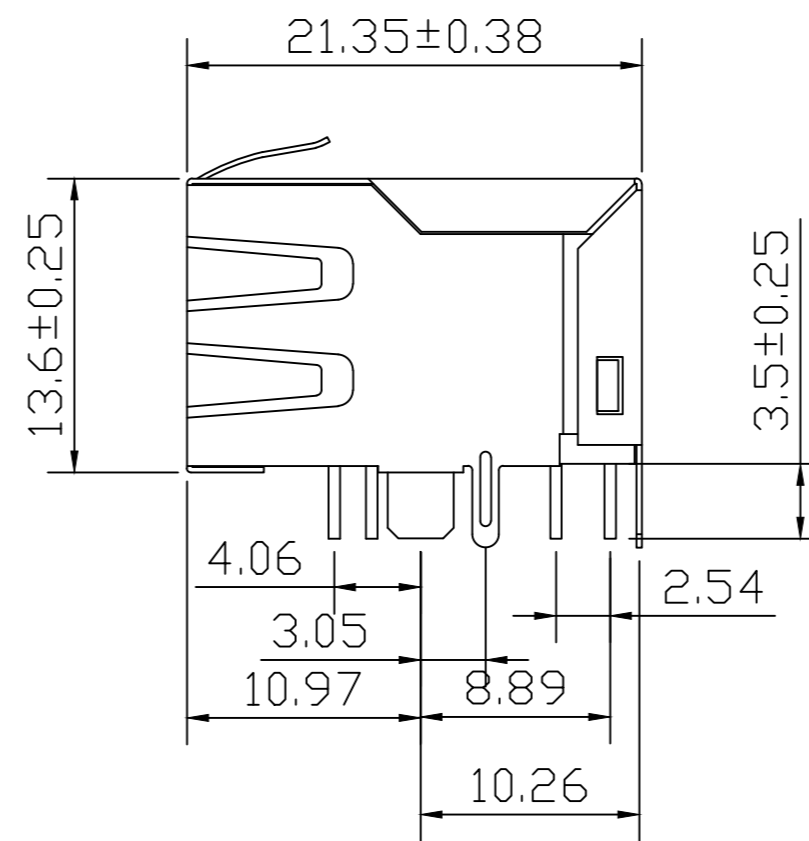
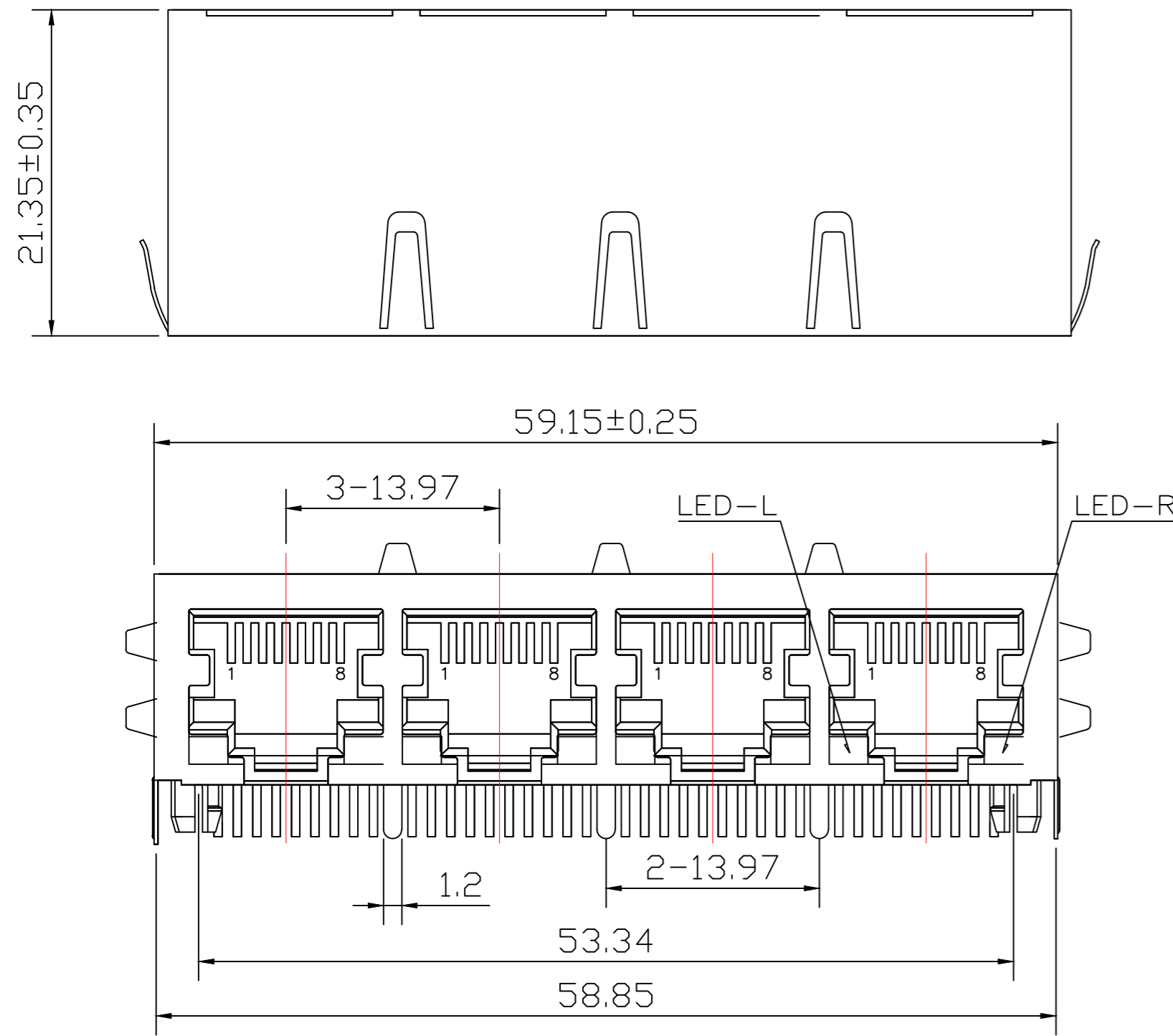
RoHS Compliant

| REV | MODIFICATION | DATE | DRAW | APPROVE |
|-----|--------------|------|------|---------|
|     |              |      |      |         |
|     |              |      |      |         |

Mechanical:

NOTE:

1. Shielded - 0.20mm THICKNESS BRASS C2680 H. PLATING NICKEL 20u"Min.
2. Housing- Standard Material Nylon66, Glass Filled Polyester UL94V-0 Standed Color Black.
3. RJ Terminal- Plastic: Nylon66, UL94V-0, Standard Color Black. Pin: 0.35mm Thickness Phos-Bronze C5210 EH. Plating: Nickel 40u"~60u" for all and Sn 100% ,and Gold Plating.
4. Input Terminal- Nylon66, Glass Filled, UL94V-0, Standard Color Black. Pin: 0.35mm SUS430. Plating: Nickel 40u"~60u" for all and Sn 100%.



PCB Layout

| QC Inspection Item | DIMENSION IN mm [Inch]               |                                | <b>ELLAX CORPORATION</b>               |                                |                        |  |
|--------------------|--------------------------------------|--------------------------------|--|--------------------------------|------------------------|--|
|                    | TOLERANCE UNLESS OTHERWISE SPECIFIED |                                | TITLE<br><b>1x4 Tab down 5G Base-T</b> |                                |                        |  |
|                    | .X ± 0.38                            | X.° ± 2.0°                     | DRAWING NUMBER<br>1345G2J4RA3          |                                |                        |  |
|                    | .XX ± 0.20                           | .X° ± 1.0°                     | DRAW<br>KONGLEI<br>2018,10,04          |                                |                        |  |
| .XXX ± 0.10        |                                      | APPROVE<br>Corey<br>2018,10,04 | CHECK<br>Alen<br>2018,10,04            | PROJ.<br>KONGLEI<br>2018,10,04 | SHEET X OF Y<br>REV P1 |  |
|                    |                                      | SCALE                          | RATIO                                  | SIZE<br>A3                     | REV P1                 |  |

RoHS Compliant

|     |              |      |      |         |
|-----|--------------|------|------|---------|
| REV | MODIFICATION | DATE | DRAW | APPROVE |
|     |              |      |      |         |
|     |              |      |      |         |

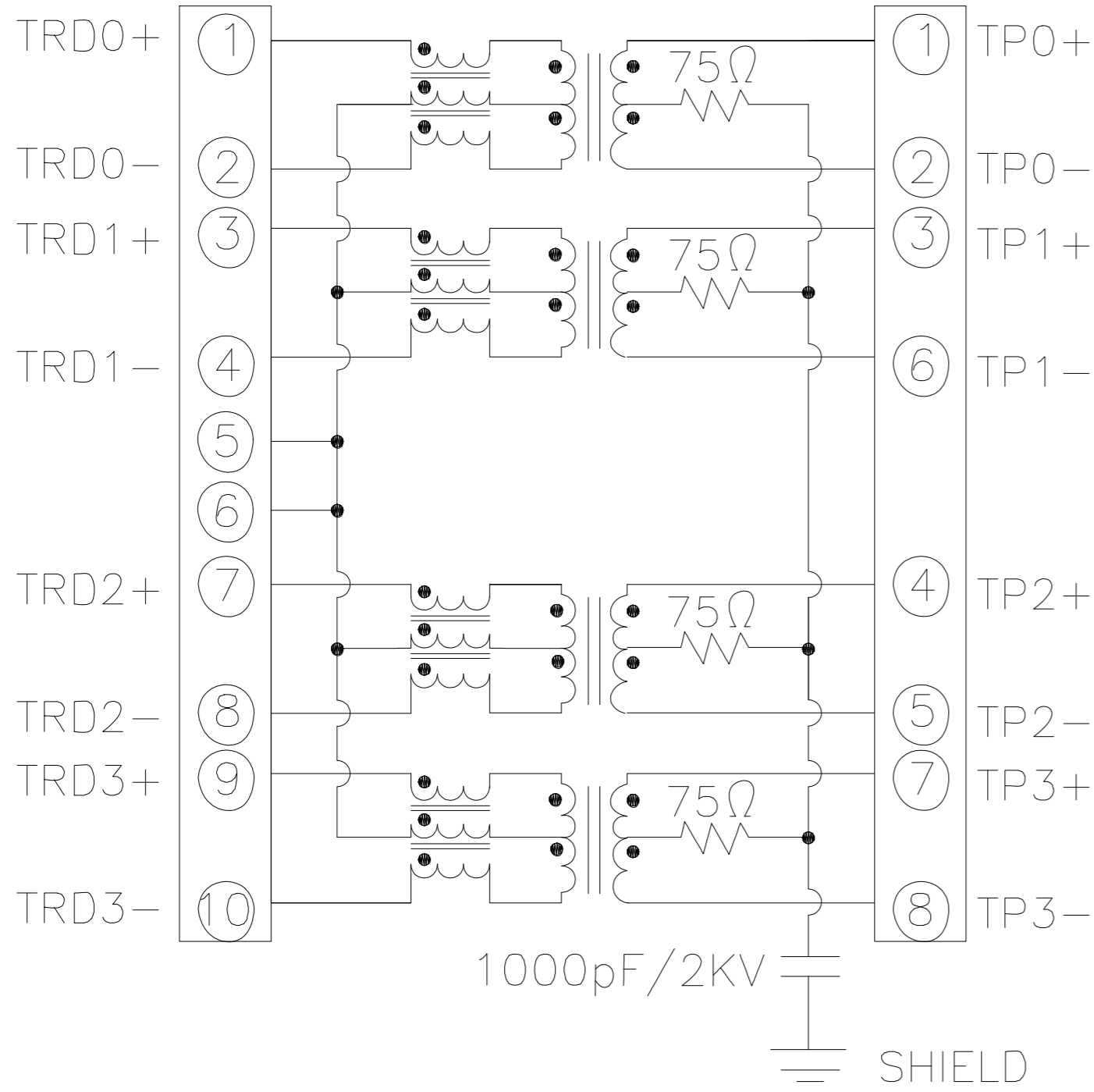
Schematic:

# Type 5G2

ELECTRICAL CHARACTERISTICS AT +25°C UNLESS OTHER SPECIFIED  
MEETS IEEE 802.3 SPECIFICATION

PCB SIDE

CABLE SIDE



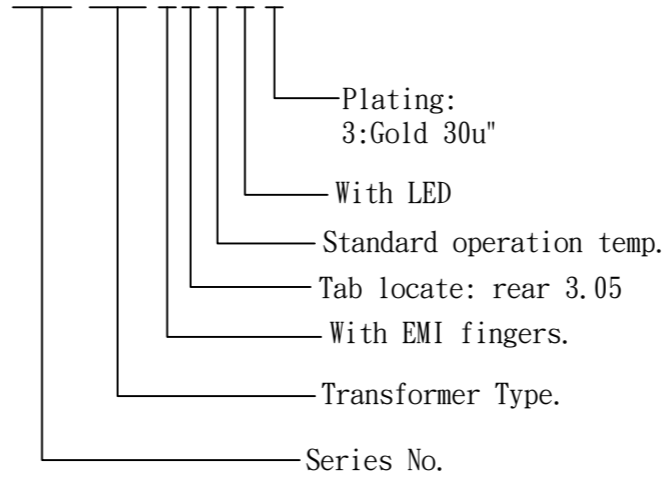
| PARAMETER   | SPECIFICATIONS             |  |             |
|---|----------------------------|--|-------------|
| OPERATING TEMPERATURE                               | 0°C TO +70°C               |  |             |
| URNS RATIO  | 1.00 ± 2%                  |  |             |
| POLARITY  | PER SCHEMATIC              |  |             |
| INSERTION LOSS<br>(SDD21&SDD12)                     | 1-50MHz                    | 50-125MHz                              | 125-250MHz  |
|   | -0.5 dB MIAx               | -1.0 dB MAX                            | -1.5 dB MAX |
| PHY-SIDE RETURN LOSS<br>(SDD11-Zref=100 OHMS ± 1%)  | 1-40MHz                    | 40-250MHz                              |             |
|   | -20 dB MIN                 | -20+15*LOG <sub>10</sub> (f/40) dB MIN |             |
| LINE-SIDE RETURN LOSS<br>(SDD22-Zref=100 OHMS ± 1%) | 1-40MHz                    | 40-250MHz                              |             |
|   | -20 dB MIN                 | -20+15*LOG <sub>10</sub> (f/40) dB MIN |             |
| INDUCTANCE (OCL)                                    | 120 uH MIN @ 100KHz, 100mV |  |             |
| CROSSTALK, ADJACENT CHANNELS<br>(SDD21-ADJ.)        | 1-125MHz                   | 125-250MHz                             |             |
|   | -30 dB MIN                 | -20 dB MIN                             |             |
| COMMON MODE REJECTION RATIO<br>(SCC21)              | 30-250MHz                  |  |             |
| COMM. TO DIFF REJECTION RATIO<br>(SDC12)            | 10-250MHz                  |  |             |
|   | -45+f/35 dB MIN            |  |             |
| INPUT-OUTPUT ISOLATION                              | 2250 VDC FOR 60 SECONDS    |  |             |

NOTE: f IS FREQUENCY IN MHz.



Part Number:

1345G2J4RA3



| Code | RJ45 Plating |                |                  | LED Code |        |           |        |
|------|--------------|----------------|------------------|----------|--------|-----------|--------|
|      | Contact area | Solder tail    | Under plating    | Left LED |        | Right LED |        |
| F    | 3u" gold     | 100u" Tin Min. | 40u" Nickel Min. | A        | Green  | -         | Yellow |
| 1    | 6u" gold     |                |                  | B        | Yellow | -         | Green  |
| 2    | 15u" gold    |                |                  | C        | Green  | -         | Green  |
| 3    | 30u" gold    |                |                  | D        | -      | Green     | Yellow |
| 4    | 50u" gold    |                |                  | E        | -      | Yellow    | Green  |
|      |              |                |                  | F        | Yellow | -         | Orange |
|      |              |                |                  | G        | Orange | Green     | Yellow |
|      |              |                |                  | L        | Yellow | -         | Green  |
|      |              |                |                  | 0        | -      | -         | Orange |

Part Number:

XXX XXX XX X X X

- ① Series No.
- ② Transformer Type.
- ③ Shield Type.
- ④ R=Standard operation temp. (0°C to +70°C)  
H=Industrial operation temp. (-40°C to +85°C)
- ⑤ LED Code: See left table.
- ⑥ RJ45 Plating

|                    |                                      |                          |                       |             |                |
|--------------------|--------------------------------------|--------------------------|-----------------------|-------------|----------------|
| QC Inspection Item | DIMENSION IN mm [Inch]               |                          |                       |             |                |
|                    | TOLERANCE UNLESS OTHERWISE SPECIFIED |                          |                       |             | TITLE          |
|                    | .X ± 0.38   X.° ± 2.0°               | .XX ± 0.20   .X.° ± 1.0° | DRAWING NUMBER        | 1345G2J4RA3 |                |
|                    | .XXX ± 0.10                          | APPROVE                  | CHECK                 | DRAW        | PROJ.          |
|                    | Corey<br>2018,10,04                  | Alen<br>2018,10,04       | KONGLEI<br>2018,10,04 | SCALE 1:1   | SIZE A3 REV P1 |