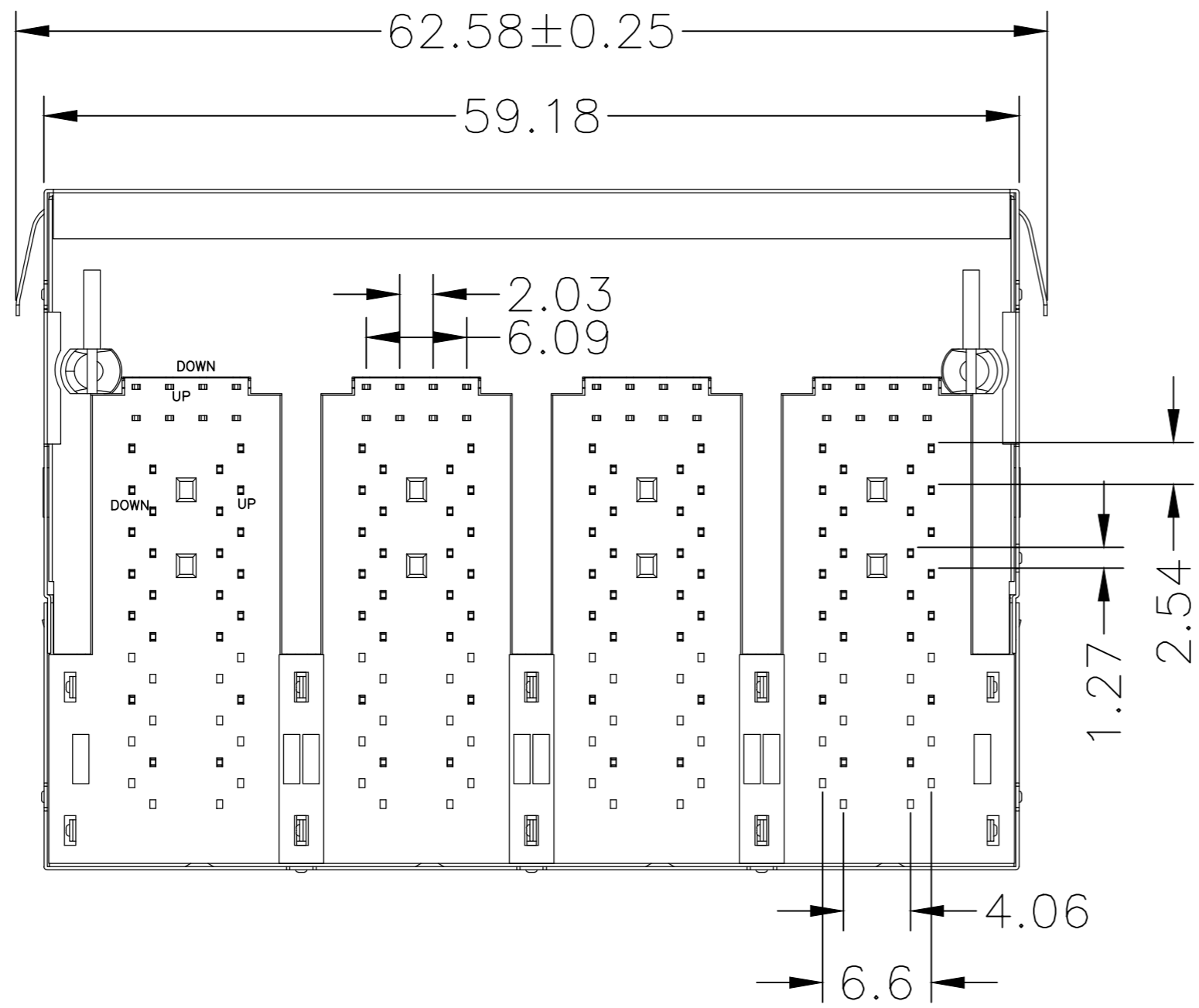
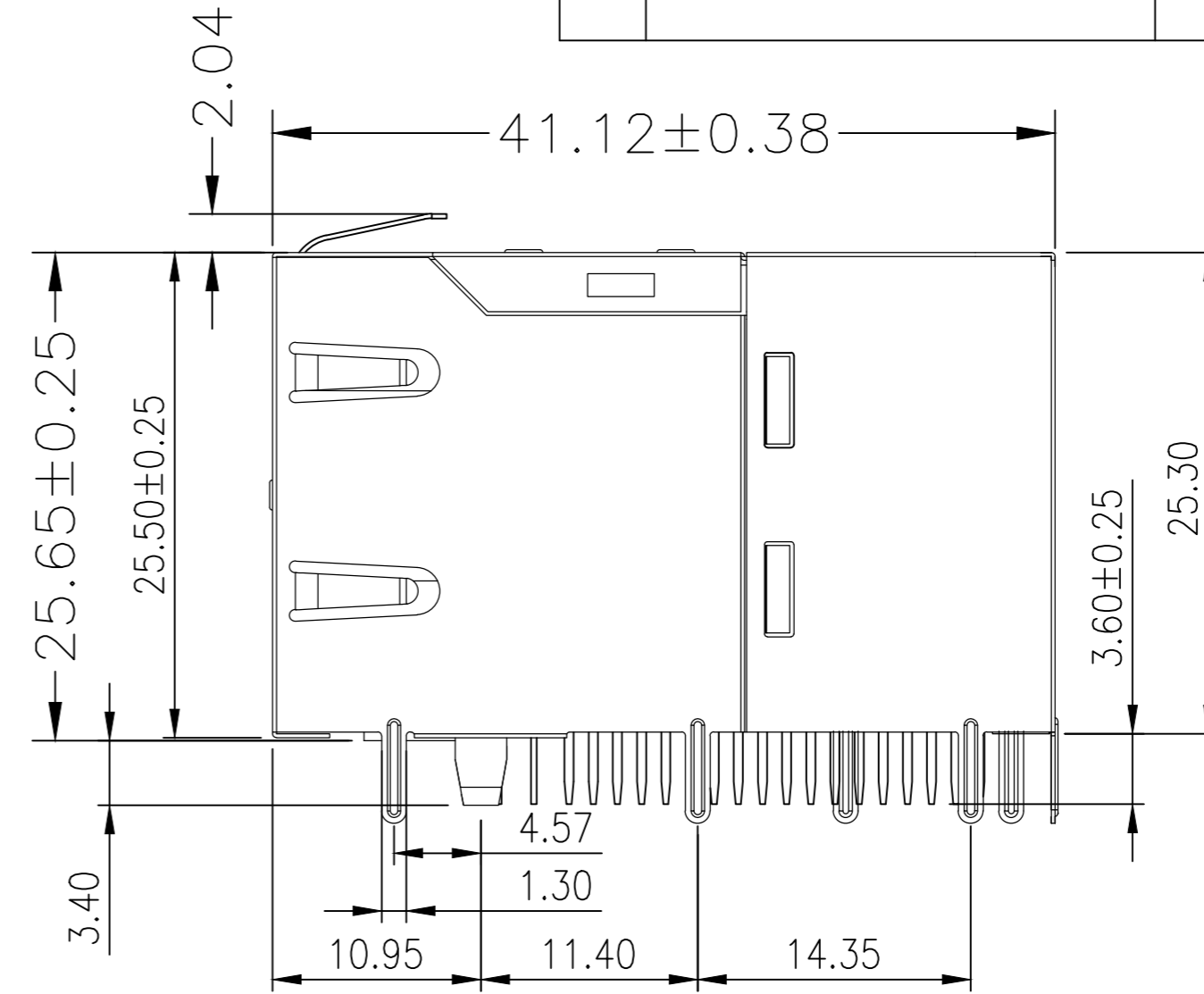
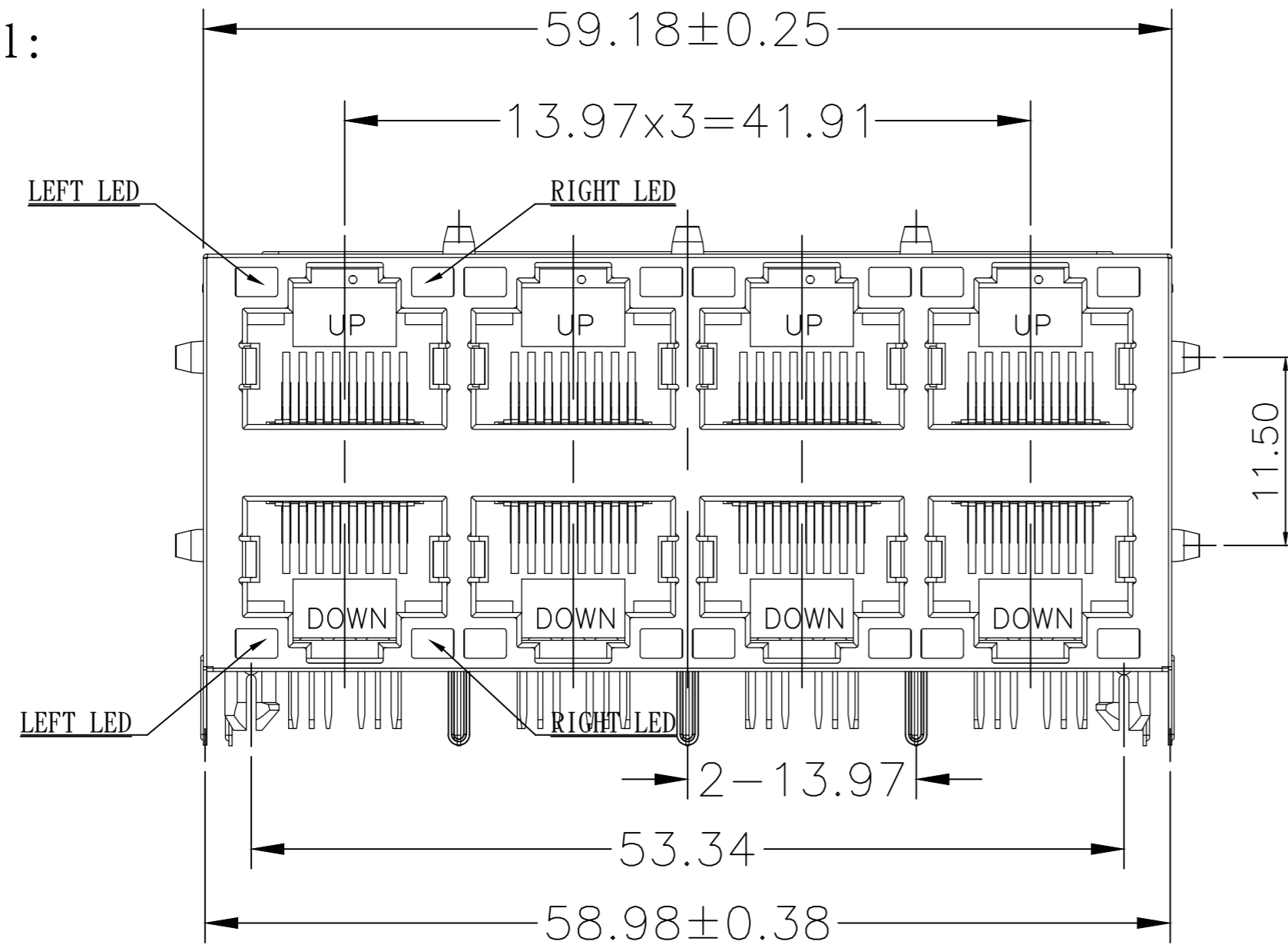


RoHS Compliant

REV	MODIFICATION	DATE	DRAW	APPROVE

Mechanical:



NOTE:

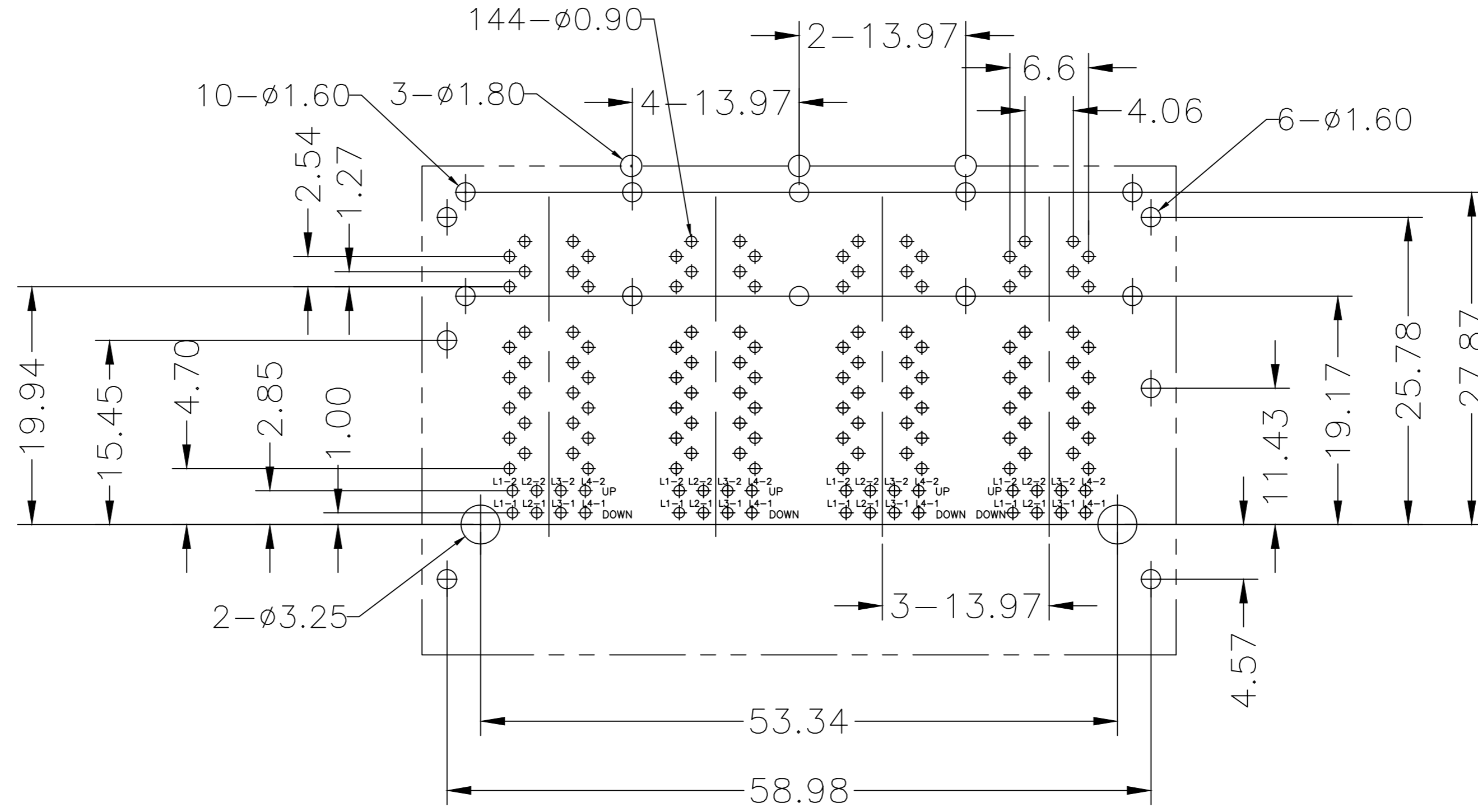
1. Shielded – 0.20mm THICKNESS BRASS C2680 H. PLATING NICKEL 20u”Min.
2. Housing – Standard Material FR52, Glass Filled Polyester UL94V-0 Standed Color Black.
3. RJ Terminal – Plastic: FR52, UL94V-0, Standard Color Black. Pin: 0.35mm Thickness Phos-Bronze C5210 EH. Plating: Nickel 40u”~60u” for all and Sn 100% ,and Gold Plating.
4. Input Terminal – FR52, Glass Filled, UL94V-0, Standard Color Black. Pin: 0.35mm Thickness Phos-Bronze C2680. Plating: Nickel 40u”~60u” for all and Sn 100%.

QC : Inspection Item	DIMENSION IN mm [Inch]		<b>ELLAX CORPORATION</b>				
	TOLERANCE UNLESS OTHERWISE SPECIFIED		TITLE RJ45 2X4 10/100/1000 BASE-T PoE type				
	.X ± 0.38	X.° ± 2.0°	DRAWING NUMBER 754GCOJ1HB3				
	.XX ± 0.20	.X° ± 1.0°	DRAW Eason 2020,01,13				
.XXX ± 0.10		APPROVE WP 2020,01,13		CHECK Oliver 2020,01,13		PROJ.  SHEET X OF Y SCALE 1:1 SIZE A3 REV A	

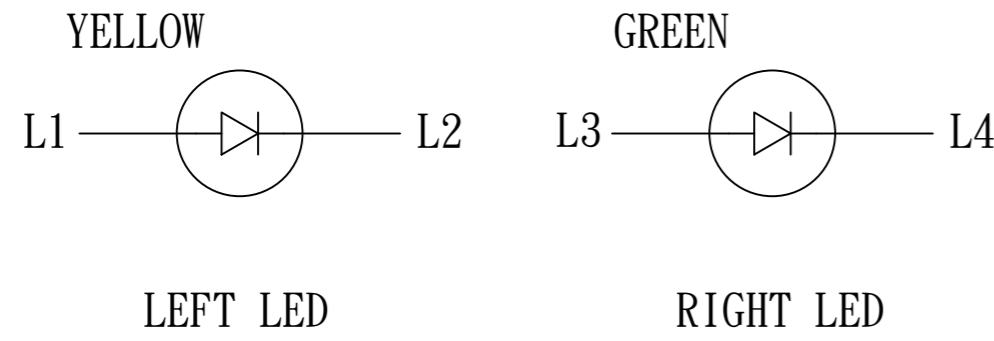
RoHS Compliant

Mechanical:

REV	MODIFICATION	DATE	DRAW	APPROVE



PCB Layout



LEFT LED

RIGHT LED

Code	RJ45 Plating			LED Code				
	Contact area	Solder tail	Under plating	Left LED		Right LED		
F	3u" gold	100u" Tin Min.	40u" Nickel Min.	A	Green	-	Yellow	-
1	6u" gold			B	Yellow	-	Green	-
2	15u" gold			C	Green	-	Green	-
3	30u" gold			D	-	Green	-	Yellow
4	50u" gold			E	-	Yellow	-	Green
				F	Yellow	-	Orange	Green
				K	Green	-	Green	Yellow
				0	-	-	-	-

Part Number:

XXX XXX XX X X X

- ① Series No.
- ② Transformer Type.
- ③ Shield Type.
- ④ R-Standard operation temp. (0°C to +70°C)  
H=Industrial operation temp. (-40°C to +85°C)
- ⑤ LED Code: See left table.
- ⑥ RJ45 Plating

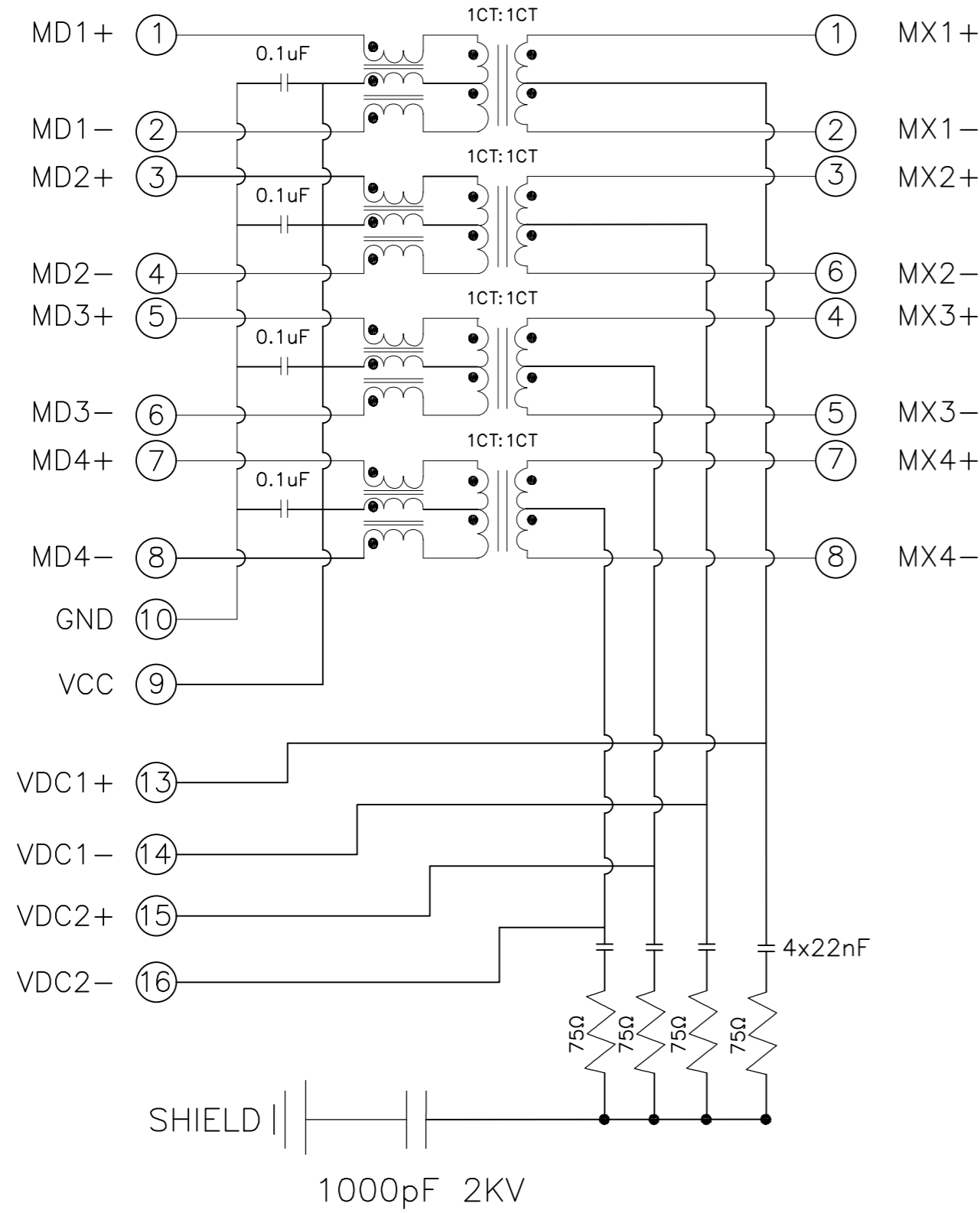
Inspection Item	DIMENSION IN mm [Inch]		ELLAX CORPORATION	
	TOLERANCE UNLESS OTHERWISE SPECIFIED		TITLE	
	.XX± 0.38	X.°± 2.0°	RJ45 2X4 10/100/1000 BASE-T PoE type	
	.XX± 0.20	.X°± 1.0°	DRAWING NUMBER	
.XXX± 0.10		754GCOJ1HB3		
APPROVE	CHECK	DRAW	PROJ.	SHEET X OF Y
WP 2020,01,13	Oliver 2020,01,13	Eason 2020,01,13	⊕	A3
			SCALE 1:1	REV A

RoHS Compliant

REV	MODIFICATION	DATE	DRAW	APPROVE

Schematic:

# Type GC0



## ELECTRICAL SPECIFICATIONS@25°C

- HI-POT: 2250VDC
- L.C.R @ 25°C:
  - PRIMARY INDUCTANCE(OCL):  
T1~T4: 130uH Min. @100KHz/100mVRMS,0mA DC BIAS
  - URNS RATIO:  
PRIMARY:SECONDARY 1CT:1CT +2%
  - DCR: T1~T4:< 1.2 ohm
- HIGH FREQENCY (Unit: dB)
  - IL (INSERTION LOSS) Sdd12/Sdd21 T1~T4  
1-20 MHz ,> -0.8dB  
20-50 MHz ,> -1.0dB  
50-200 MHz > -1.2dB  
200-400 MHz > -2.0dB  
400-500 MHz > -3.0dB
  - RL (RETURN LOSS):  
1-40 MHz < -16dB  
40-400 MHz < -16dB+10Log(Freq MHz/40MHz)dB  
400-500 MHz < -6dB+30Log(Freq MHz/400MHz)dB
  - CROSS TALK(NEXT): Sdd21  
100-500 MHz < -30dB REF
  - COMMON TO DIFFERENTIAL MODE CONVERSION(PHY TO PHY) Sdc11:  
1-150 MHz < -30dB REF  
150-500 MHz < -25dB REF
- Compliant with IEEE 802.3bt for 10G Base-T applications  
Balanced DC line current: 1000mA MAX @57VDC continuous

Part Number:

754GC0J1HB3

- Plating: 3:Gold 30u"
- LED CODE
- H=Industrial operation temp.(-40°C to +85°C)
- Locate: front of tab 4.57
- With L/R EMI fingers.
- Transformer Type.
- Series No For PoE.

Inspection Item	DIMENSION IN mm [Inch]		EULAX CORPORATION	
	TOLERANCE UNLESS OTHERWISE SPECIFIED		TITLE	
	.X± 0.38	X.°± 2.0°	RJ45 2X4 10/100/1000 BASE-T PoE type	
	.XX± 0.20	.X°± 1.0°	DRAWING NUMBER	
.XXX± 0.10		754GC0J1HB3		
APPROVE	CHECK	DRAW	PROJ.	SHEET X OF Y
WP 2020,01,13	Oliver 2020,01,13	Eason 2020,01,13	SCALE 1:1	SIZE A3 REV A