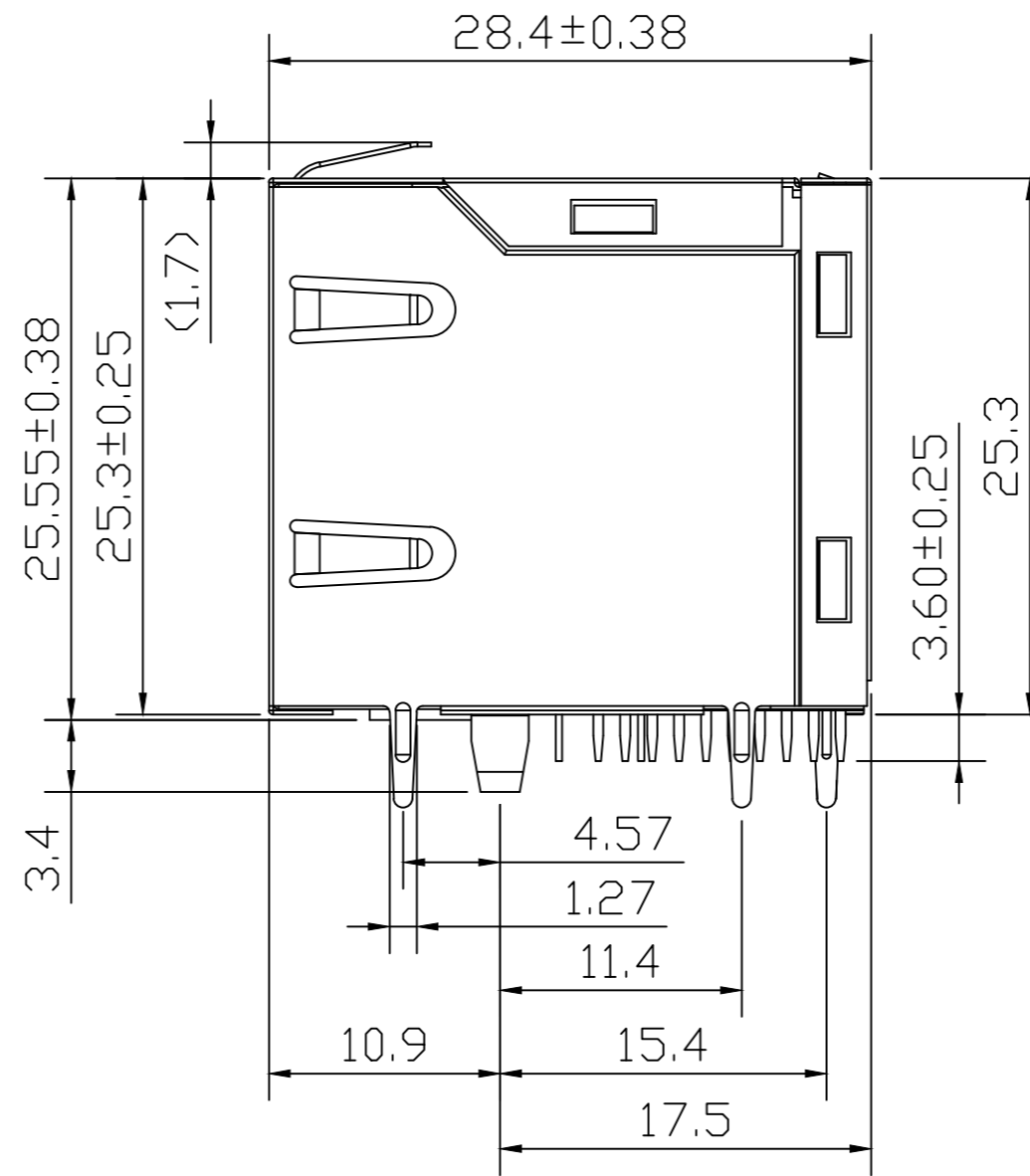
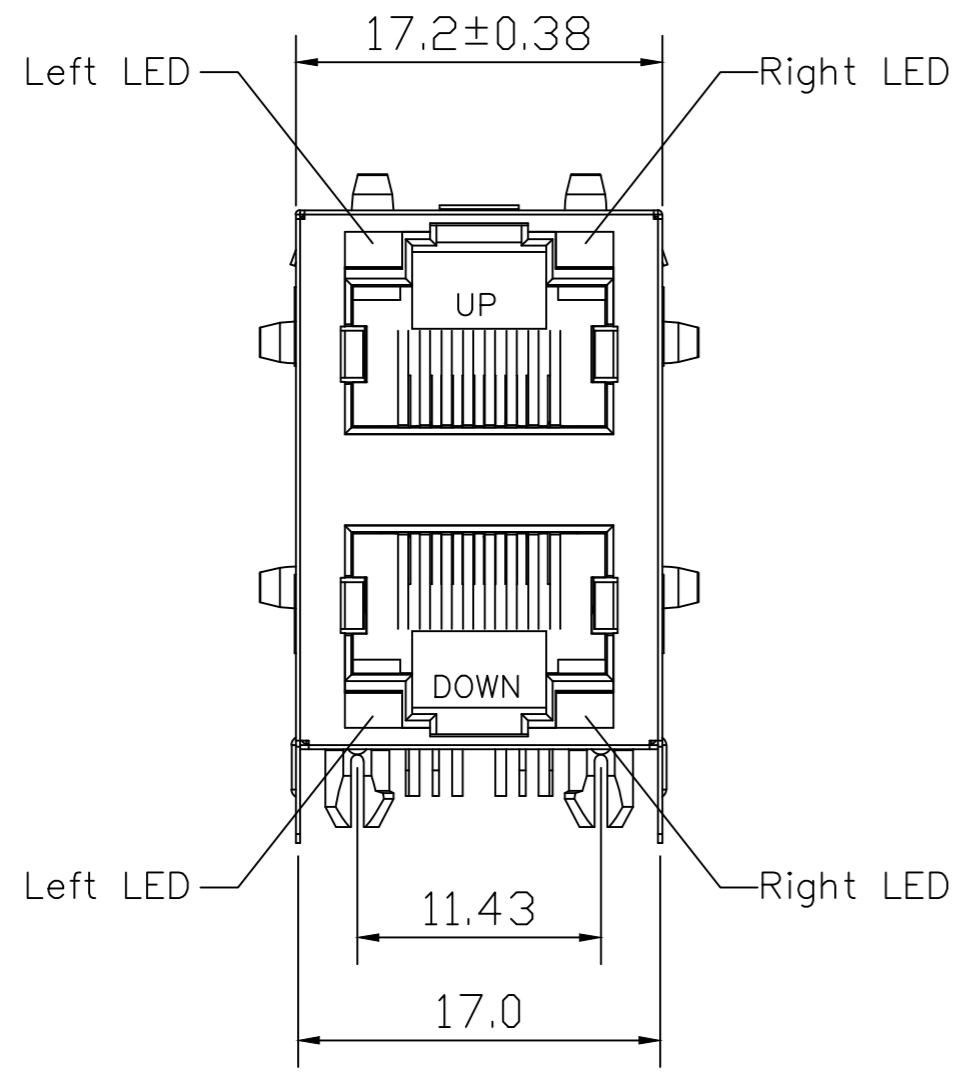
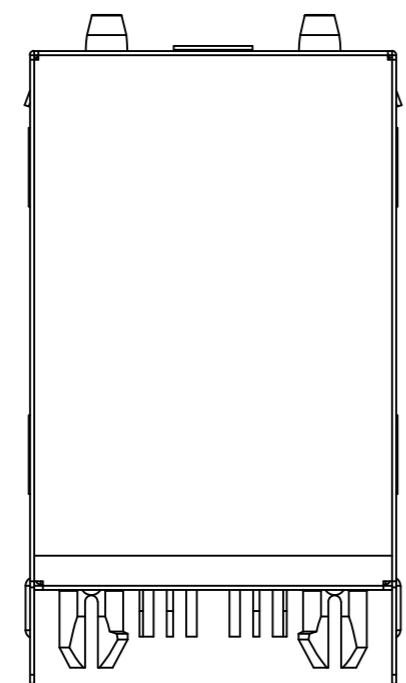
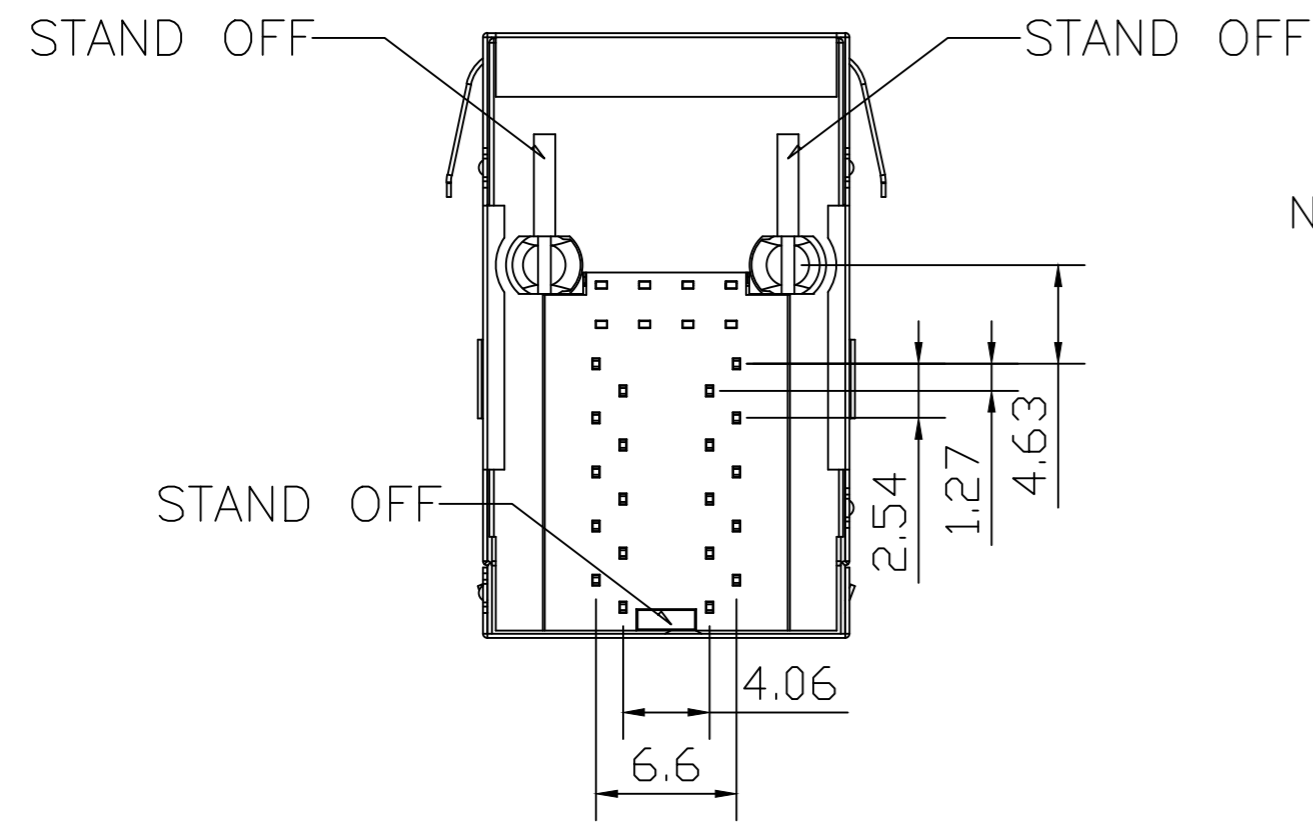
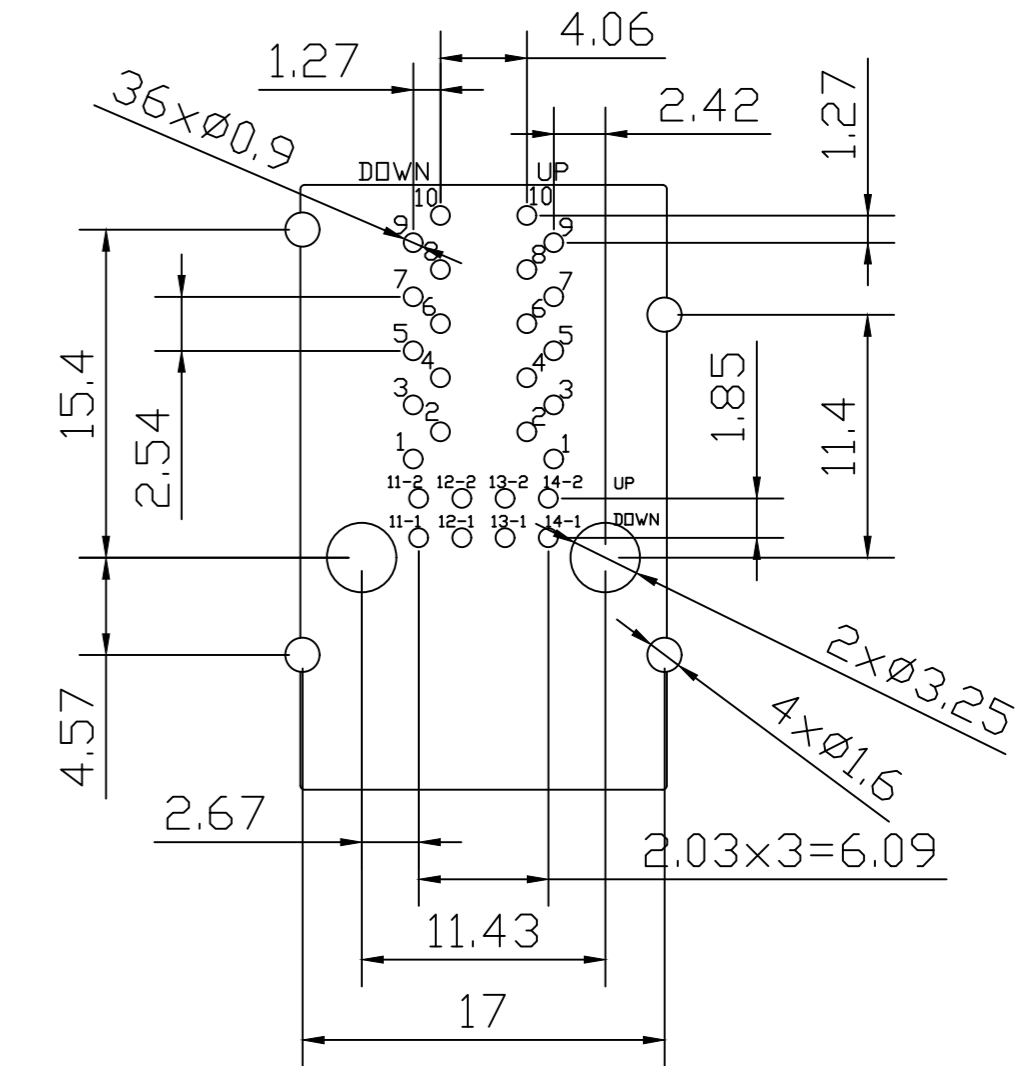


RoHS Compliant

Mechanical:



REV	MODIFICATION	DATE	DRAW	APPROVE



NOTE:

1. Shielded – 0.20mm THICKNESS BRASS C2680 H. PLATING NICKEL 20u”Min.
2. Housing– Standard Material Nylon66, Glass Filled Polyester UL94V-0 Standed Color Black.
3. RJ Terminal– Plastic: Nylon66, UL94V-0, Standard Color Black. Pin: 0.35mm Thickness Phos-Bronze C5210 EH. Plating: Nickel 40u”~60u” for all and Sn 100% ,and Gold Plating.
4. Input Terminal – Plastic: Nylon66, Glass Filled, UL94V-0, Standard Color Black. Pin: 0.35mm Thickness Phos-Bronze C5191. Plating: Nickel 40u”~60u” for all and Sn 100%.

RECOMMENDED PCB LAYOUT COMPONENT SIDE
ALL DIMENSION TOLERANCE ARE ±0.05 UNLESS OTHERWISE SPECIFIED

QC Inspection Item	DIMENSION IN mm [Inch]		ELLAX CORPORATION			
	TOLERANCE UNLESS OTHERWISE SPECIFIED					
	.X ± 0.38	X.° ± 2.0°	DRAWING NUMBER 721T02J1RA3			
	.XX ± 0.20	.X° ± 1.0°				
	.XXX ± 0.10		DRAW KONGLEI 2018,10,04		PROJ. SHEET X OF Y	
APPROVE Corey 2018,10,04		CHECK Alen 2018,10,04		SCALE RATIO SIZE A3 REV P1		

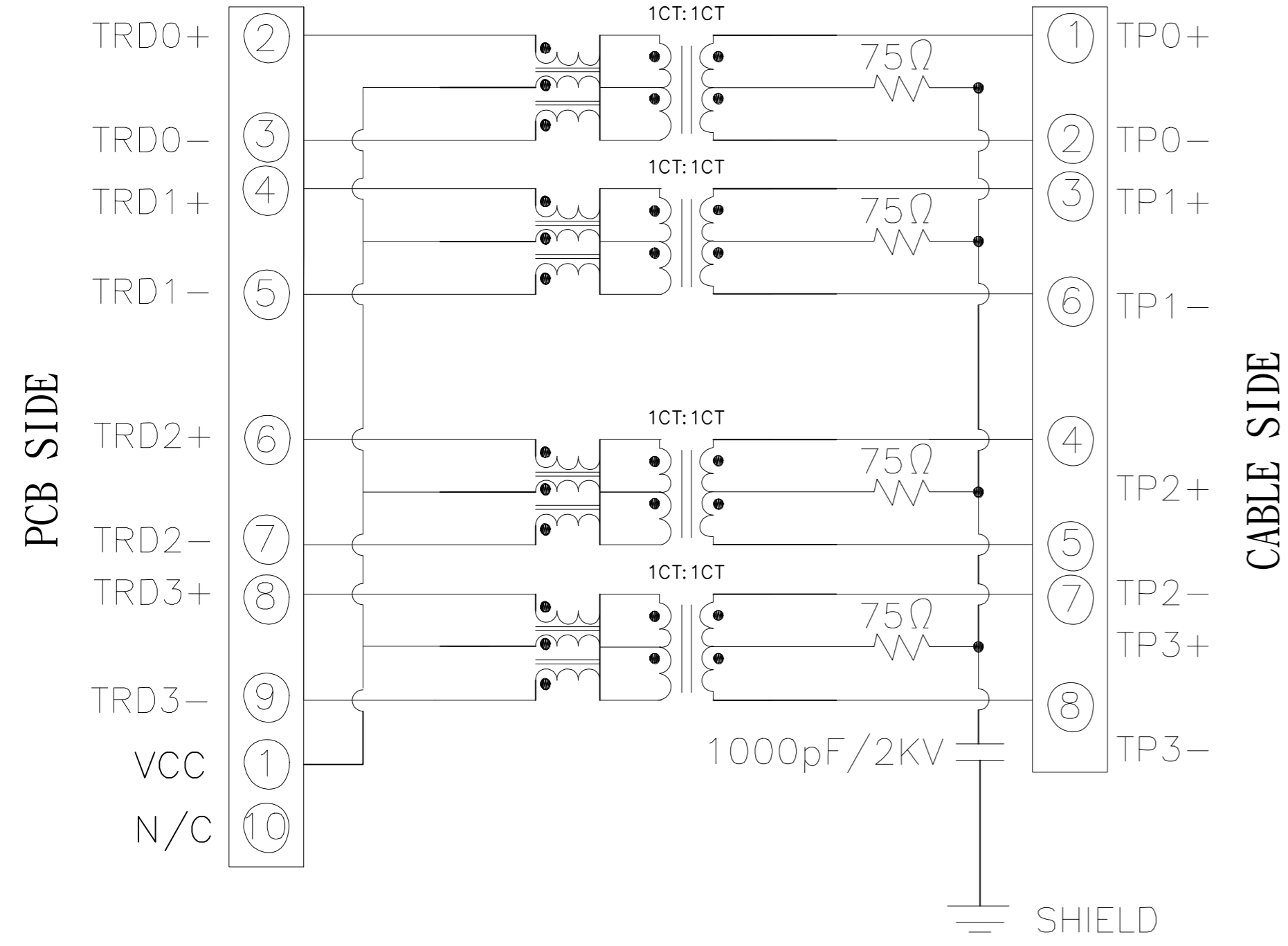
RoHS Compliant

REV	MODIFICATION	DATE	DRAW	APPROVE

Schematic:

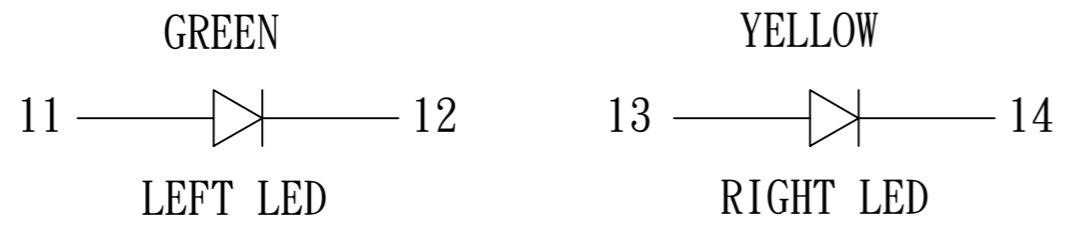
Type T02

ELECTRICAL CHARACTERISTICS AT +25°C UNLESS OTHER SPECIFIED
MEETS IEEE 802.3 SPECIFICATION

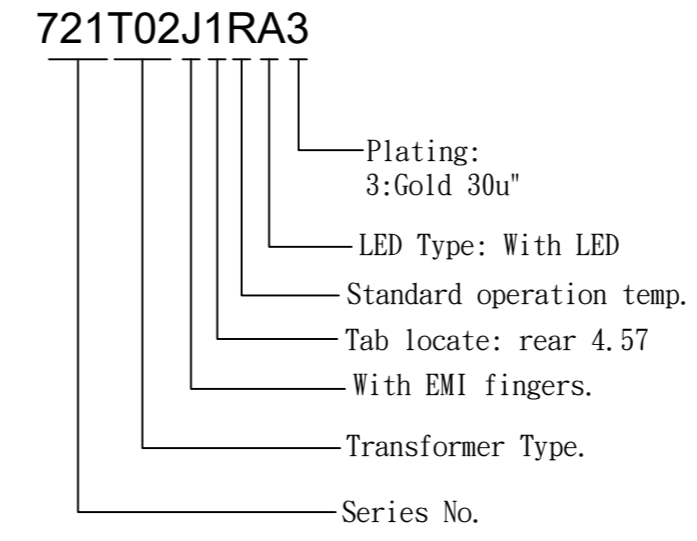


PARAMETER	SPECIFICATIONS			
OPERATING TEMPERATURE	0°C TO +70 °C			
TURNS RATIO	1.00 ± 2%			
POLARITY	PER SCHEMATIC			
INSERTION LOSS (SDD21&SDD12)	1-65MHz	65-125MHz	125-400MHz	400-500MHz
	-0.8dB MAX	-1.0dB MAX	-2.5dB MAX	-3.5dB MAX
PHY-SIDE RETURN LOSS (SDD11-Zref=100 OHMS ± 1%) (SDD22-Zref=100 OHMS ± 1%)	1-40MHz	40-400MHz	300-500MHz	
	-18dB MIN	-18+10*LOG(f/40)dB MIN	-8+30*LOG(f/400)dB MIN	
INDUCTANCE (OCL)	120 uH MIN @ 100KHz, 100mV			
CROSSTALK, ADJACENT CHANNELS (SDD21-ADJ.)	1-100MHz		100-500MHz	
	-30dB MIN		-20dB MIN	
COMMON MODE REJECTION RATIO (SCC21)	1-100MHz	100-300MHz	300-500MHz	
	-30dB MIN	-22dB MIN	-17dB MIN	
COMM. TO DIFF REJECTION RATIO (SDC12)	1-100MHz	100-300MHz	300-500MHz	
	-32dB MIN	-27dB MIN	-22dB MIN	
PCB SIDE-CABLE SIDE ISOLATION	2250 VDC FOR 60 SECONDS			

NOTE: f IS FREQUENCY IN MHz.



Part Number:



Code	RJ45 Plating			LED Code				
	Contact area	Solder tail	Under plating	Left LED		Right LED		
F	3u" gold	100u" Tin Min.	40u" Nickel Min.	A	Green	-	Yellow	-
1	6u" gold			B	Yellow	-	Green	-
2	15u" gold			C	Green	-	Green	-
3	30u" gold			D	-	Green	-	Yellow
4	50u" gold			E	-	Yellow	-	Green
				F	Yellow	-	Orange	Green
				G	Orange	Green	Yellow	-
				L	Yellow	-	Green	Orange
				0	-	-	-	-

Part Number:

- XXX XXX XX X X X
 ① Series No.
 ② Transformer Type.
 ③ Shield Type.
 ④ R-Standard operation temp. (0°C to +70°C)
 H=Industrial operation temp. (-40°C to +85°C)
 ⑤ LED Code:See left table.
 ⑥ RJ45 Plating

QC Inspection Item	DIMENSION IN mm [Inch]			
	TOLERANCE UNLESS OTHERWISE SPECIFIED			
	.X ± 0.38	X.° ± 2.0°	TITLE	2x1 10G Base-T w/ LED
	.XX ± 0.20	.X° ± 1.0°	DRAWING NUMBER	721T02J1RA3
.XXX ± 0.10		DRAW	KONGLEI 2018,10,04	
APPROVE	CHECK	PRJ.		
Corey 2018,10,04	Alen 2018,10,04	SCALE	RATIO	
		SIZE	A3	
		REV	P1	