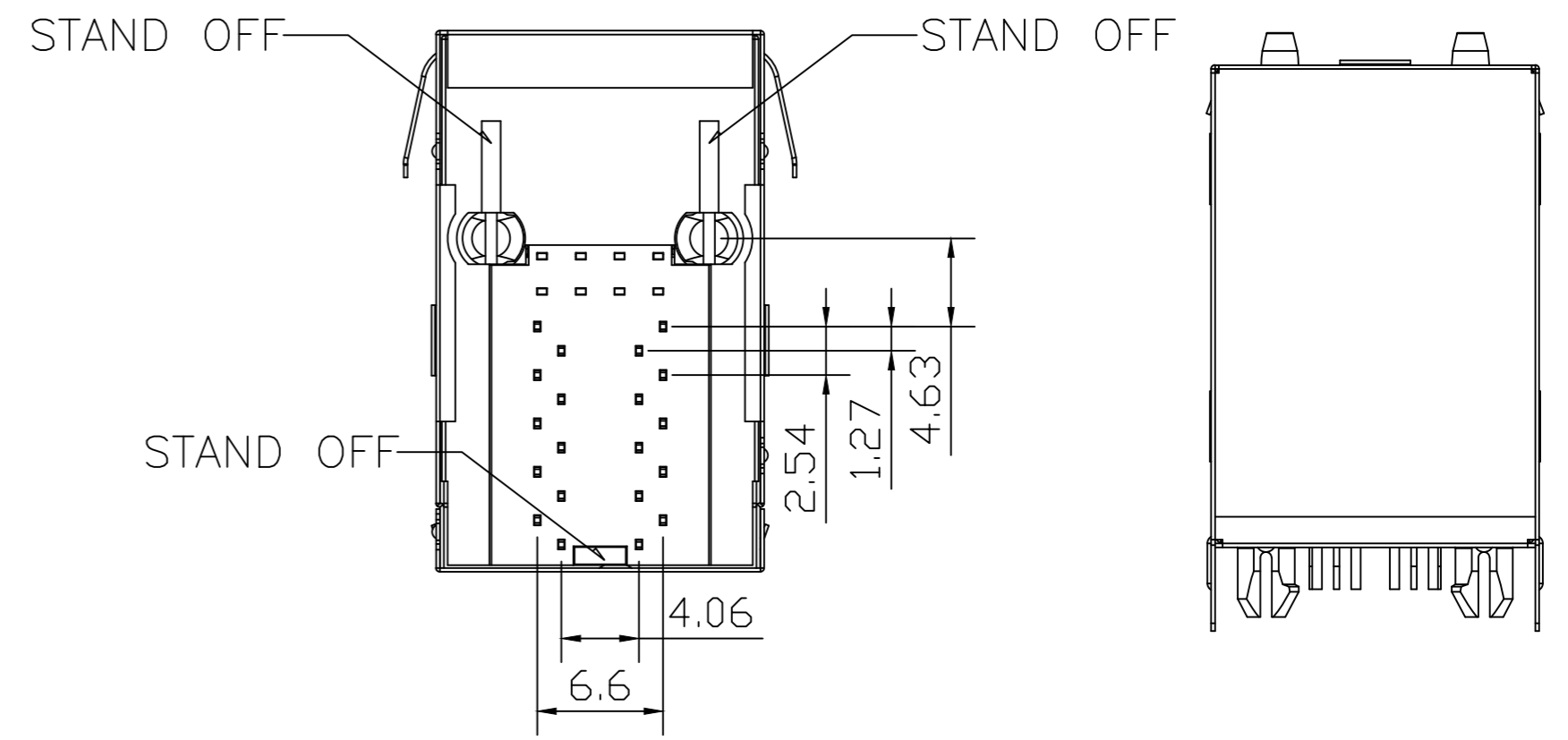
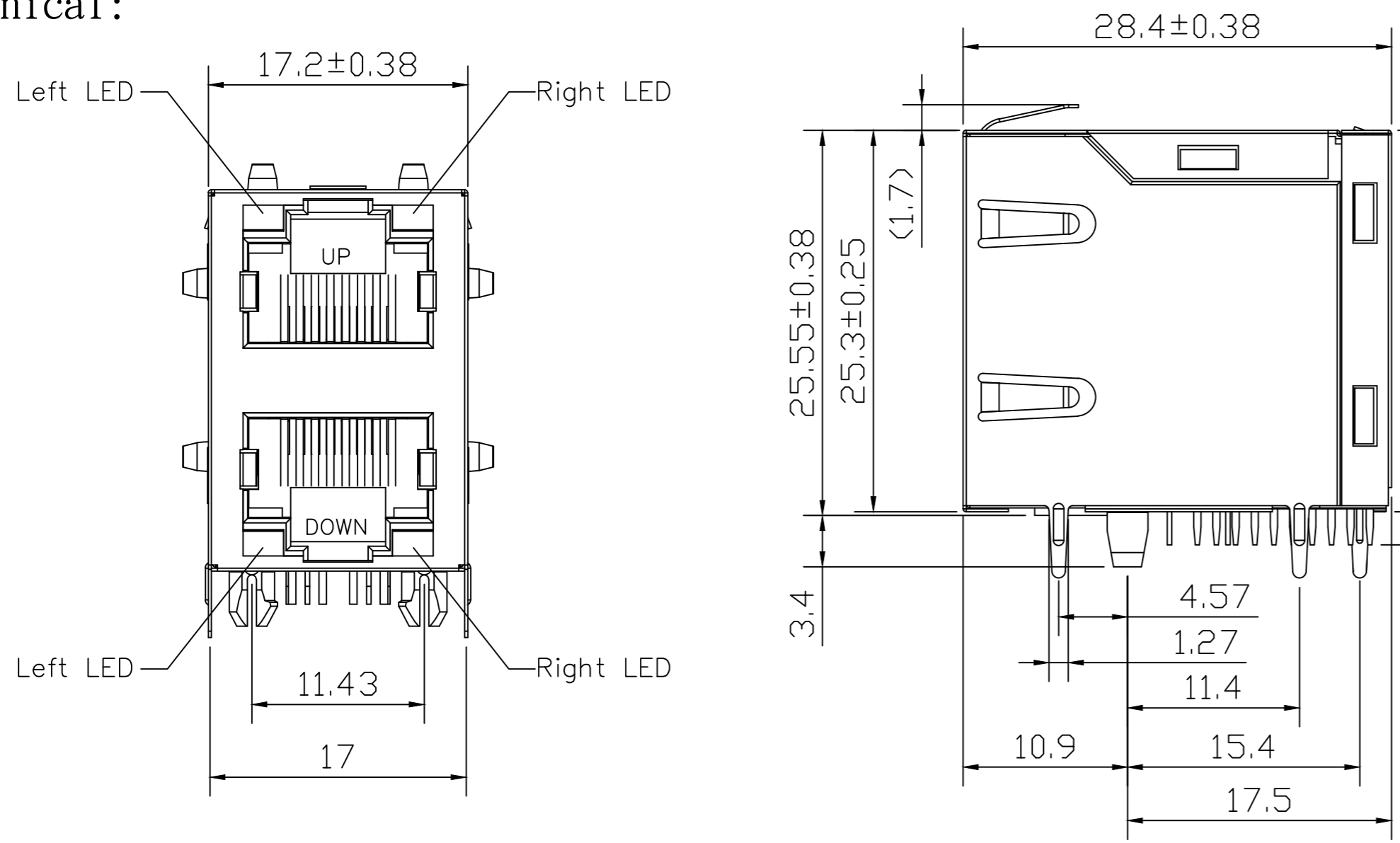


RoHS Compliant

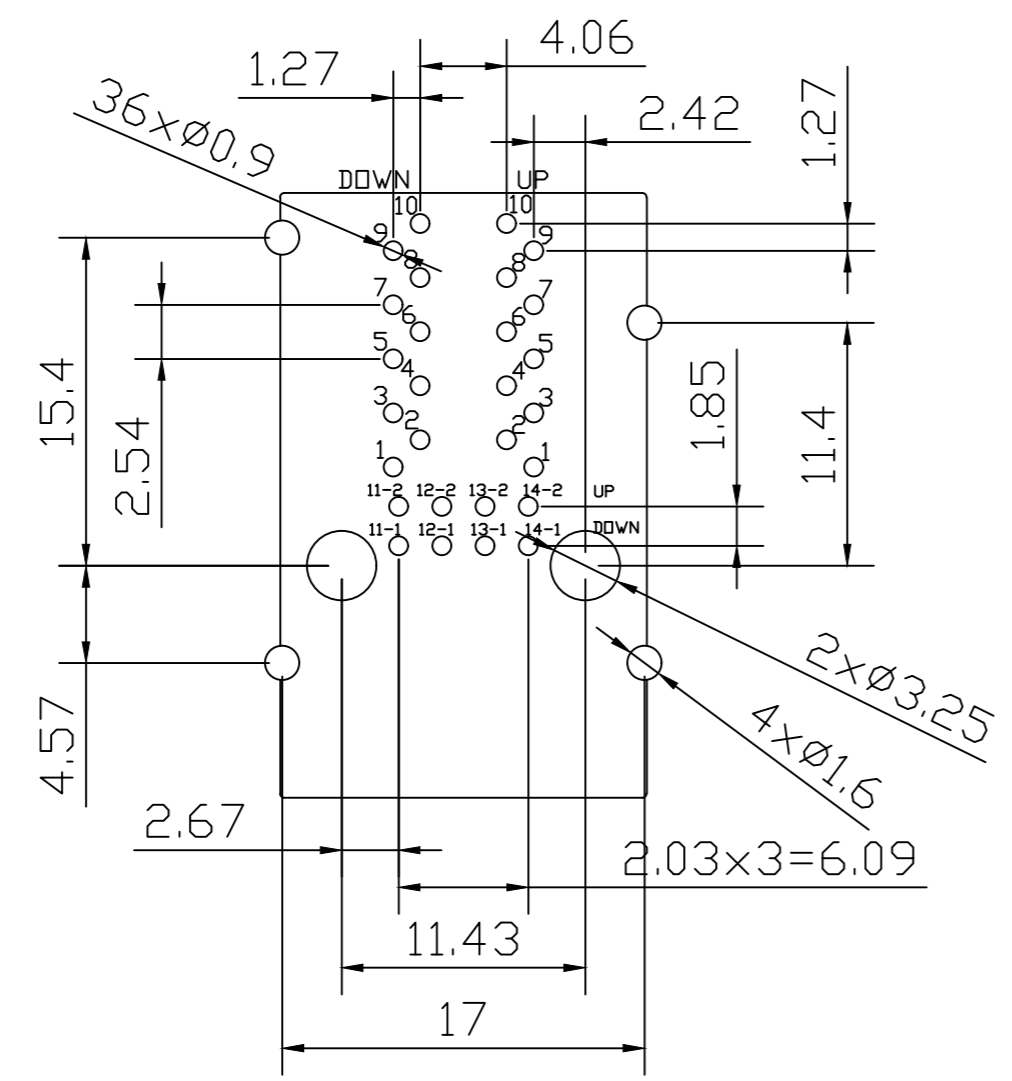
REV	MODIFICATION	DATE	DRAW	APPROVE

Mechanical:



NOTE:

1. Shielded – 0.20mm THICKNESS BRASS C2680 H. PLATING NICKEL 20u”Min.
2. Housing – Standard Material Nylon66, Glass Filled Polyester UL94V-0 Standed Color Black.
3. RJ Terminal – Plastic: Nylon66, UL94V-0, Standard Color Black. Pin: 0.35mm Thickness Phos-Bronze C5210 EH. Plating: Nickel 40u”~60u” for all and Sn 100% , and Gold Plating.
4. Input Terminal – Plastic: Nylon66, Glass Filled, UL94V-0, Standard Color Black. Pin: 0.35mm Thickness Phos-Bronze C2680. Plating: Nickel 40u”~60u” for all and Sn 100%.



RECOMMENDED PCB LAYOUT COMPONENT SIDE
ALL DIMENSION TOLERANCE ARE ±0.05 UNLESS OTHERWISE SPECIFIED

QC Inspection Item	DIMENSION IN mm [Inch]		ELLAX CORPORATION							
	TOLERANCE UNLESS OTHERWISE SPECIFIED						TITLE 2x1 5G Base-T			
	.X ± 0.38	X.° ± 2.0°	DRAWING NUMBER 7215G2J1RA3							
	.XX ± 0.20	.X° ± 1.0°								
.XXX ± 0.10		APPROVE Corey 2018,10,04		CHECK Alen 2018,10,04		DRAW KONGLEI 2018,10,04		PRJ.	SHEET X OF Y	
		SCALE 1:1		SIZE A3		REV P1				

RoHS Compliant

REV	MODIFICATION	DATE	DRAW	APPROVE

Schematic:

Type 5G2

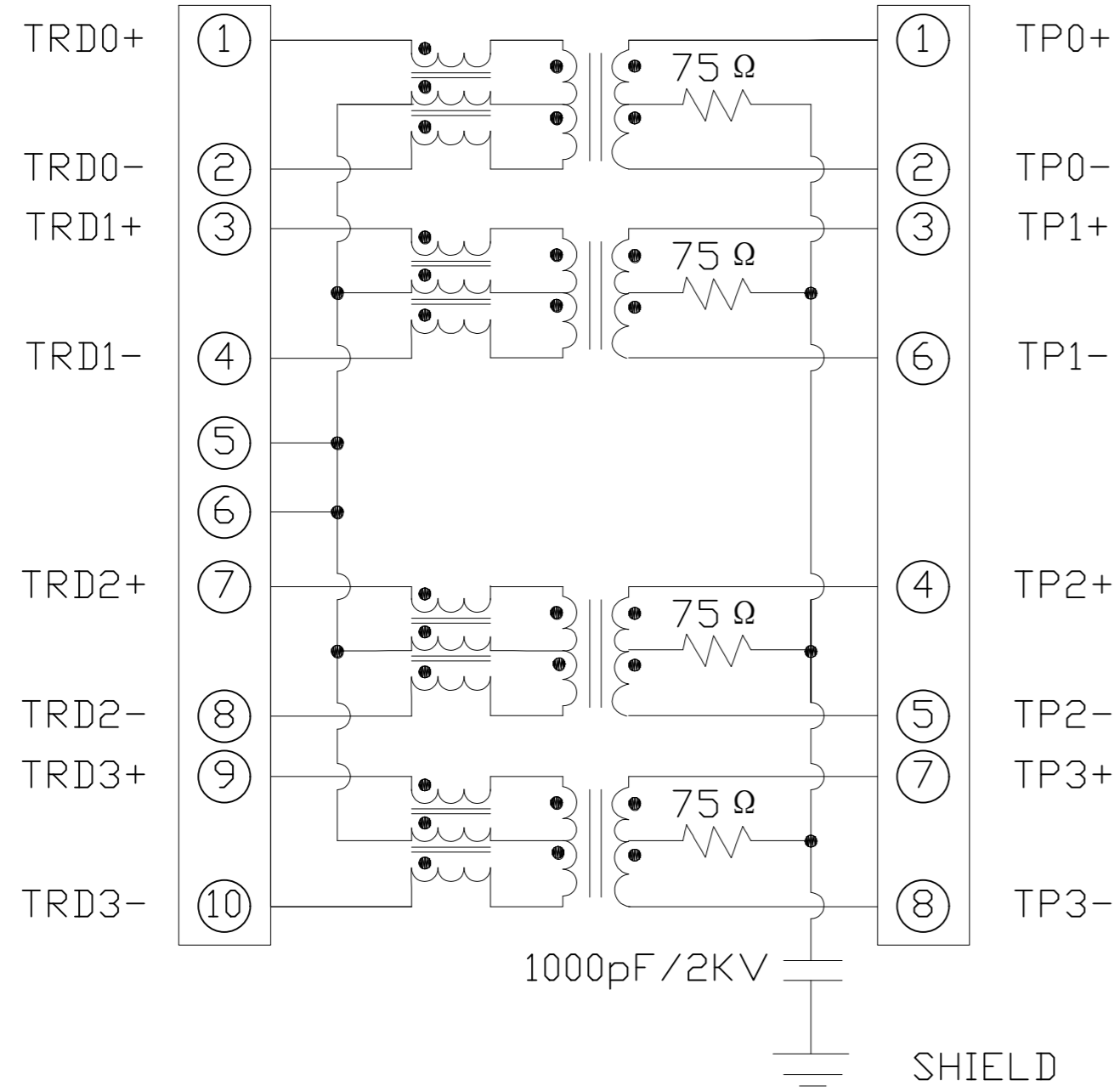
ELECTRICAL CHARACTERISTICS AT +25°C UNLESS OTHER SPECIFIED
MEETS IEEE 802.3 SPECIFICATION

PARAMETER	SPECIFICATIONS		
OPERATING TEMPERATURE	0°C TO +70°C		
URNS RATIO	1.00 ± 2%		
POLARITY	PER SCHEMATIC		
INSERTION LOSS (SDD21&SDD12)	1-50MHz	50-125MHz	125-250MHz
	-0.5 dB MAX	-1.0 dB MAX	-1.5 dB MAX
PHY-SIDE RETURN LOSS (SDD11-Zref=100 OHMS ± 1%)	1-40MHz	40-250MHz	
	-20 dB MIN	-20+15*LOG10(f/40) dB MIN	
LINE-SIDE RETURN LOSS (SDD22-Zref=100 OHMS ± 1%)	1-40MHz	40-250MHz	
	-20 dB MIN	-20+15*LOG10(f/40) dB MIN	
INDUCTANCE (OCL)	120 uH MIN @ 100KHz, 100mV		
CROSSTALK, ADJACENT CHANNELS (SDD21-ADJ.)	1-125MHz	125-250MHz	
	-30 dB MIN	-20 dB MIN	
COMMON MODE REJECTION RATIO (SCC21)	30-250MHz		
	-30 dB MIN		
COMM. TO DIFF REJECTION RATIO (SDC12)	10-250MHz		
	-45+f/35 dB MIN		
INPUT-OUTPUT ISOLATION	2250 VDC FOR 60 SECONDS		

NOTE: f IS FREQUENCY IN MHz.

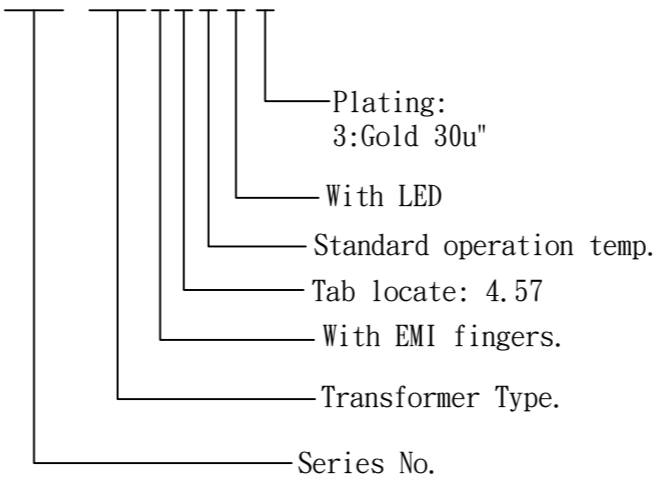
PCB SIDE

CABLE SIDE



Part Number:

7215G2J1RA3



Part Number:

XXX XXX XX X X X
① ② ③ ④ ⑤ ⑥

- ① Series No.
- ② Transformer Type.
- ③ Shield Type.
- ④ R=Standard operation temp. (0°C to +70°C)
H=Industrial operation temp. (-40°C to +85°C)
- ⑤ LED Code: See left table.
- ⑥ RJ45 Plating

Code	RJ45 Plating			LED Code				
	Contact area	Solder tail	Under plating	Left LED		Right LED		
F	3u" gold	100u" Tin Min.	40u" Nickel Min.	A	Green	-	Yellow	-
1	6u" gold			B	Yellow	-	Green	-
2	15u" gold			C	Green	-	Green	-
3	30u" gold			D	-	Green	-	Yellow
4	50u" gold			E	-	Yellow	-	Green
				F	Yellow	-	Orange	Green
				G	Orange	Green	Yellow	-
				L	Yellow	-	Green	Orange
				0	-	-	-	-

Inspection Item	DIMENSION IN mm [Inch]			
	TOLERANCE UNLESS OTHERWISE SPECIFIED			
	.X ± 0.38	X.° ± 2.0°	TITLE	2x1 5G Base-T
	.XX ± 0.20	.X° ± 1.0°	DRAWING NUMBER	7215G2J1RA3
.XXX ± 0.10		DRAW	KONGLEI 2018,10,04	
APPROVE	CHECK	PRJ.		
Corey 2018,10,04	Alen 2018,10,04	SCALE	1:1	
		SIZE	A3	
		SHEET	X OF Y	
		REV	P1	