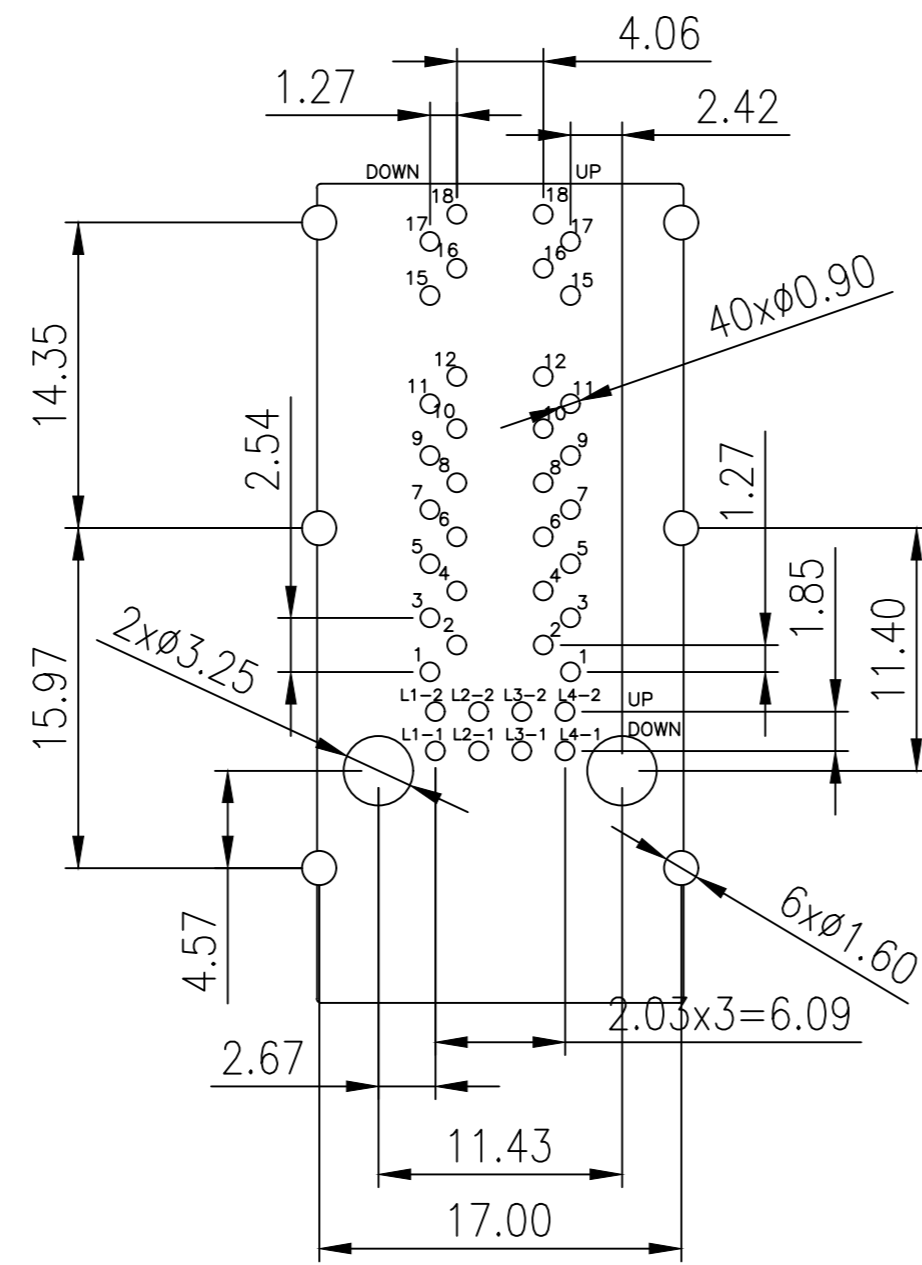
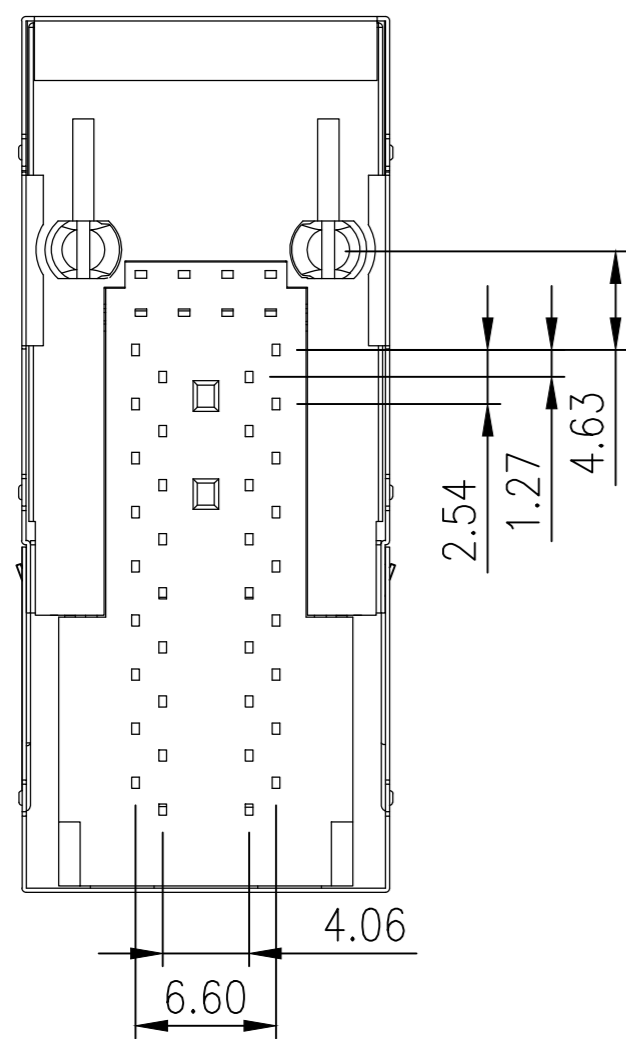
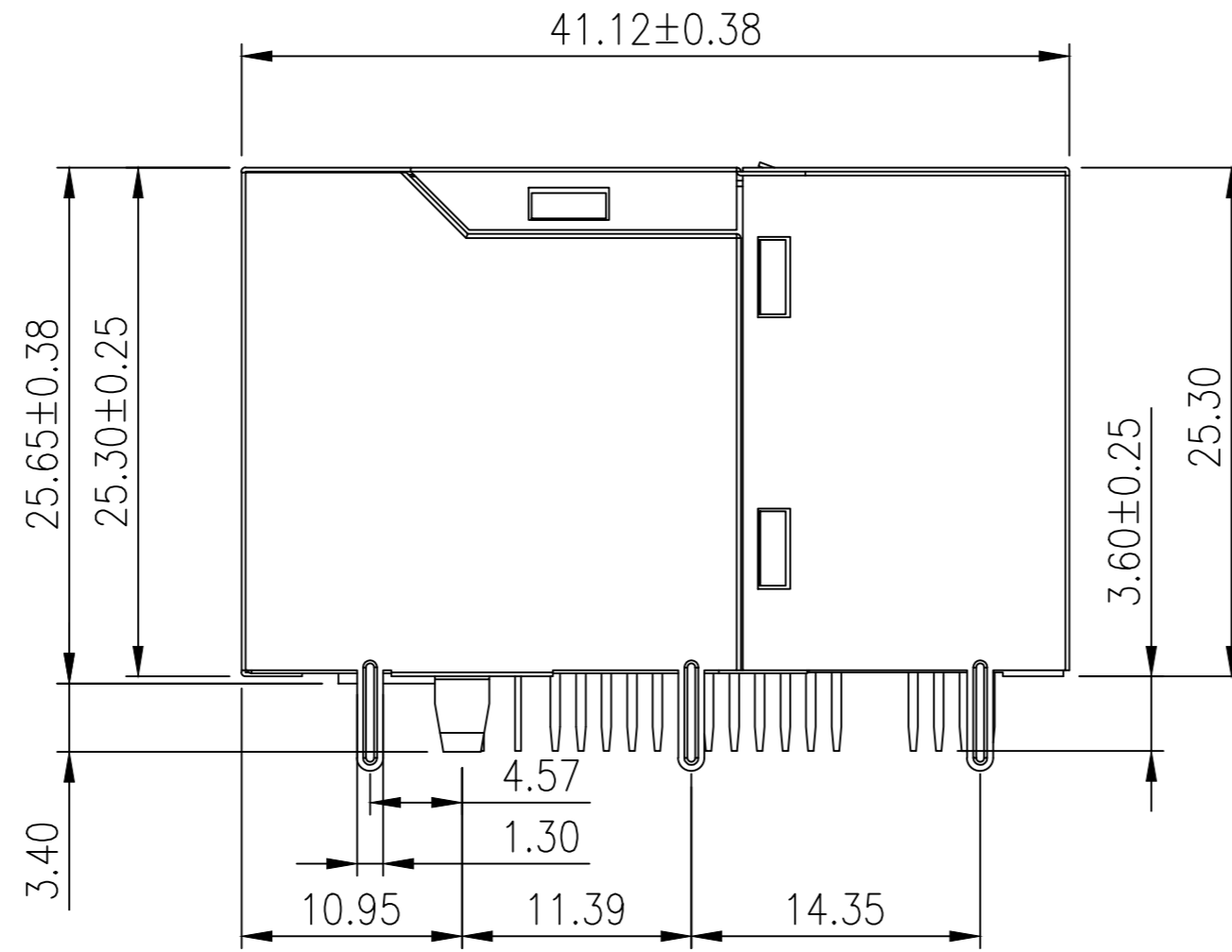
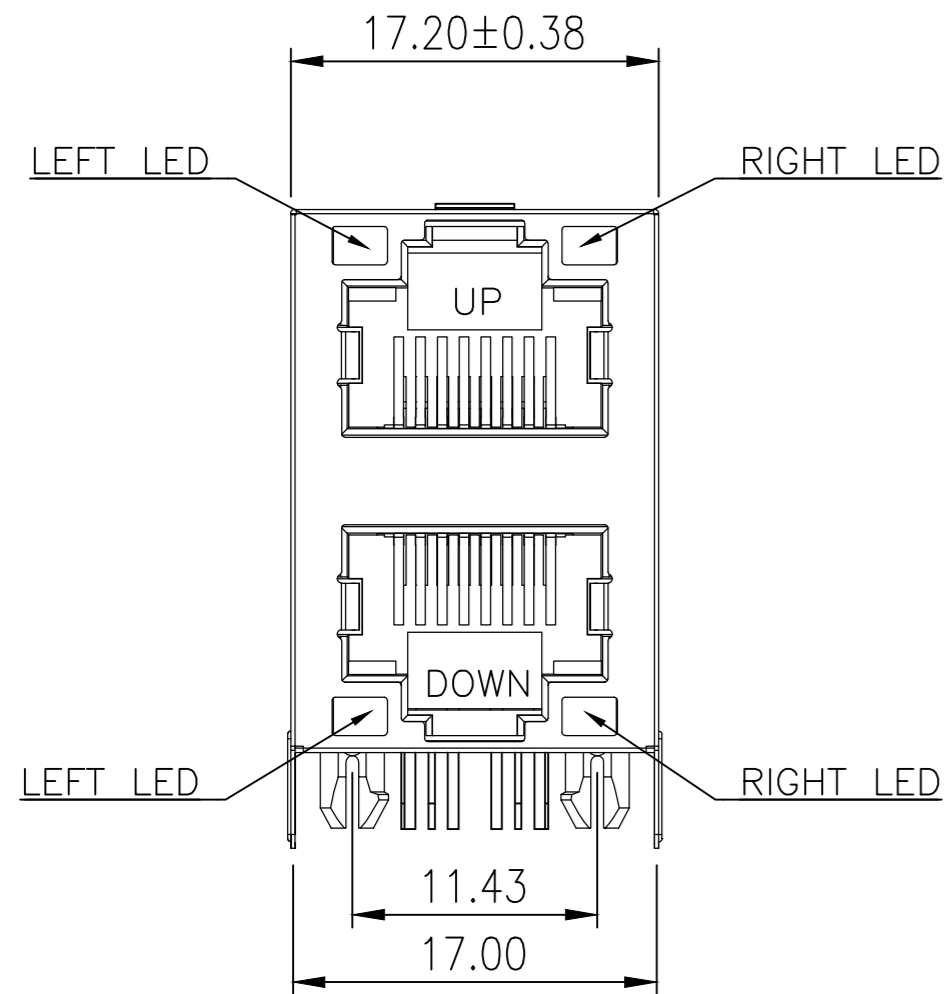


RoHS Compliant

Mechanical:



PCB Layout

NOTE:

1. Shielded - 0.20mm THICKNESS BRASS C2680 H. PLATING NICKEL 20u"Min.
2. Housing- Standard Material Nylon66, Glass Filled Polyester UL94V-0 Standard Color Black.
3. RJ Terminal- Plastic: Nylon66, UL94V-0, Standard Color Black. Pin: 0.35mm Thickness Phos-Bronze C5210 EH. Plating: Nickel 40u"~60u" for all and Sn 100%, and Gold Plating.
4. Input Terminal- Nylon66, Glass Filled, UL94V-0, Standard Color Black. Pin: 0.35mm Thickness Phos-Bronze C2680. Plating: Nickel 40u"~60u" for all and Sn 100%.

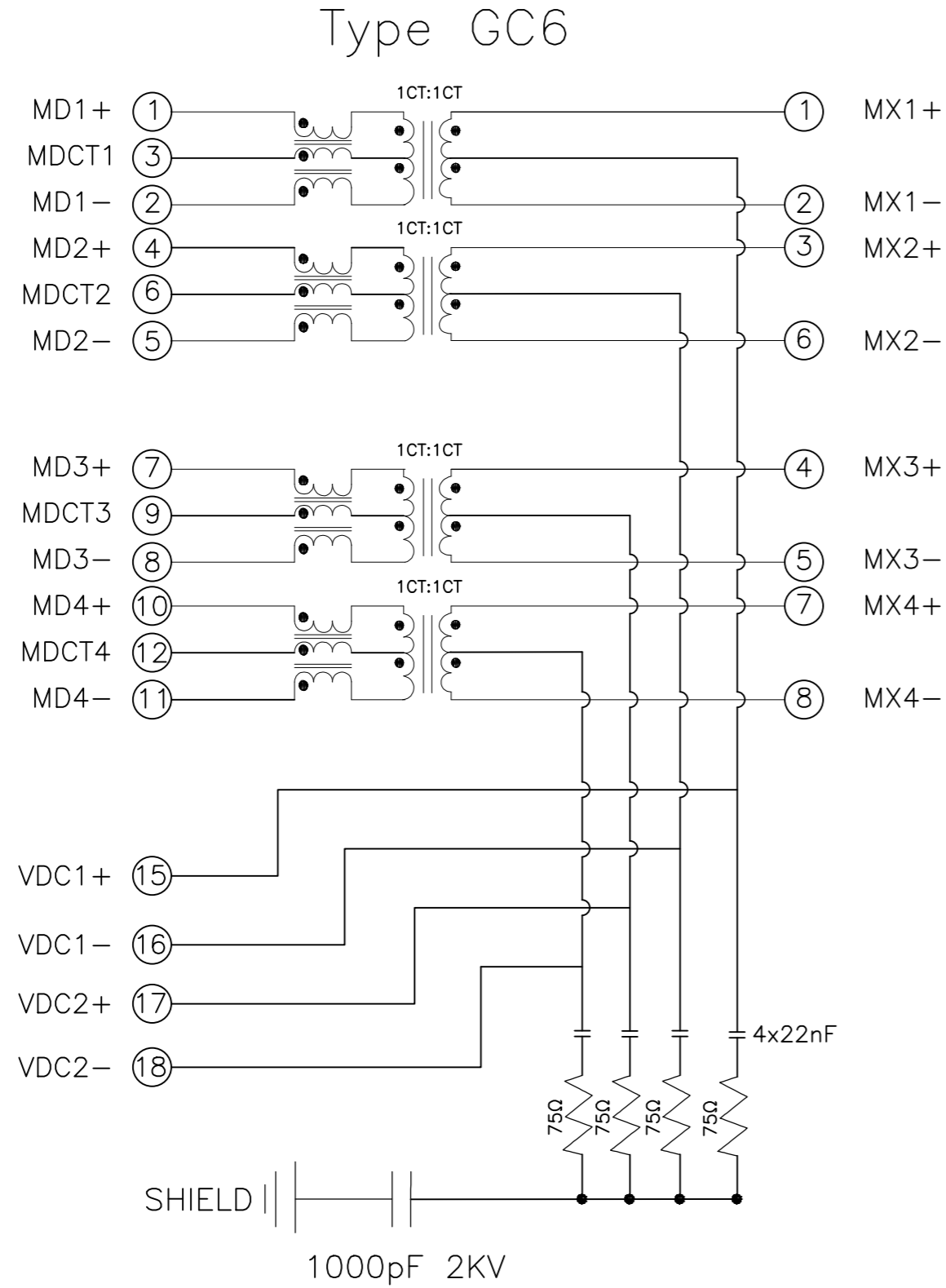
REV	MODIFICATION	DATE	DRAW	APPROVE

QC : Inspection Item	DIMENSION IN mm [Inch]		<b>ELLAX CORPORATION</b>		
	TOLERANCE UNLESS OTHERWISE SPECIFIED				
	.X± 0.38	X.°± 2.0°	DRAWING NUMBER 751GC611RA3		
	.XX± 0.20	.X°± 1.0°	DRAW KONGLEI 2019,08,15		
	.XXX± 0.10		PROJ.  SHEET X OF Y SCALE RATIO SIZE A3 REV A		
APPROVE WP 2019,08,15	CHECK Corey 2019,08,15	DRAW KONGLEI 2019,08,15			PROJ.  SHEET X OF Y SCALE RATIO SIZE A3 REV A

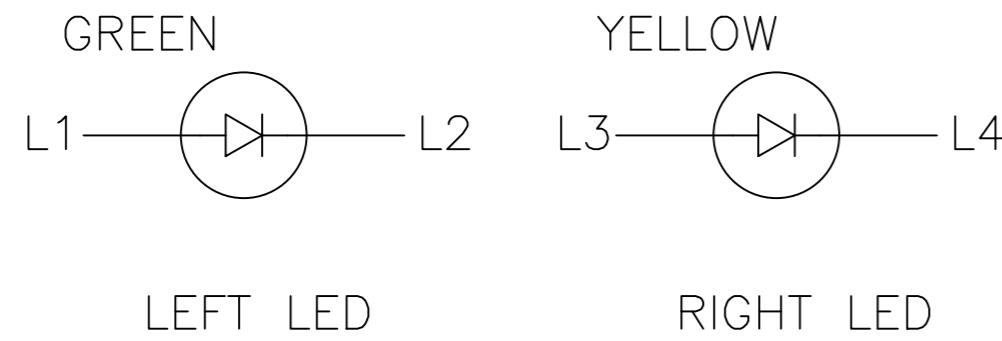
RoHS Compliant

Schematic:

PCB SIDE



CABLE SIDE



Code	RJ45 Plating			LED Code				
	Contact area	Solder tail	Under plating	Left LED		Right LED		
F	3u" gold	100u" Tin Min.	40u" Nickel Min.	A	Green	-	Yellow	-
1	6u" gold			B	Yellow	-	Green	-
2	15u" gold			C	Green	-	Green	-
3	30u" gold			D	-	Green	-	Yellow
4	50u" gold	E	-	Yellow	-	Green		
				F	Yellow	-	Orange	Green
				K	Green	-	Green	Yellow
				0	-	-	-	-

Part Number:  
 XXX XXX XX X X X  
 ① Series No.  
 ② Transformer Type.  
 ③ Shield Type.  
 ④ R=Standard operation temp.(0°C to +70°C)  
 H=Industrial operation temp.(-40°C to +85°C)  
 ⑤ LED Code:See left table.  
 ⑥ RJ45 Plating

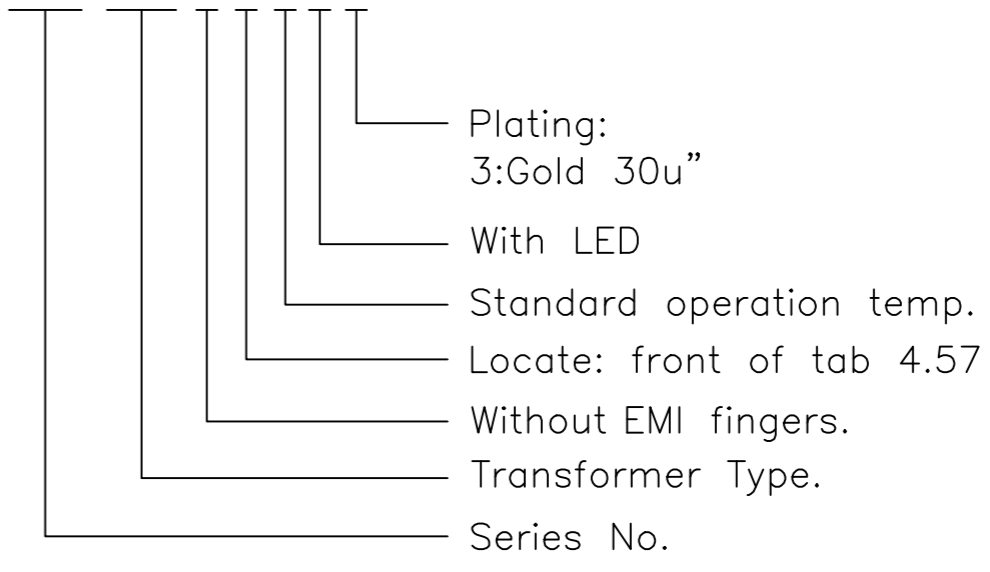
REV	MODIFICATION	DATE	DRAW	APPROVE

Electrical Specifications @25°C								
Turns Ratio (±2%)		OCL (uH Min.) @100 KHz/0.1V with 8mA DC Bias	Cross talk (dB Min.)				Hi-POT 1.0 mA (V)	
TX	RX		0.5-10 MHz	30 MHz	50 MHz	100 MHz	WITHOUT CAPACITANCE	WITH CAPACITANCE
1CT:1CT	1CT:1CT	350	-50	-40	-35	-30	1500 AC	2250 DC

Continue							
Insertion Loss (dB Max.)		Return Loss (dB Min.) @ Load 100 OHM					CMR (dB Min.)
1-100 MHz	100-125 MHz (10/100/1000)	1-30 MHz	30-50 MHz	60 MHz	60-80 MHz	80-100 MHz (10/100/1000)	1-100 MHz
-1.0	-1.2	-18	-16	-14	-12	-10	-30

Compliant with IEEE 802.3bt for 10/100/1000Bast-T applications  
 Balanced DC line current: 1000mA MAX @57VDC continuous

Part Number:  
751GC611RA3



Inspection Item	DIMENSION IN mm [Inch]		TOLERANCE UNLESS OTHERWISE SPECIFIED		TITLE	
	.X± 0.38		X.°± 2.0°		RJ45 2X1 10/100/1000 WITH POE	
	.XX± 0.20		.X°± 1.0°		DRAWING NUMBER	
	.XXX± 0.10				751GC611RA3	
APPROVE	WP	CHECK	Corey	DRAW	KONGLEI	PROJ.
	2019,08,15		2019,08,15		2019,08,15	SCALE
SHEET X OF Y			SIZE A3		REV A	