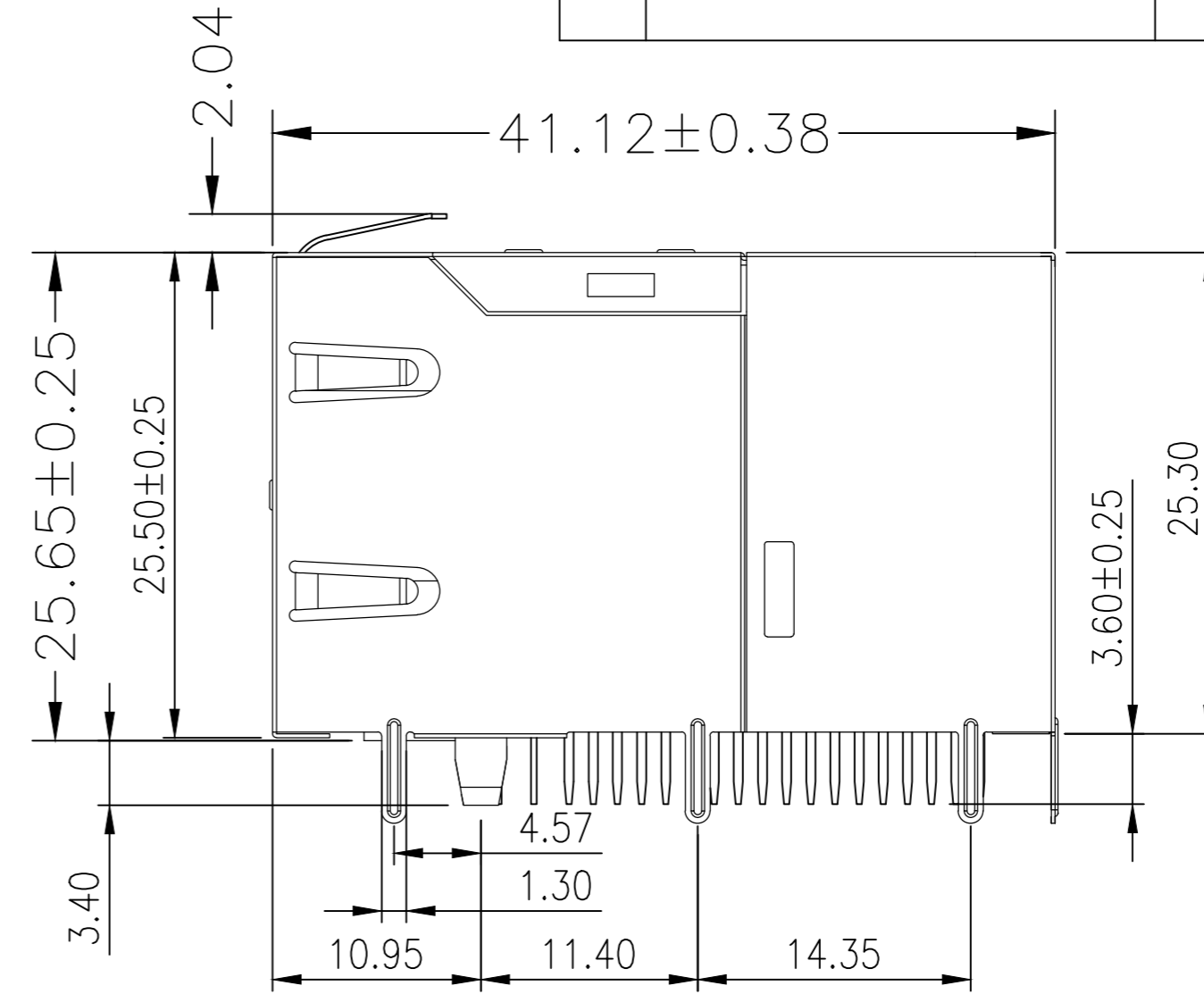
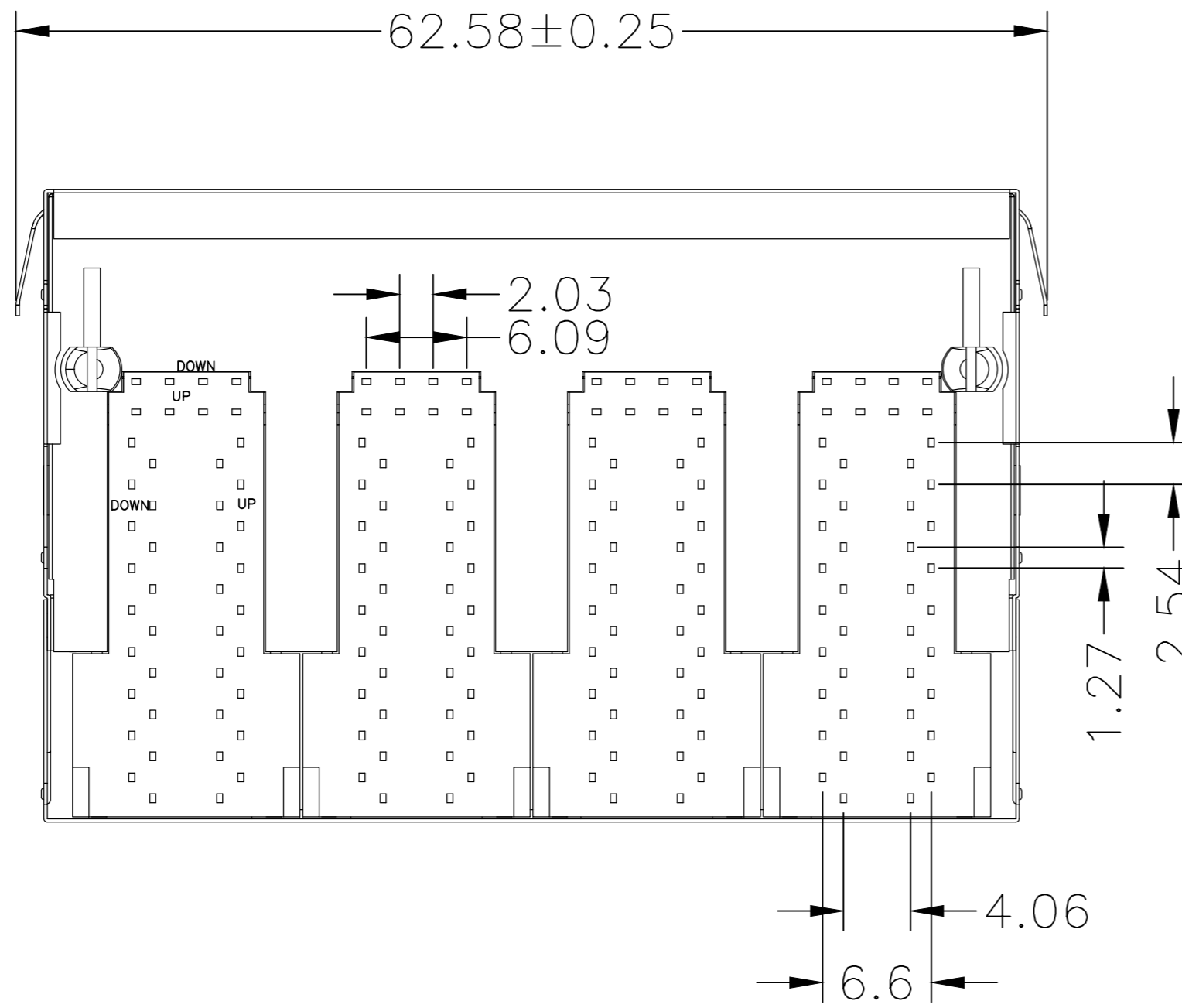
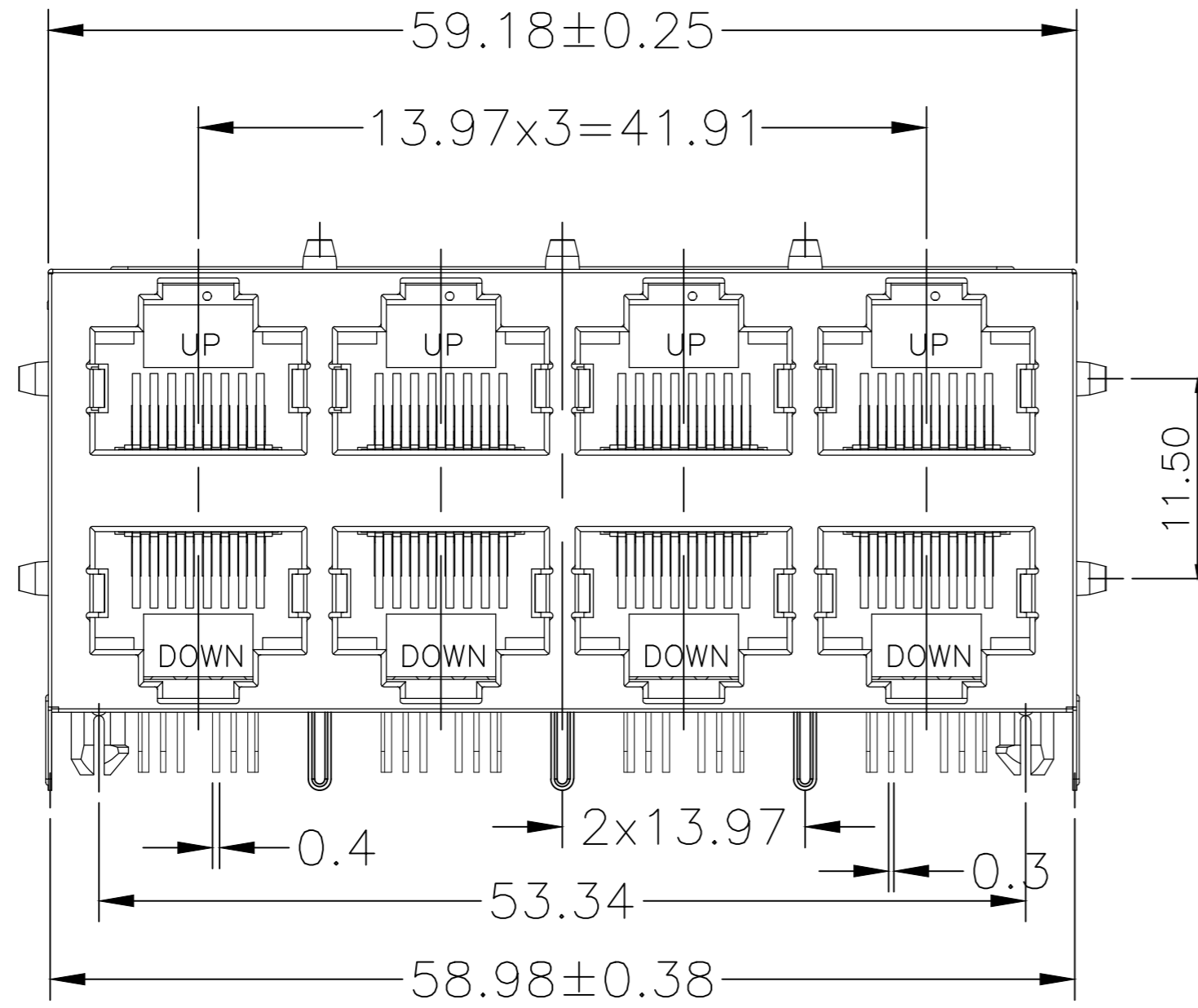


RoHS Compliant

Mechanical:



NOTE:

1. Shielded – 0.20mm THICKNESS BRASS C2680 H. PLATING NICKEL 20u”Min.
2. Housing – Standard Material FR52, Glass Filled Polyester UL94V-0 Standed Color Black.
3. RJ Terminal – Plastic: FR52, UL94V-0, Standard Color Black. Pin: 0.35mm Thickness Phos-Bronze C5210 EH. Plating: Nickel 40u”~60u” for all and Sn 100% ,and Gold Plating.
4. Input Terminal – FR52, Glass Filled, UL94V-0, Standard Color Black. Pin: 0.35mm Thickness Phos-Bronze C2680. Plating: Nickel 40u”~60u” for all and Sn 100%.

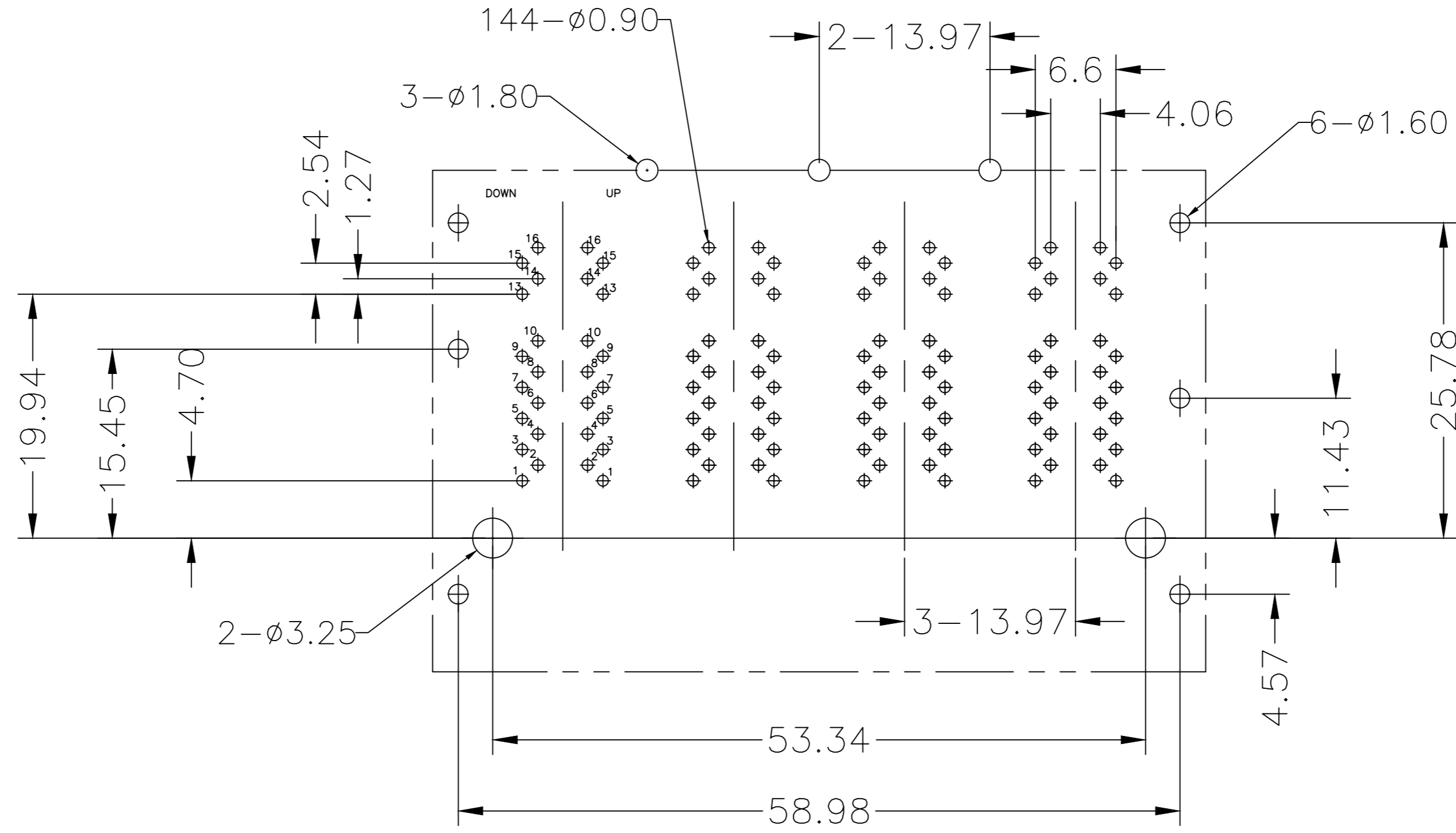
| REV | MODIFICATION | DATE | DRAW | APPROVE |
|-----|--------------|------|------|---------|
|     |              |      |      |         |
|     |              |      |      |         |

| QC : Inspection Item | DIMENSION IN mm [Inch]               |                    | <b>ELLAX CORPORATION</b>             |              |  |
|----------------------|--------------------------------------|--------------------|--------------------------------------|--------------|--|
|                      | TOLERANCE UNLESS OTHERWISE SPECIFIED |                    | TITLE                                |              |  |
|                      | .X ± 0.38   X.° ± 2.0°               |                    | RJ45 2X4 10/100/1000 BASE-T PoE type |              |  |
|                      | .XX ± 0.20   .X° ± 1.0°              |                    | DRAWING NUMBER                       |              |  |
| .XXX ± 0.10          |                                      | 754GDOJ1H01        |                                      |              |  |
| APPROVE              | CHECK                                | DRAW               | PROJ.                                | SHEET X OF Y |  |
| WP<br>2019,11,15     | Konglei<br>2019,11,15                | Alen<br>2019,11,15 | ⊕                                    | X OF Y       |  |
|                      |                                      | SCALE              | SIZE                                 | REV          |  |
|                      |                                      | 1:1                | A3                                   | A            |  |

RoHS Compliant

Mechanical:

| REV | MODIFICATION | DATE | DRAW | APPROVE |
|-----|--------------|------|------|---------|
|     |              |      |      |         |
|     |              |      |      |         |



PCB Layout

| Code | RJ45 Plating |                |                  | LED Code |        |           |        |        |
|------|--------------|----------------|------------------|----------|--------|-----------|--------|--------|
|      | Contact area | Solder tail    | Under plating    | Left LED |        | Right LED |        |        |
| F    | 3u" gold     | 100u" Tin Min. | 40u" Nickel Min. | A        | Green  | -         | Yellow | -      |
| 1    | 6u" gold     |                |                  | B        | Yellow | -         | Green  | -      |
| 2    | 15u" gold    |                |                  | C        | Green  | -         | Green  | -      |
| 3    | 30u" gold    |                |                  | D        | -      | Green     | -      | Yellow |
| 4    | 50u" gold    |                |                  | E        | -      | Yellow    | -      | Green  |
|      |              |                |                  | F        | Yellow | -         | Orange | Green  |
|      |              |                |                  | K        | Green  | -         | Green  | Yellow |
|      |              |                |                  | 0        | -      | -         | -      | -      |

Part Number:

XXX XXX XX X X X  
① ② ③ ④ ⑤ ⑥

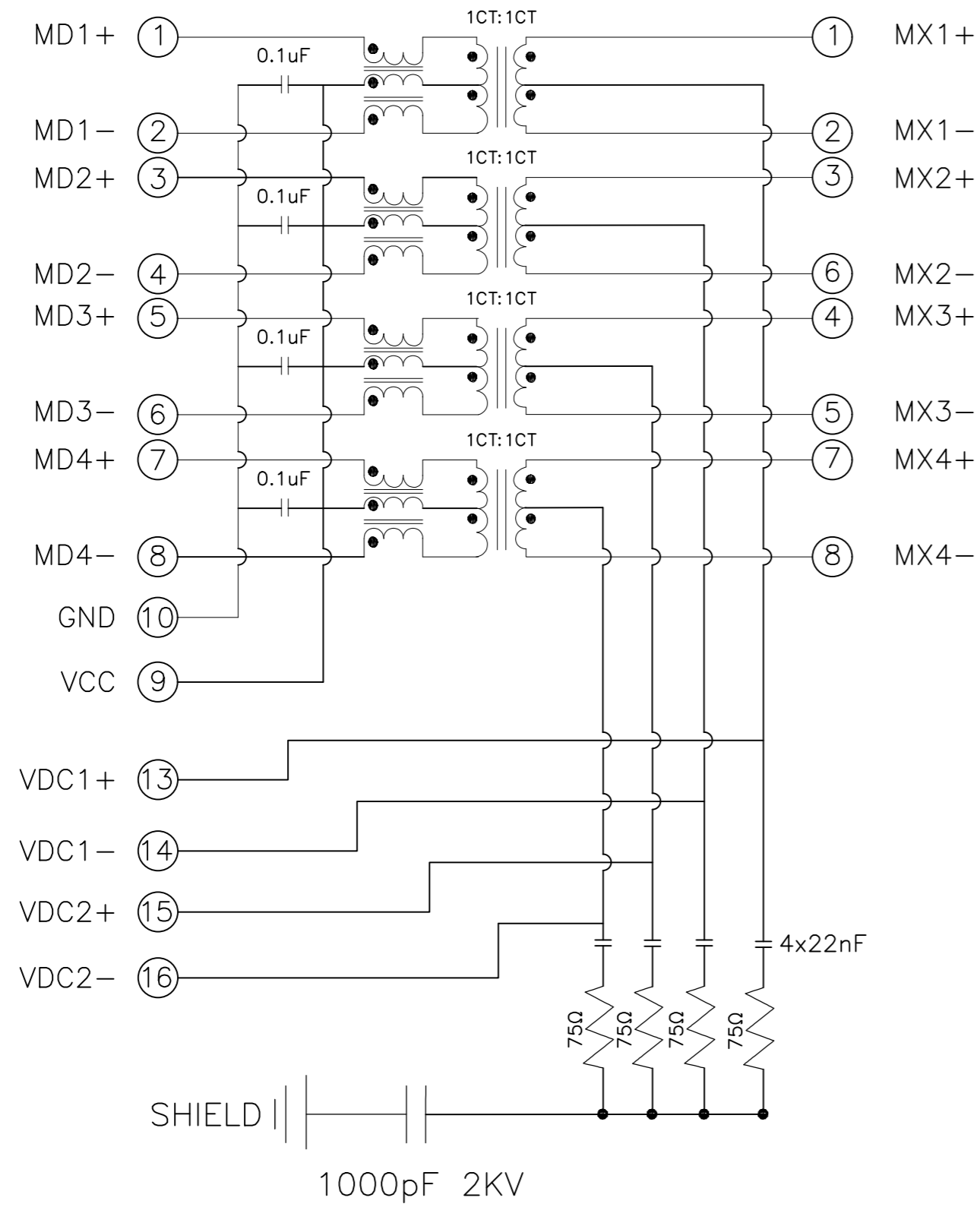
- ① Series No.
- ② Transformer Type.
- ③ Shield Type.
- ④ R-Standard operation temp. (0°C to +70°C)  
H-Industrial operation temp. (-40°C to +85°C)
- ⑤ LED Code: See left table.
- ⑥ RJ45 Plating

| Inspection Item  | DIMENSION IN mm [Inch]               |                    | ELLAX CORPORATION                    |              |
|------------------|--------------------------------------|--------------------|--------------------------------------|--------------|
|                  | TOLERANCE UNLESS OTHERWISE SPECIFIED |                    | TITLE                                |              |
|                  | .X± 0.38 X.°± 2.0°                   |                    | RJ45 2X4 10/100/1000 BASE-T PoE type |              |
|                  | .XX± 0.20 .X°± 1.0°                  |                    | DRAWING NUMBER                       |              |
| .XXX± 0.10       |                                      | 754GDOJ1H01        |                                      |              |
| APPROVE          | CHECK                                | DRAW               | PROJ.                                | SHEET X OF Y |
| WP<br>2019,11,15 | Konglei<br>2019,11,15                | Alen<br>2019,11,15 | ⊕                                    | A3           |
| SCALE 1:1        |                                      | SIZE               | REV                                  | A            |

RoHS Compliant

Mechanical:

Type GDO



| REV | MODIFICATION | DATE | DRAW | APPROVE |
|-----|--------------|------|------|---------|
|     |              |      |      |         |
|     |              |      |      |         |

| PART NO.    | Electrical Specifications @25°C |         |  |                      |        |        |         |                      |                  |
|-------------|---------------------------------|---------|--|----------------------|--------|--------|---------|----------------------|------------------|
| Part Number | Turns Ratio (±2%)               |         | OCL (uH Min.)<br>@100 KHz/0.1V<br>with 8mA DC Bias | Cross talk (dB Min.) |        |        |         | Hi-POT<br>1.0 mA (V) |                  |
|             | TX                              | RX      |  | 0.5-10 MHz           | 30 MHz | 50 MHz | 100 MHz | WITHOUT CAPACITANCE  | WITH CAPACITANCE |
| 754GDO31H01 | 1CT:1CT                         | 1CT:1CT | 350  | -50                  | -40    | -35    | -30     | 1500 AC              | 2250 DC          |

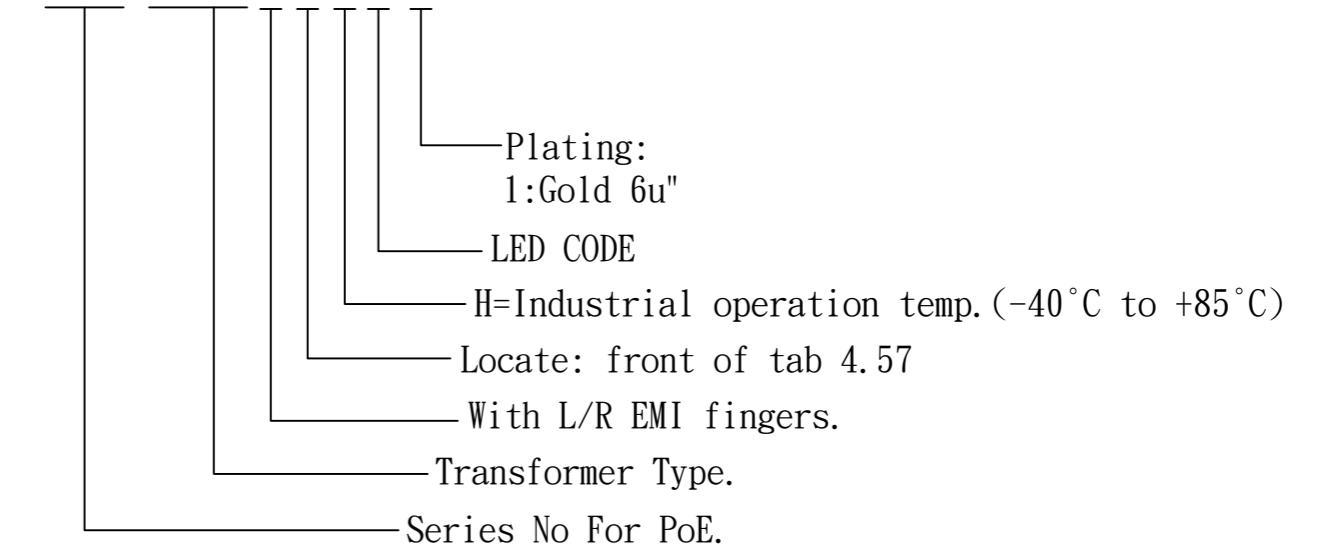
| PART NO.    | Continue                 |                              |                                      |           |        |                            |               |     |
|-------------|--------------------------|------------------------------|--------------------------------------|-----------|--------|----------------------------|---------------|-----|
| Part Number | Insertion Loss (dB Max.) |                              | Return Loss (dB Min.) @ Load 100 OHM |           |        |                            | CMR (dB Min.) |     |
|             | 1-100 MHz                | 100-125 MHz<br>(10/100/1000) | 1-30 MHz                             | 30-50 MHz | 60 MHz | 60-80 MHz<br>(10/100/1000) | 1-100 MHz     |     |
| 754GDO31H01 | -1.0                     | -1.2                         | -18                                  | -16       | -14    | -12                        | -10           | -30 |

Compliant with IEEE 802.3bt for 10/100/1000Base-T applications

Balanced DC line current: 1000mA MAX @57VDC continuous

Part Number:

754GDOJ1H01



|                             |                                      |                       |                               |            |          |
|-----------------------------|--------------------------------------|-----------------------|-------------------------------|------------|----------|
| QC : Inspection Item        | DIMENSION IN mm [Inch]               |                       | <b>ELLAX CORPORATION</b>      |            |          |
|                             | TOLERANCE UNLESS OTHERWISE SPECIFIED |                       |                               |            |          |
|                             | .X± 0.38                             | X.°± 2.0°             | DRAWING NUMBER<br>754GDOJ1H01 |            |          |
|                             | .XX± 0.20                            | .X°± 1.0°             |                               |            |          |
|                             | .XXX± 0.10                           |                       | DRAW<br>Alen<br>2019,11,15    |            |          |
| APPROVE<br>WP<br>2019,11,15 | CHECK<br>Konglei<br>2019,11,15       | PROJ.<br>SHEET X OF Y | SCALE<br>1:1                  | SIZE<br>A3 | REV<br>A |