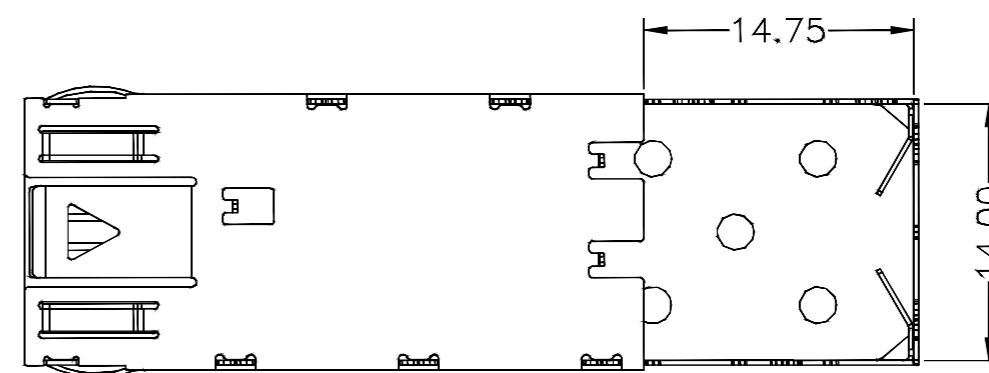
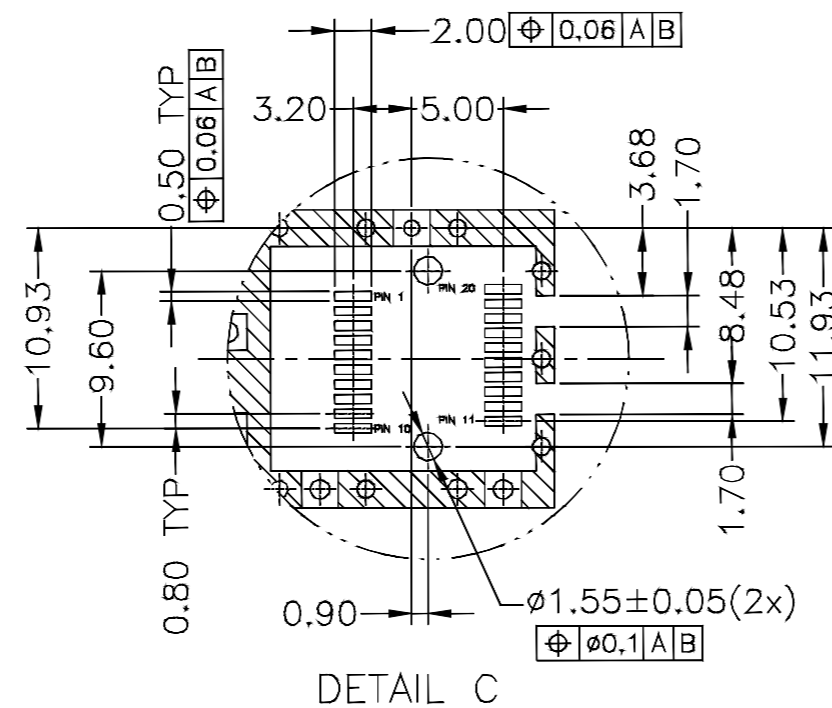
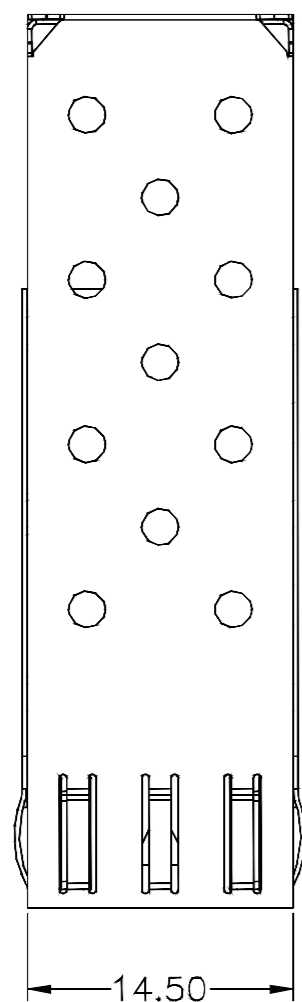
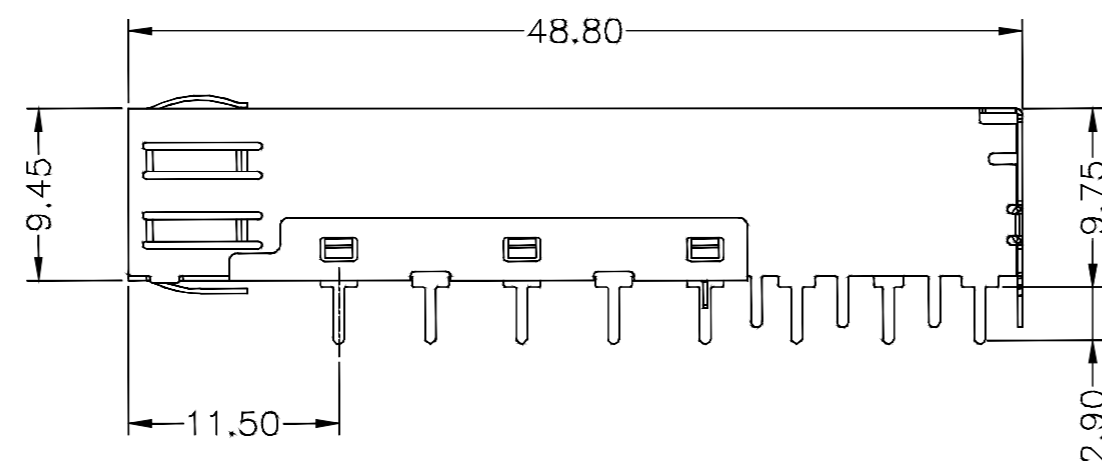
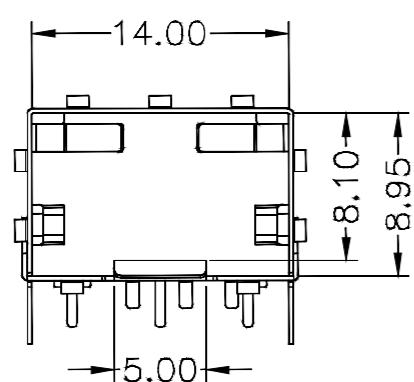


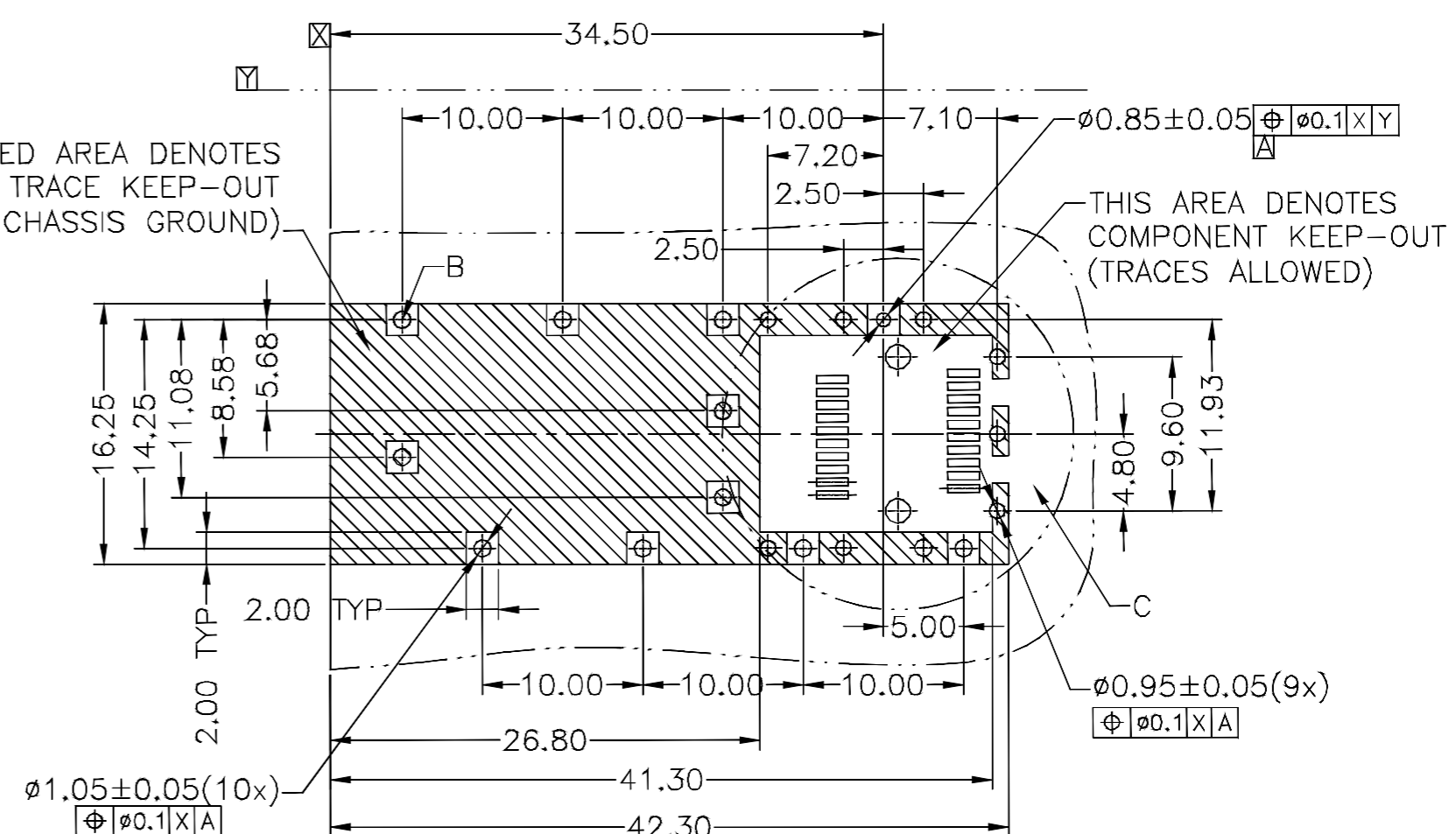
REVISION RECORD 修改紀錄					
REV	ECO	DESCRIPTION	DATE	DRFT	CHKD



BOTTOM VIEW



CROSS-HATCHED AREA DENOTES COMPONENT AND TRACE KEEP-OUT (EXCEPT CHASSIS GROUND)



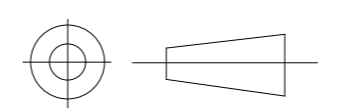
RECOMMENDED PCB LAYOUT—COMPONENT SIDE
PCB THICKNESS 1.6MM MIN
TOLERANCE: ±0.05 MM

NOTES:
MECHANICAL:
CAGES: METAL ALLOY, THICKNESS 0.25MM.
PLATING: NO NEED.
THIS CAGE IS FOR SINGLE SIDE USE ONLY.
TEMPERATURE:
OPERATION: -40°C~+85°C
STORAGE: -40°C~+85°C
RoHS COMPLIANCE.
DIMENSIONS WITH "QC" MARK HAVE TO BE MEASURED IN IPQC INSPECTION.
TLA APPEARANCE QUALITY AND OTHERS ACCORDING TO QAIP-008 IF NOTHING ELSE IS SPECIFIED.

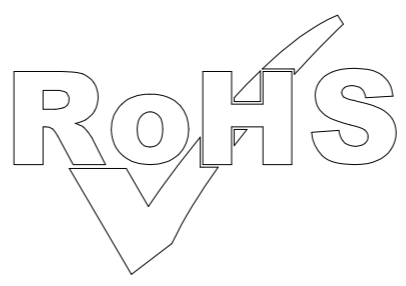
單位: mm	DFTO: ina	DATE: 2015.11.21
長度公差	角度公差	CHKD: Alien
.0±0.25	0°±5°	APPVL: W.B.Huang
.00±0.15		DATE: 2015.11.21
.000±0.10	脫模角:	顏色:
		MATERIAL: 材質
		TREAT: 處理
		QTY: 數量
		SCALE: 比例 1:1

ELLAX CORPORATION

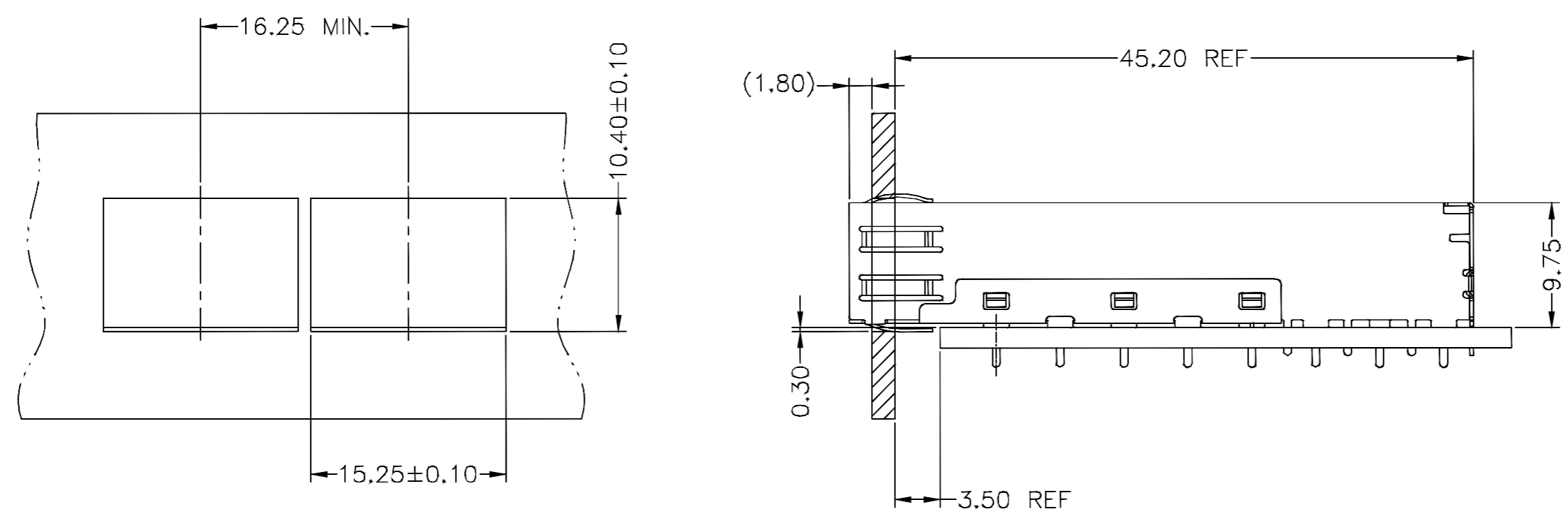
TITLE: 1x1 SFP Cage THT-FIT Type			
DWG NO.	ELSFPO-A0N7-10	SIZE	REV
DRAWING NO: 圖檔編號	ELSFPO-A0N7-10	A4	A
PART NO: 零件編號			1 of 1



THIRD ANGLE PROJECTION



REVISION RECORD 修改紀錄					
REV	ECO	DESCRIPTION	DATE	DRFT	CHKD



RECOMMENDED BEZEL CUT-OUT CENTER DETAIL
BEZEL THICKNESS 0.8~2.6MM

單位: mm		DFTO: Ina	DATE: 2015.11.21
長度公差	角度公差	CHKD: Alien	DATE: 2015.11.21
.0 ± 0.25	0° ± 5°	APPVL: W.B.Huang	DATE: 2015.11.21
.00 ± 0.15		脫模角:	顏色:
.000 ± 0.10			MATERIAL: 材質
		TREAT: 處理	DWG NO. ELSFP0-A0N7-10
		QTY: 數量	DRAWING NO: 圖檔編號 ELSFP0-A0N7-10
		SCALE: 比例 1:1	PART NO: 零件編號
THIRD ANGLE PROJECTION			SIZE REV

ELLAX CORPORATION

TITLE: 1x1 SFP Cage THT-FIT Type			
DWG NO.	ELSP0-A0N7-10	SIZE	REV
DRAWING NO:	ELSP0-A0N7-10	A4	A
PART NO:		1 of 1	