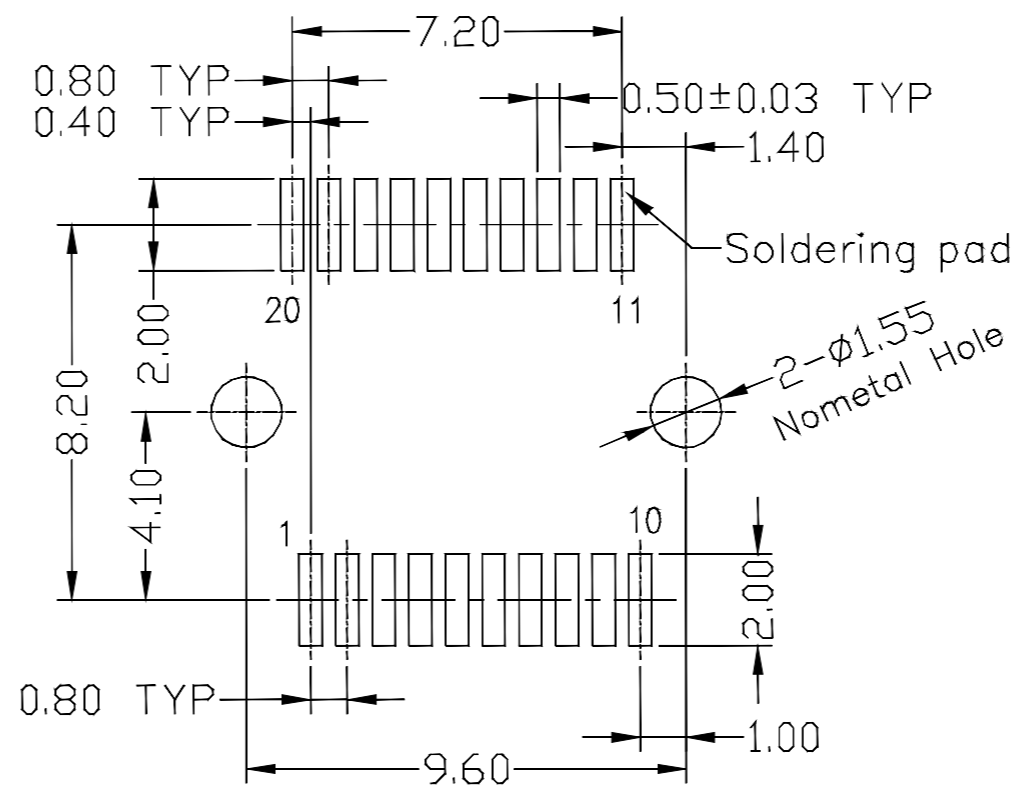
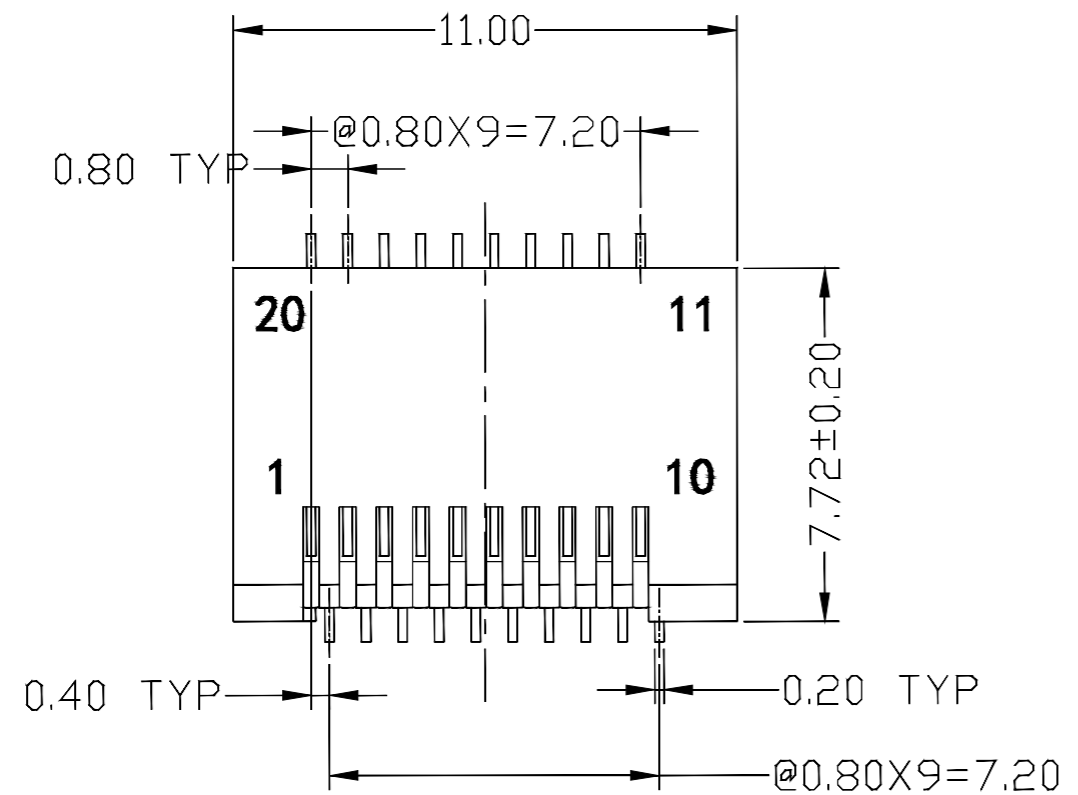
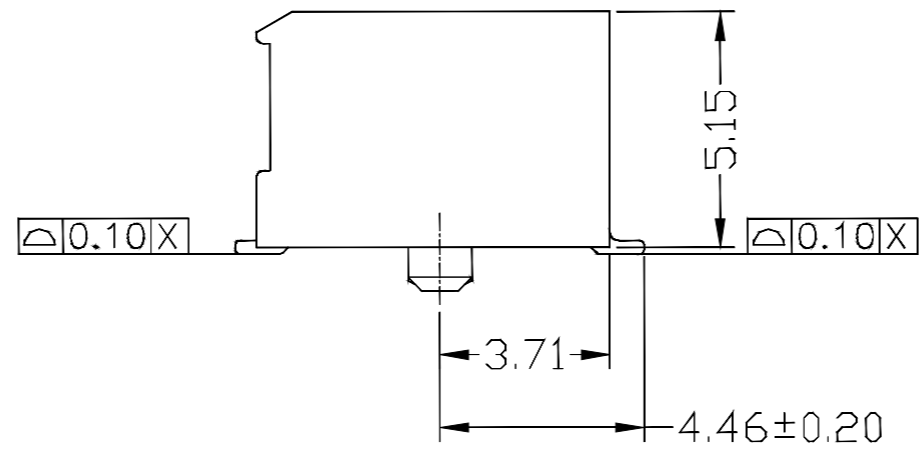
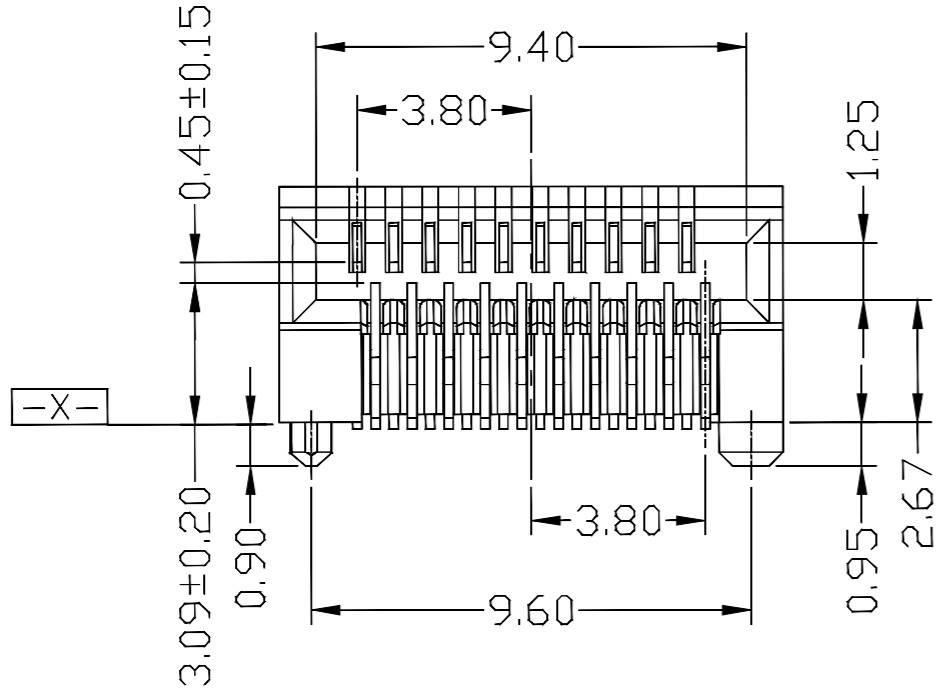


REVISION RECORD 修改紀錄					
REV	ECO	DESCRIPTION	DATE	DRFT	CHKD



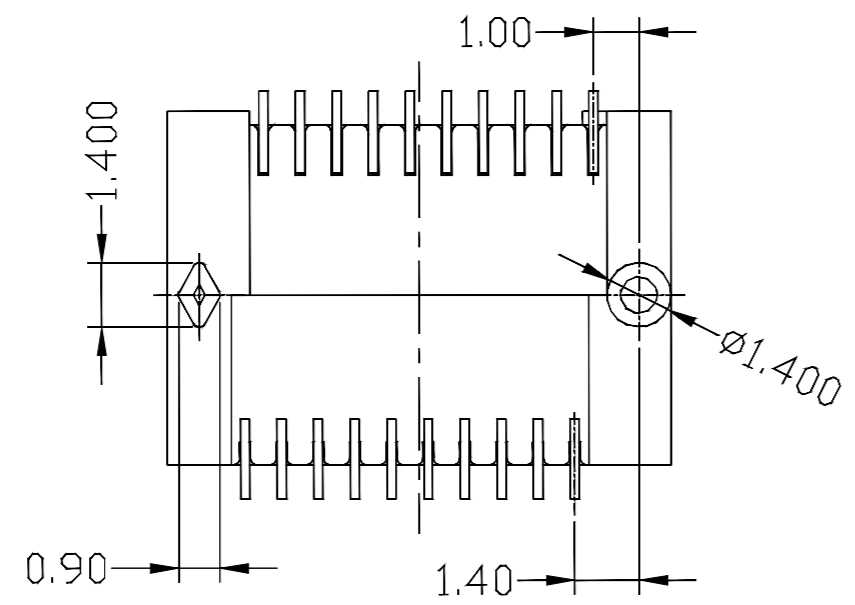
RECOMMENDED PCB LAYOUT(Top View)
Tolerance:±0.05



- NOTES:
- ELECTRICAL:
- CONTACT RESISTANCE:30 MILLIOHMS MAX;
 - DIELECTRIC WITHSTANDING VOLTAGE:300 VDC MIN;
 - INSULATION RESISTANCE:1000 MEGAOHMS MIN AT 100 VDC FOR 1 MINUTE.
- MATERIAL:
- HOUSING: LCP UL94V-0 COLOR BALCK;
 - CONTACT: PHOSPHOR BRONZE T=0.20MM; CONTACT PLATING: GOLD PLATING ON CONTACT AREA, OVER NICKEL UNDERPLATING OVERALL;
 - ROHS COMPLIANCE;
 - DURABILITY: 100 CYCLES MIN.
- ENVIRONMENTAL:
- OPERATION TEMPERATURE RANGE:-40°C TO +85°C.
 - STORAGE TEMPERATURE RANGE:-40°C TO +85°C.

PART NUMBER:

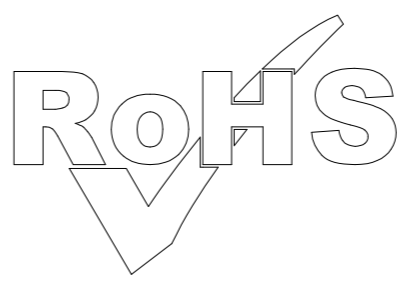
PART NUMBER	GOLD PLATING
ELSFPC-0001-13	15u"



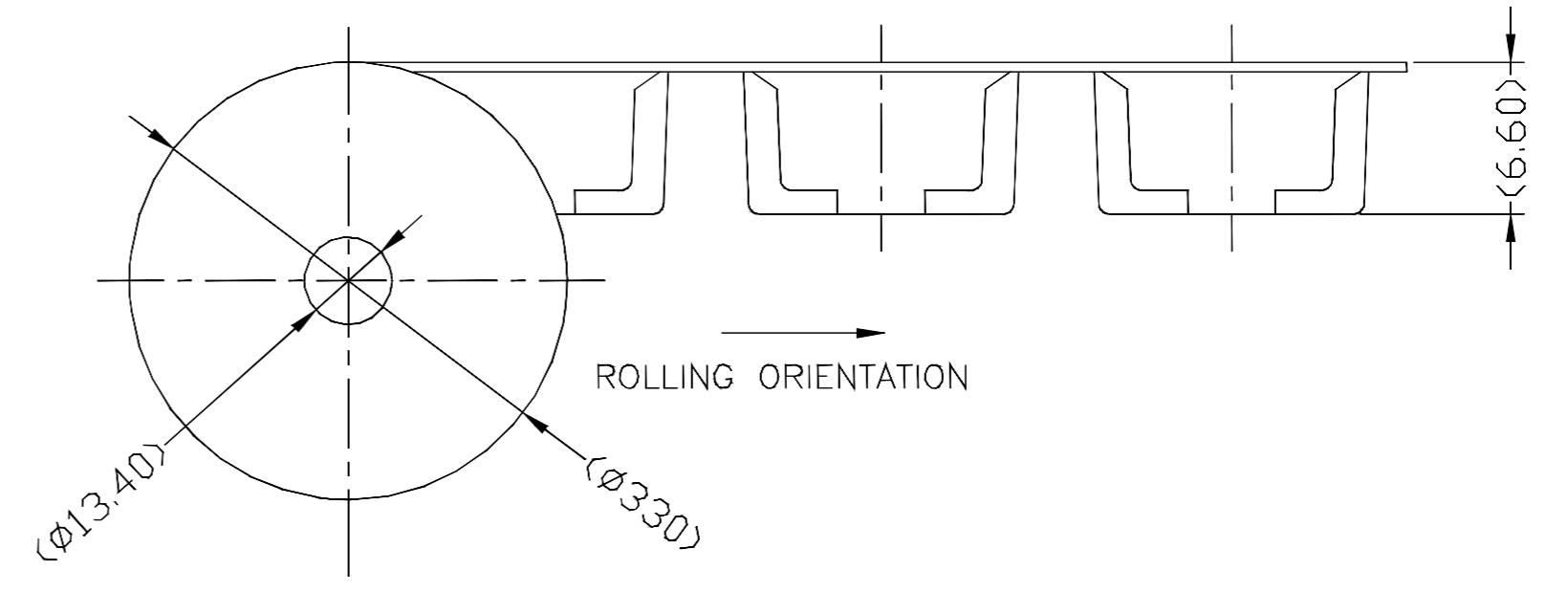
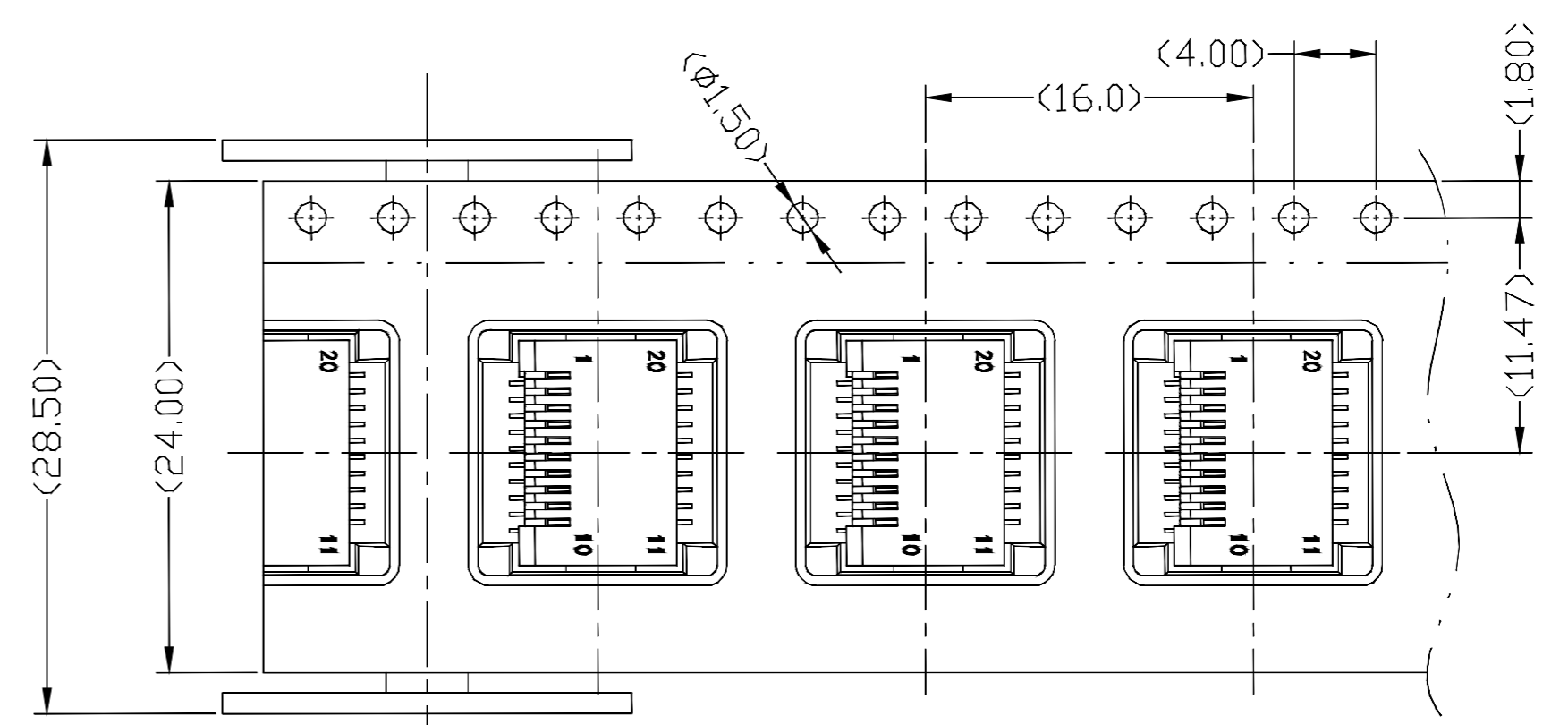
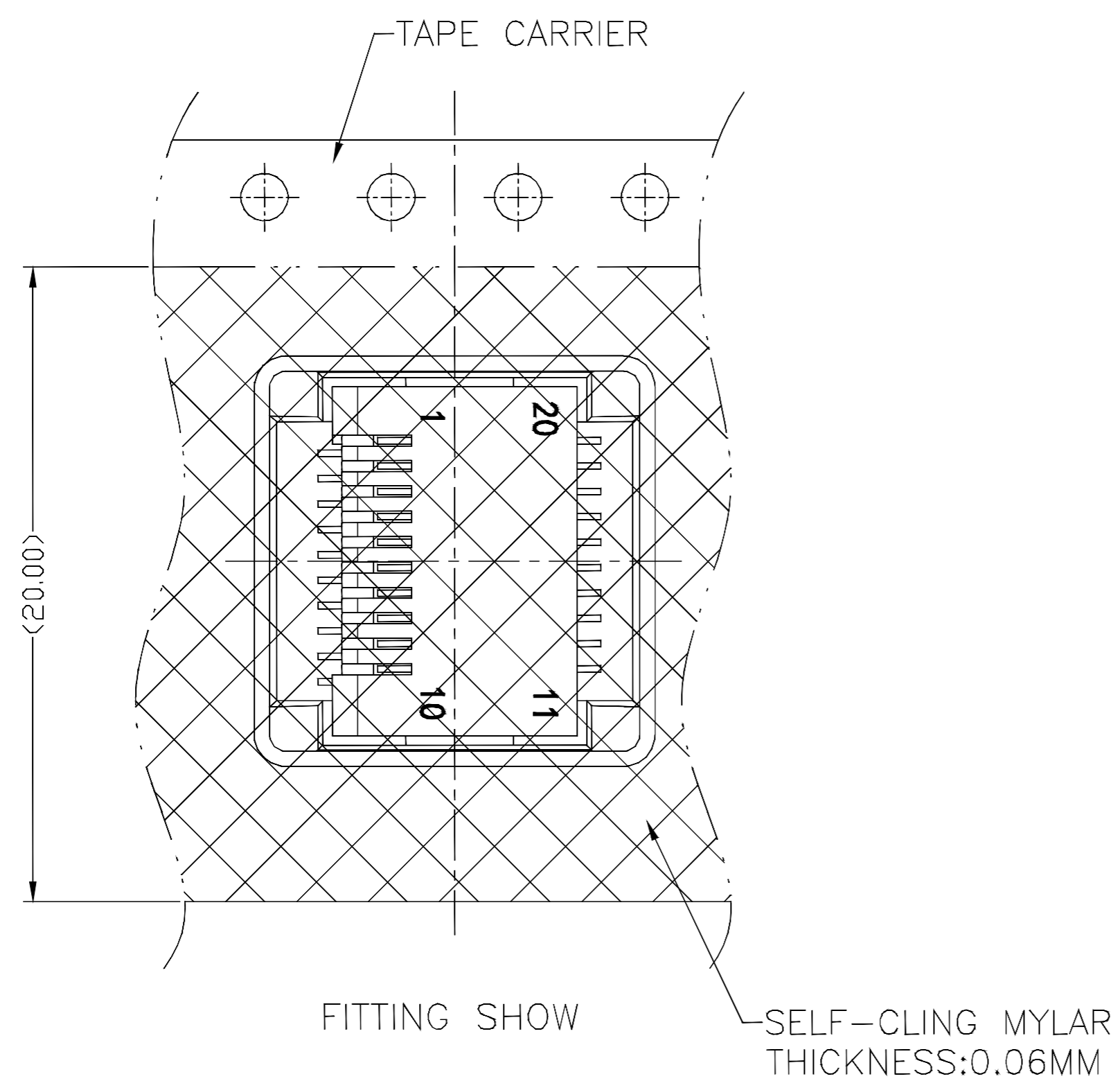
單位: mm		DFTO: ina	DATE: 2015.11.21
長度公差	角度公差	CHKD: Alien	DATE: 2015.11.21
.0±0.25	0°±5°	APPVL: W.B.Huang	DATE: 2015.11.21
.00±0.15		脫模角:	顏色:
.000±0.10			MATERIAL: 材質
 THIRD ANGLE PROJECTION		TREAT: 處理	DWG NO. ELSFPC-0001-13
		QTY: 數量	DRAWING NO: 圖檔編號 ELSFPC-0001-1X
		SCALE: 比例 1:1	PART NO: 零件編號

ELLAX CORPORATION

TITLE: SFP 1x1 Connector			
DWG NO.	ELSFPC-0001-13	SIZE	REV
DRAWING NO:	ELSFPC-0001-1X	A4	A
PART NO:		1 of 1	



REVISION RECORD 修改紀錄					
REV	ECD	DESCRIPTION	DATE	DRFT	CHKD



PACKING REQUIREMENT

PACKING QUANTITY: 500PCS PER REEL.

單位: mm		DFTO: ina	DATE: 2015.11.21
長度公差	角度公差	CHKD: Alien	DATE: 2015.11.21
.0 ± 0.25	0° ± 5°	APPVL: W.B.Huang	DATE: 2015.11.21
.00 ± 0.15		脫模角:	顏色:
.000 ± 0.10			MATERIAL: 材質
		TREAT: 處理	
		QTY: 數量	
		SCALE: 比例	1:1

ELLAX CORPORATION

TITLE:
SFP 1x1 Connector

DWG NO.	ELSFPC-0001-13	SIZE	REV
DRAWING NO: 圖檔編號	ELSFPC-0001-1X	A4	A
PART NO: 零件編號		1 of 1	

THIRD ANGLE PROJECTION