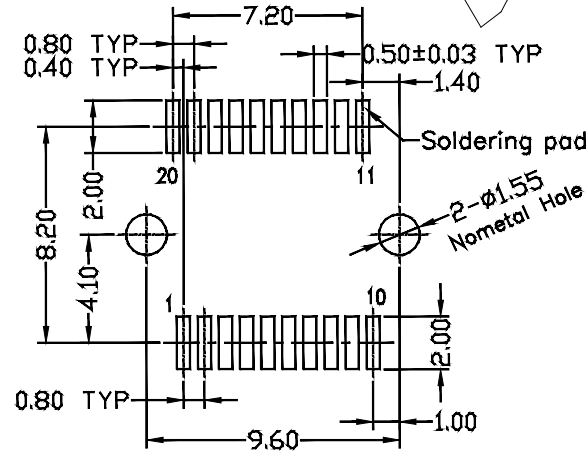
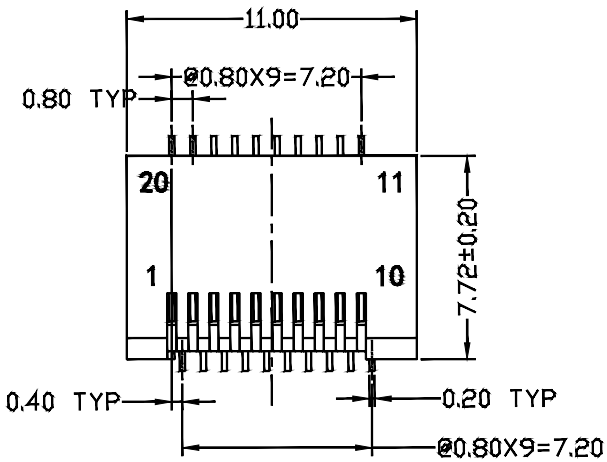


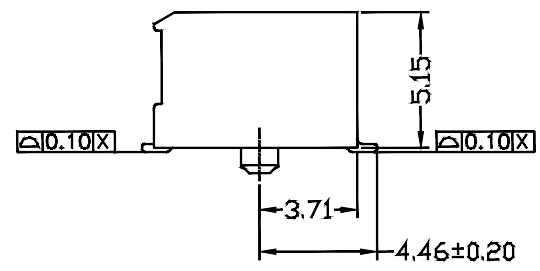
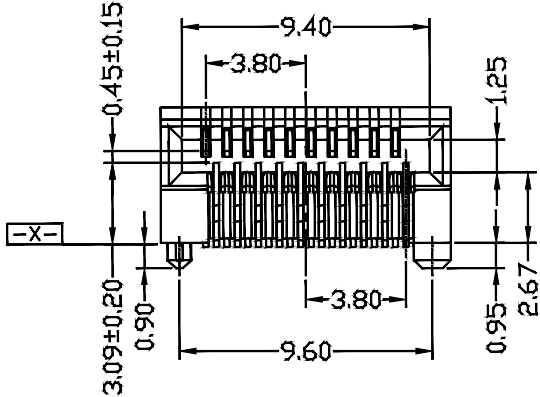
REVISION RECORD 修改紀錄					
REV	ECD	DESCRIPTION	DATE	DRFT	CHKD

RoHS



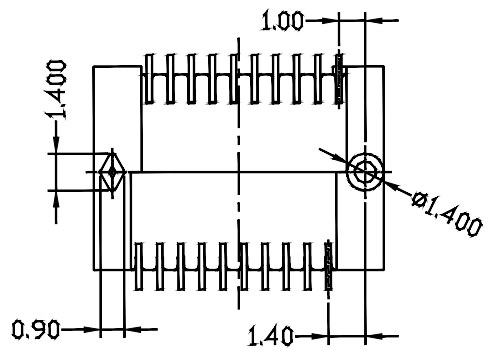
RECOMMENDED PCB LAYOUT (Top View)
Tolerance: ±0.05

- NOTES:
- ELECTRICAL:
- VOLTAGE RATING: 30 VAC;
 - CURRENT RATING: 0.5 A;
 - CONTACT RESISTANCE: 30 MILLIOHMS MAX;
 - DIELECTRIC WITHSTANDING VOLTAGE: 300 VDC MIN;
 - INSULATION RESISTANCE: 1000 MEGAOHMS MIN AT 100 VDC FOR 1 MINUTE.
- MATERIAL:
- HOUSING: LCP UL94V-0 COLOR BLACK;
 - CONTACT: PHOSPHOR BRONZE T=0.20MM; CONTACT PLATING: GOLD PLATING ON CONTACT AREA, OVER NICKEL UNDERPLATING OVERALL;
 - ROHS COMPLIANCE;
 - DURABILITY: 100 CYCLES MIN.
- ENVIRONMENTAL:
- OPERATION TEMPERATURE RANGE: -40°C TO +85°C.
 - STORAGE TEMPERATURE RANGE: -40°C TO +85°C.



PART NUMBER:

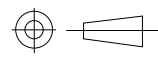
PART NUMBER	GOLD PLATING
ZWSFPC-P001-13	15u"
ZWSFPC-P001-14	30u"



單位: mm	DFTO: Ina	DATE: 2017.05.07
長度公差	角度公差	CHKD: Allen
.0±0.25	0°±5°	DATE: 2017.05.07
.00±0.15		APPVL: W.B.Huang
.000±0.10		DATE: 2017.05.07
	脫模角:	顏色:
		MATERIAL:
		材質
		TREAT:
		處理
		QTY:
		數量
		SCALE:
		比例 2.5:1

ELLAX CORPORATION.

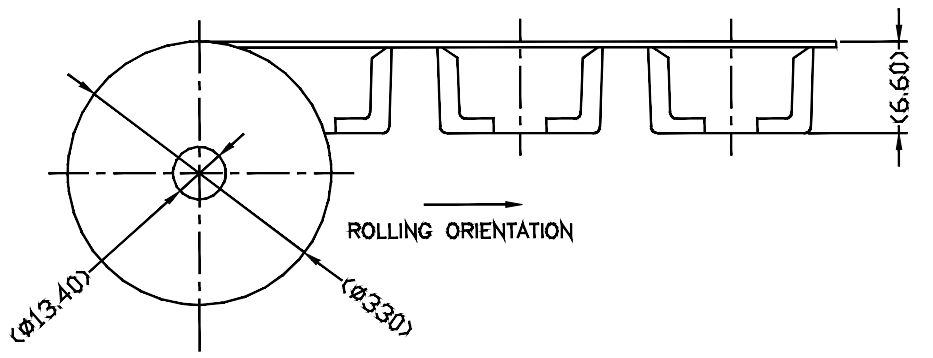
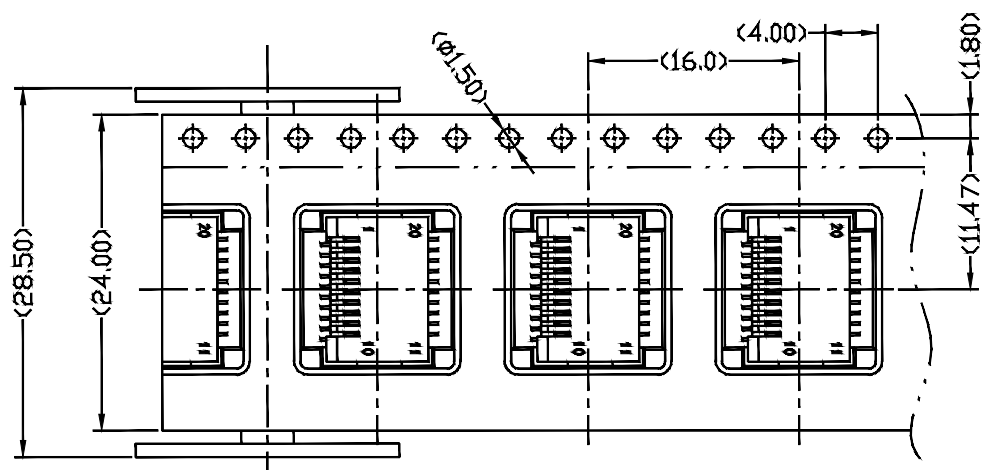
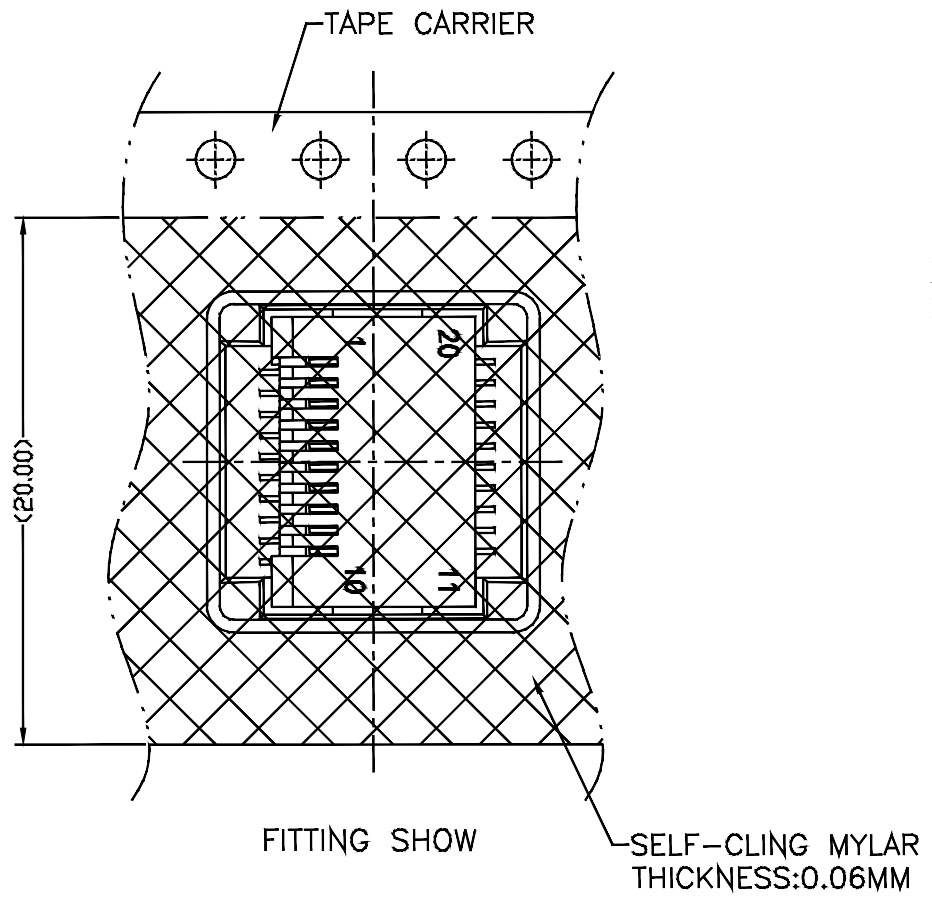
TITLE: SFP+ 1x1 CONNECTOR			
DWG NO.	ELSFP-C-P001-1X	SIZE	REV
DRAWING NO:	ELSFP-C-P001-1X_A	A4	A
PART NO:	零件編號	2 of 1	



THIRD ANGLE PROJECTION

RoHS

REVISION RECORD 修改紀錄					
REV	ECD	DESCRIPTION	DATE	DRFT	CHKD

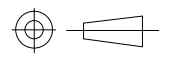


PACKING QUANTITY: 500PCS PER REEL.

單位: mm	DFTO: Ina	DATE: 2017.05.07
長度公差	角度公差	CHKD: Allen
.0±0.25	0°±5°	APPVL: W.B.Huang
.00±0.15		DATE: 2017.05.07
.000±0.10		脫模角:
		顏色:
		MATERIAL:
		材 質
		TREAT:
		處 理
		QTY:
		數 量
		SCALE:
		比 例 2.5 : 1

ELLAX CORPORATION.

TITLE: SFP+ 1x1 CONNECTOR			
DWG NO.	ELSFP-C-P001-1X	SIZE	REV
DRAWING NO:	ELSFP-C-P001-1X_A	A4	A
PART NO:	零件編號	2 of 2	



THIRD ANGLE PROJECTION