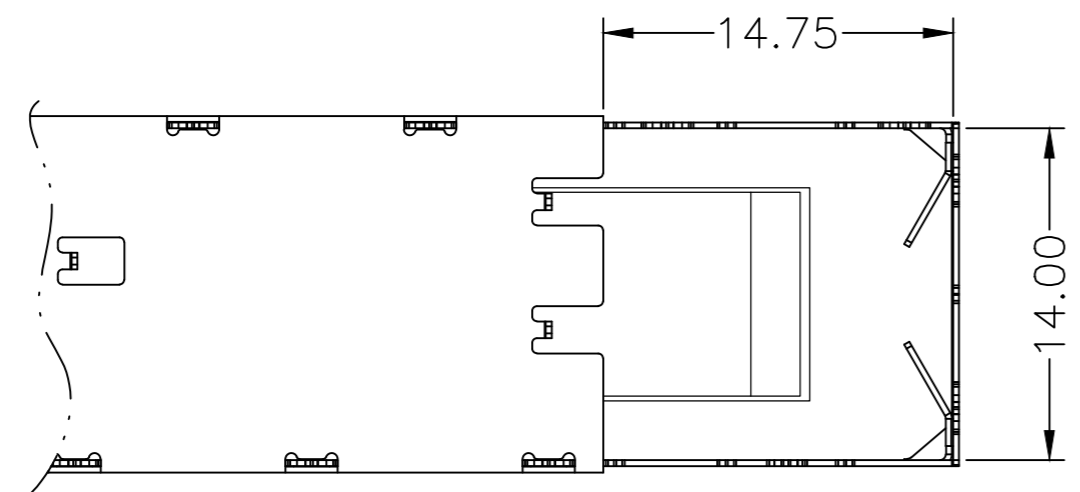
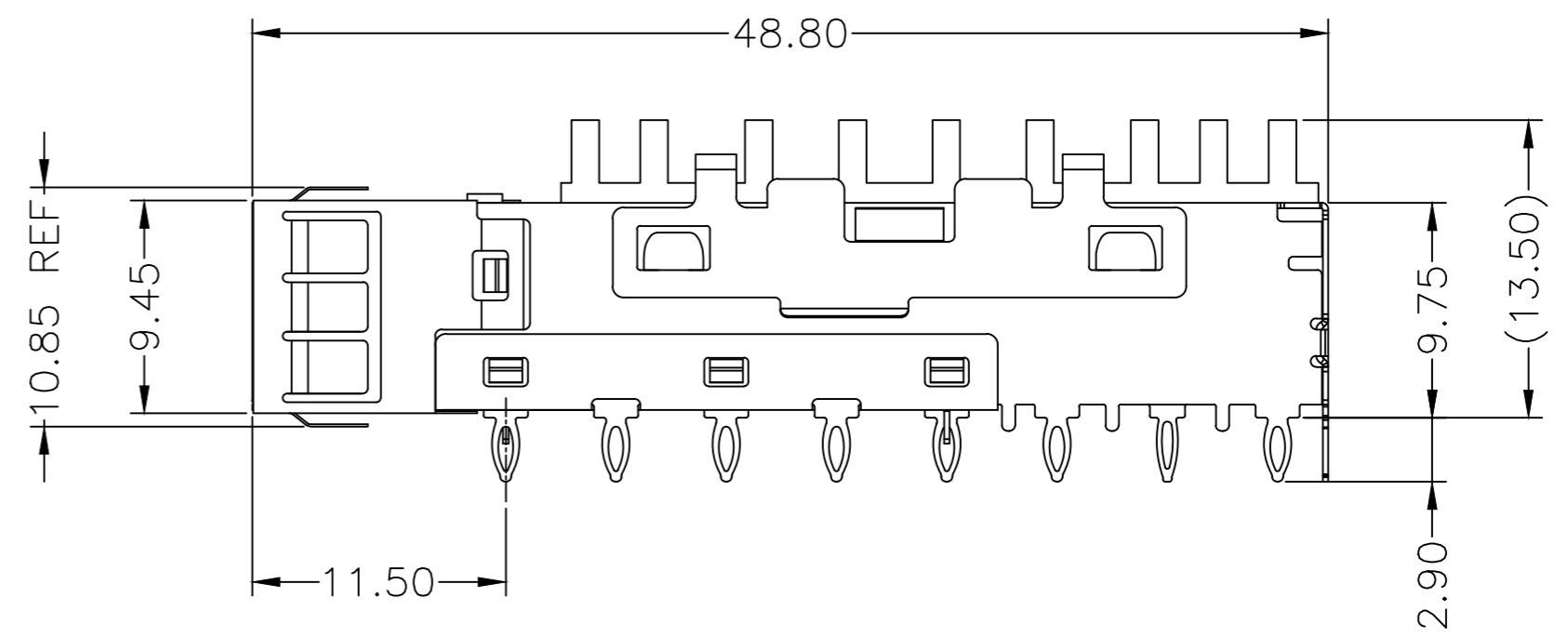
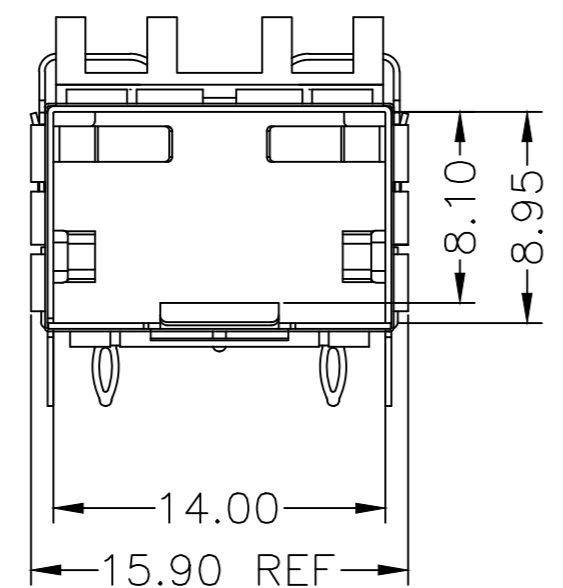
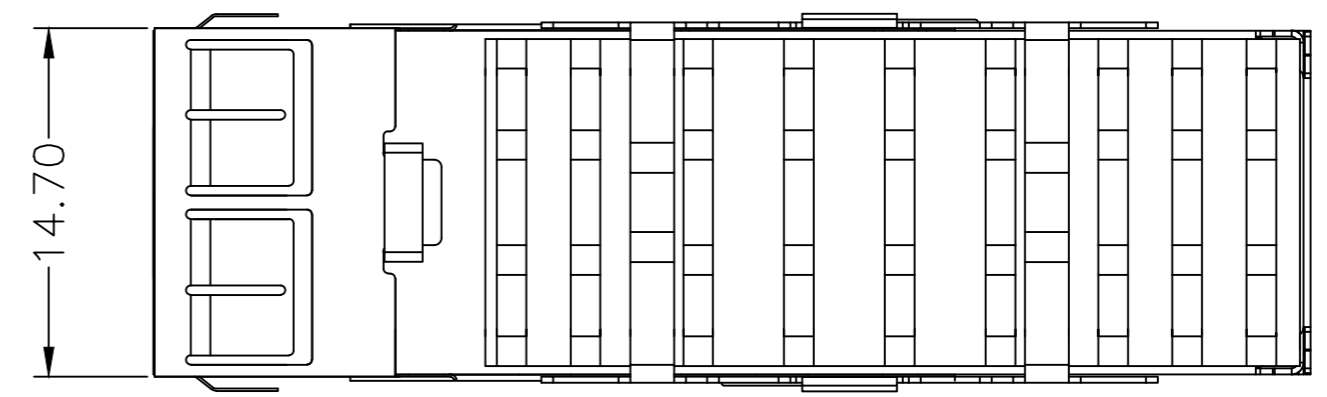


REVISION RECORD 修改紀錄					
REV	ECO	DESCRIPTION	DATE	DRFT	CHKD



BOTTOM VIEW



NOTES:  
 MECHANICAL:  
 TOP CAGE: COPPER ALLOY, THICKNESS 0.25MM.  
 BOTTOM CAGE: STAINLESS STEEL, THICKNESS 0.25MM.  
 EMI TAB: COPPER ALLOY, THICKNESS 0.10MM.  
 CLIP: STAINLESS METAL.  
 HEATSINK: Al 6063 T5.  
 THIS CAGE IS FOR SINGLE SIDE USE ONLY.  
 TEMPERATURE:  
 OPERATION: -40°C~+85°C  
 STORAGE: -40°C~+85°C  
 RoHS COMPLIANCE.

單位: mm		DFTO: Rose	DATE: 2019.11.25
長度公差	角度公差	CHKD: Oliver	DATE: 2019.11.25
.0 ± 0.25	0° ± 5°	APPVL: W.B.Huang	DATE: 2019.11.25
.00 ± 0.15		脫模角:	顏色:
.000 ± 0.10			MATERIAL: 材 質
 THIRD ANGLE PROJECTION		TREAT: 處 理	DWG NO. ELSFPP-MHN2-1N
		QTY: 數 量	DRAWING NO: 圖檔編號 ELSFPP-MHN2-1X
		SCALE: 比 例 1:1	PART NO: 零件編號

**ELLAX CORPORATION**

TITLE: SFSFP+ CAGE 1X1 W/ HEATSINK			
DWG NO.	ELSFPP-MHN2-1N	SIZE	REV
DRAWING NO: 圖檔編號	ELSFPP-MHN2-1X	A4	A
PART NO: 零件編號		1 of 1	

